

AircoHeater

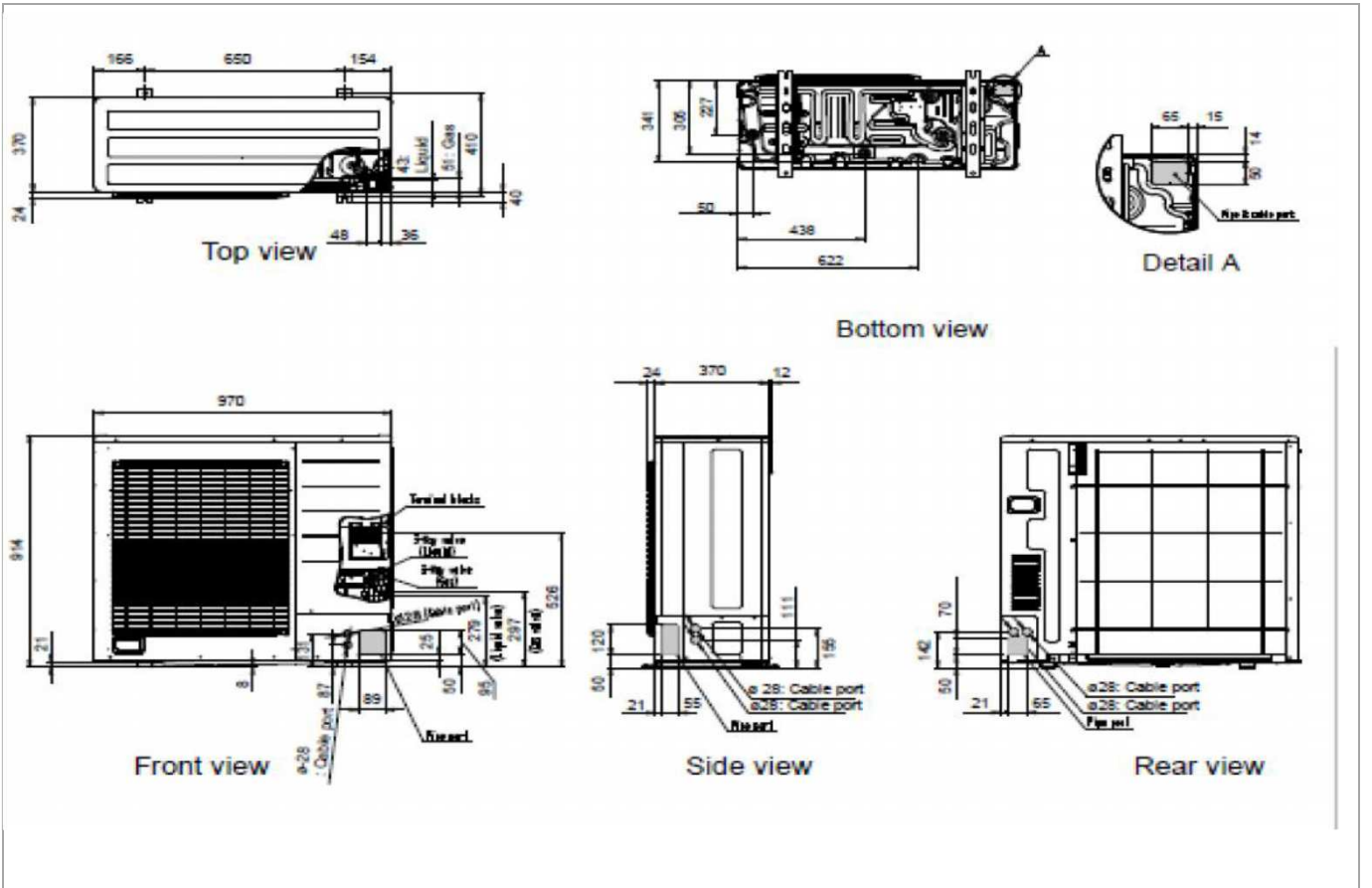


Buitenunit	Type	MSAO45RIY8			Type	Unité extérieure
	Fabriekscode	AOHG45LBT8			Fabriekscode	
Koelmiddel		R410A				Réfrigérant
Verwarming (*)	Vermogen (+7°C)	kW	16,0 (4,1~16,7)	kW	Puissance (+7°C)	Chauffage (*)
	Electr.verm. (+7°C)	kW	5,07	kW	Puiss. absorb.nom (+7°C)	
	COP (+7°C) / SCOP(°)		3,16/n.v.t. / n.a.		COP (+7°C) / SCOP (°)	
	Vermogen (+2°C)	kW	n.v.t. / n.a.	kW	Puissance (+2°C)	
	Electr.verm. (+2°C)	kW	n.v.t. / n.a.	kW	Puiss. absorb. (+2°C)	
	COP (+2°C)		n.v.t. / n.a.		COP (+2°C)	
	verm. max. bij -5°/-10°/-15°C	kW	13,3-11,8-9,6	kW	puiss. max. à -5°/-10°/-15°C	
Koeling (*)	Vermogen	kW	14,0 (3,7~15,0)	kW	Puissance	Refruid. (*)
	Electr.verm.	kW	5,2	kW	Puiss. absorb.nom	
	EER / SEER (°)		2,69 / n.v.t.-n.a.		EER / SEER (°)	
Pdesign	Verw. (Av.)(-10°C) / koelen	kW	n.v.t.-n.a./n.v.t.-n.a.	kW	Chauff. (Av.)(-10°C) / refroid.	Pdesign
Jaarverbruik	Verw. (Av.) / koelen	kWh/jaar	n.v.t.-n.a./n.v.t.-n.a.	kWh/jaar	Chauff. (Av.) / refroid.	Consom. Annuel
Buitendeel	Geluidsdruk (1m)	dB(A)	56	dB(A)	Niv. son. press. (1m)	Unité extérieure
	Geluidsvermogen	dB(A)	-	dB(A)	Niv. son. puis.	
	Debiet	m³/h	4650	m³/h	Débit	
	Compressor		DC Rotary		Compresseur	
	Werkingslim. verwarmen	°C	-15~24	°C	Plage de fonct. chauff.	
	Werkingslim. koelen	°C	-5~46	°C	Plage de fonct. refroid..	
	Hoogte-breedte-lengte	mm	914/970/370	mm	Hauteur/largeur/profond.	
Gewicht	kg	98	kg	Poids		
Elektr.install.	Voeding	V	230V/1F	V	Alimentation	Install. électr.
	Stroom max. verw./koel.	A	22,5/23,1	A	Amp. max chauff. / refroid.	
	Zekering traag	A	25	A	Fusible retardé	
	Hoofdvoeding aanbr.op		Buiten/Ext.		Unité à alimenter	
	Sectie voedingskabel	mm²	3G4,0	mm²	Section câble alimentation	
	Sectie tssn bu en RB box	mm²	4G1,5	mm²	Section entre ext. et RB box.	
	Sectie tssn RB box en bi	mm²	4G1,5	mm²	Section entre RB box. et int.	
Centraal bediening	mm²	3G0,33	mm²	Commande centralisée		
Tech.install.	Expansie		Ext.		Détente	Install. Techn.
	Zuigleiding	Inch	5/8	Inch	diamètre gaz	
	Vloeistofleiding		3/8		diamètre liquide	
	Standaardvulling-afstand	kg	3,45	kg	Charge standard-distance	
	Bijvulling extra 1/4	g/m	21	g/m	Charge supplémentaire 1/4	
	Bijvulling extra 3/8	g/m	58	g/m	Charge supplémentaire 5/8	
	Leidinglengte min-max	m	3-115	m	Longueur min / max	
	Hoogteverschil max	m	30	m	Dénivelé max	
Diam. condensafvoer bi/bu	mm	-	mm	Diam. évac. condensat bi/bu		

(*) gegevens volgens de norm EN14511

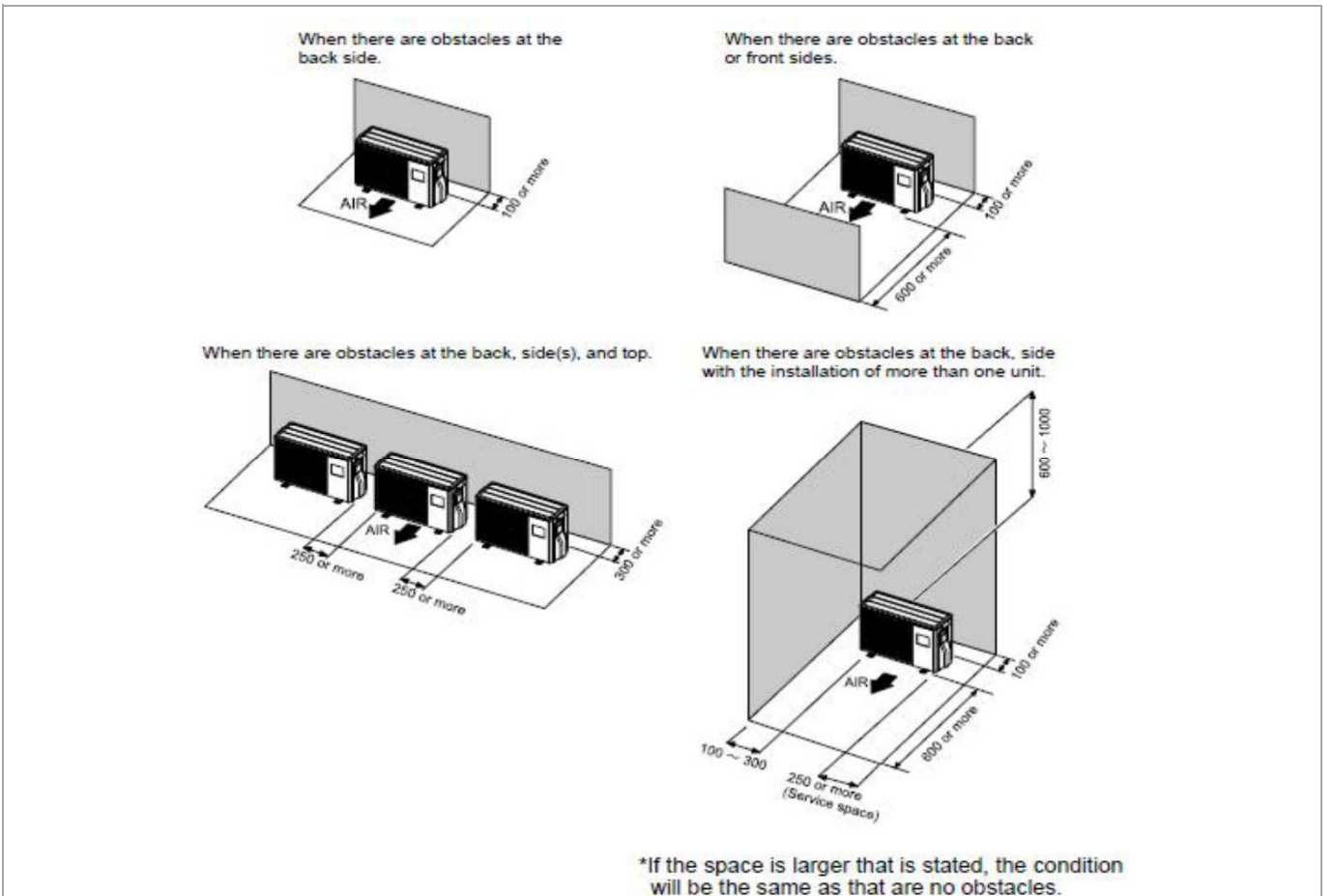
(°) SCOP & SEER based on (EU)626/2011

(*) suivant la norme EN14511

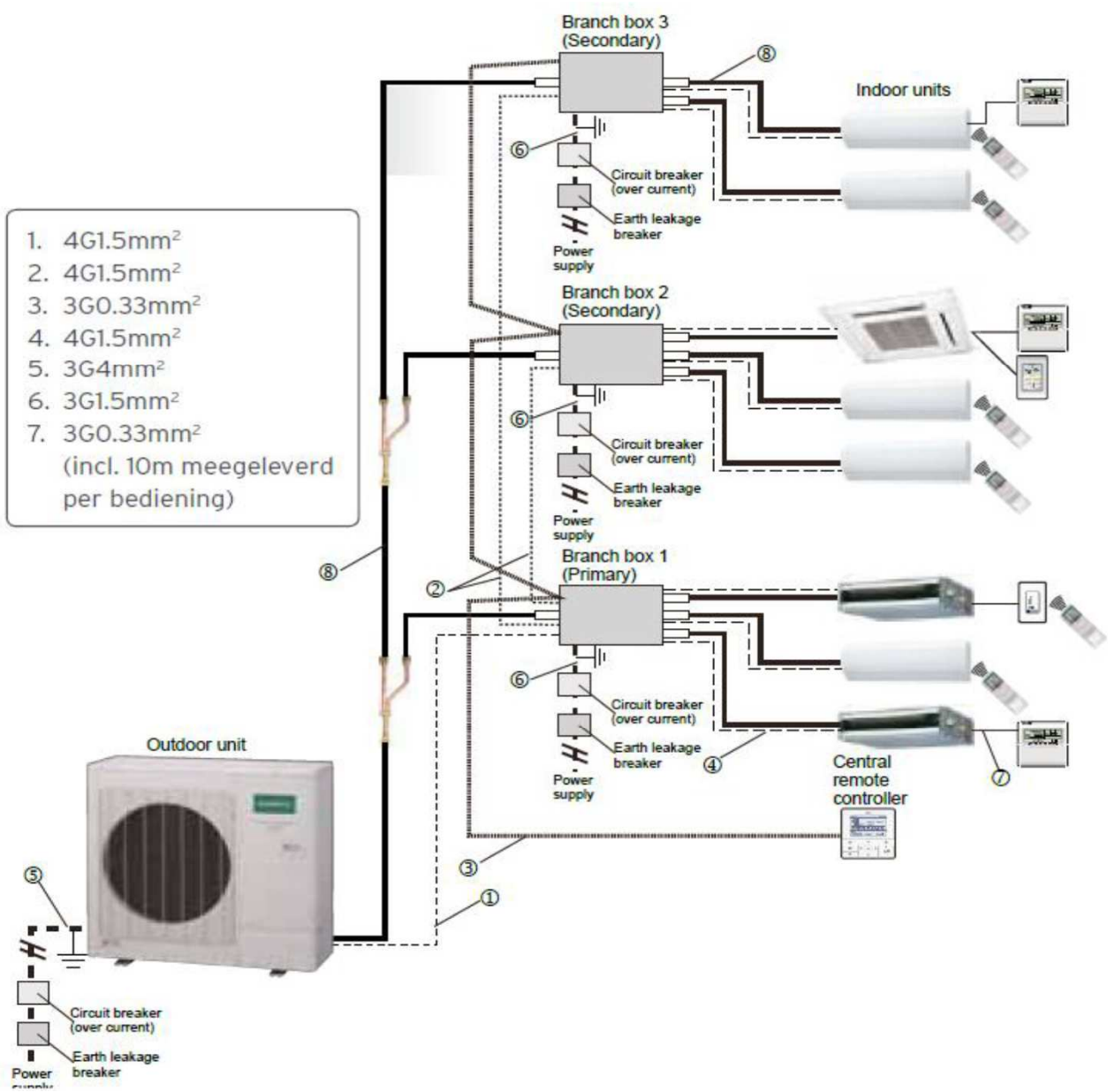


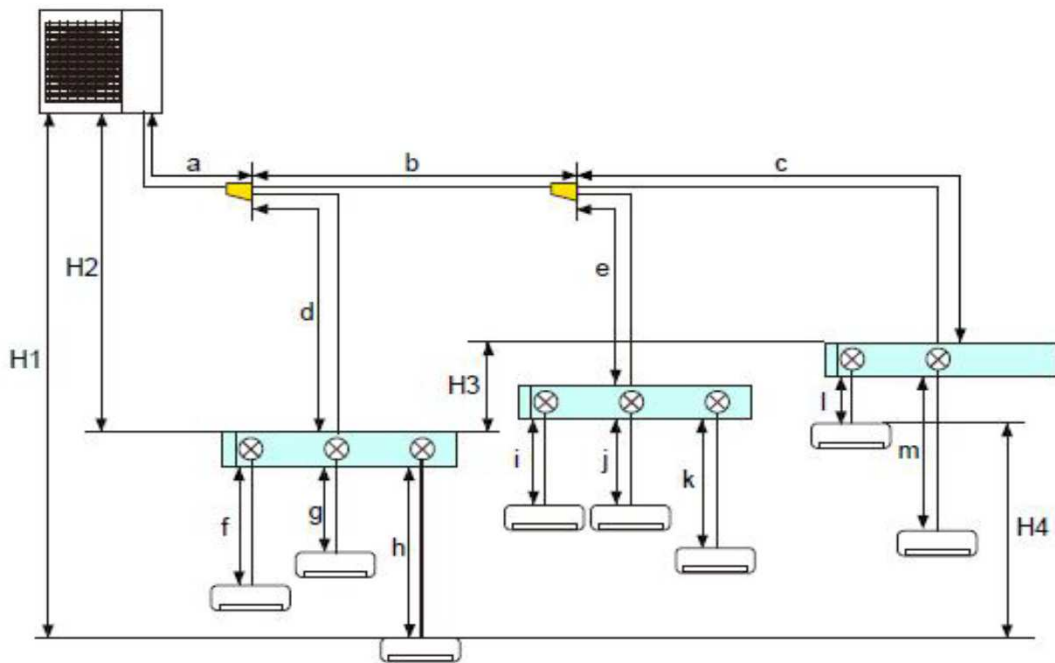
Montage

Montage

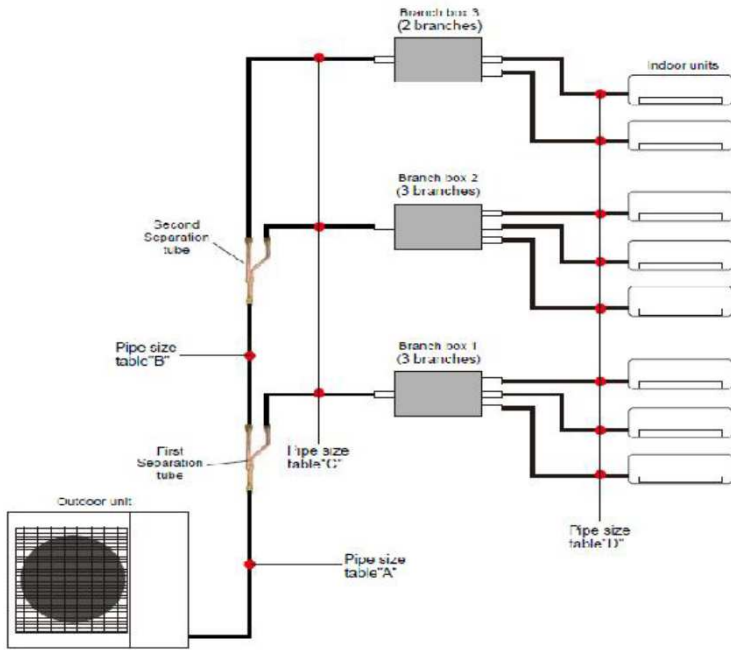


- 1. 4G1.5mm²
 - 2. 4G1.5mm²
 - 3. 3G0.33mm²
 - 4. 4G1.5mm²
 - 5. 3G4mm²
 - 6. 3G1.5mm²
 - 7. 3G0.33mm²
- (incl. 10m meegeleverd per bediening)





		Limitation m	Diagram	
Allowable pipe length (actual pipe length)	Total pipe length	115 or less	Total	
	Between outdoor unit and the farthest indoor unit	70 or less	a + b + c + m	
	Between outdoor unit and branch boxes	55 or less	a + b + c + d + e	
	Between branch box and indoor unit	Total	60 or less	f + g + h + i + j + k + l + m
		Each unit	Between 3 to 15	f, g, h, i, j, k, l, m
	Between outdoor unit and the first separation tube	5 or more	a	
Between outdoor unit and branch box (When there is no separation tube)	a + d			
Allowable height difference	Between outdoor unit and indoor unit	30 or less	H1	
	Between outdoor unit and branch box	30 or less	H2	
	Between branch box and branch box	15 or less	H3	
	Between indoor unit and indoor unit	15 or less	H4	



Outside diameter mm (in)	
Liquid pipe	Gas pipe
9.52 (3/8")	15.88 (5/8")

Outside diameter mm (in)	
Liquid pipe	Gas pipe
9.52 (3/8")	15.88 (5/8")

Outside diameter mm (in)	
Liquid pipe	Gas pipe
9.52 (3/8")	15.88 (5/8")

Model code of indoor unit	Outside diameter mm (in)	
	Liquid pipe	Gas pipe
07, 09, 12	6.35 (1/4")	9.52 (3/8")
14, 18	6.35 (1/4")	12.70 (1/2")
24	6.35 (1/4")	15.88 (5/8")

Bijvulling per meter - charge supplémentaire m

Diameter of liquid pipe unit: mm (in.)	Additional amount for pipe length unit: g/m
ø6.35 (1/4)	21
ø9.52 (3/8)	58

HEATING CAPACITY

Indoor unit connecting capacity (%)	Outdoor temperature		Indoor temperature							
	DB	WB	16.0°C DB		18.0°C DB		20.0°C DB		24.0°C DB	
	°C	°C	TC	IP	TC	IP	TC	IP	TC	IP
130	-15.0	-16.0	12.0	5.59	11.5	5.61	11.2	5.64	10.6	5.69
	-10.0	-11.0	15.0	5.66	14.7	5.67	14.5	5.69	14.1	5.71
	-5.0	-7.0	15.8	5.76	15.6	5.77	15.4	5.79	15.2	5.81
	0.0	-2.0	17.0	5.86	16.7	5.88	16.5	5.90	16.3	5.91
	5.0	3.0	18.0	5.93	17.8	5.95	17.6	5.97	17.4	5.98
	7.0	6.0	19.0	5.98	18.7	5.98	18.4	5.98	18.2	5.98
	10.0	8.0	19.7	5.98	19.5	5.98	19.3	5.98	19.1	5.98
	15.0	10.0	20.4	5.98	20.2	5.98	20.0	5.98	19.8	5.98
20.0	15.0	20.7	5.98	20.5	5.98	20.4	5.98	20.1	5.98	
120	-15.0	-16.0	11.4	5.57	11.0	5.58	10.6	5.60	10.2	5.62
	-10.0	-11.0	14.5	5.62	14.3	5.64	14.0	5.66	13.7	5.68
	-5.0	-7.0	15.6	5.71	15.4	5.74	15.1	5.77	14.9	5.79
	0.0	-2.0	16.8	5.80	16.5	5.82	16.3	5.86	16.1	5.88
	5.0	3.0	17.8	5.92	17.6	5.93	17.4	5.95	17.2	5.96
	7.0	6.0	18.7	5.98	18.5	5.98	18.2	5.98	18.0	5.98
	10.0	8.0	19.4	5.98	19.1	5.98	18.9	5.98	18.7	5.98
	15.0	10.0	20.1	5.10	19.9	5.22	19.6	5.45	19.4	5.84
20.0	15.0	20.4	4.37	20.2	4.44	20.1	4.73	19.9	5.05	
110	-15.0	-16.0	11.0	5.55	10.5	5.57	10.0	5.59	9.7	5.60
	-10.0	-11.0	13.7	5.59	13.5	5.61	13.3	5.63	13.1	5.65
	-5.0	-7.0	14.8	5.56	14.6	5.71	14.4	5.74	14.2	5.73
	0.0	-2.0	15.9	5.52	15.7	5.79	15.5	5.84	15.3	5.85
	5.0	3.0	16.9	5.04	16.7	5.22	16.4	5.36	16.2	5.55
	7.0	6.0	17.8	4.75	17.6	5.00	17.4	5.30	17.2	5.37
	10.0	8.0	18.5	4.63	18.2	4.89	18.0	5.18	17.8	5.27
	15.0	10.0	19.4	4.40	19.1	4.66	18.8	4.88	18.5	5.03
20.0	15.0	19.9	4.23	19.6	4.43	19.4	4.61	19.2	4.72	
100	-15.0	-16.0	10.5	5.55	10.0	5.52	9.6	5.50	9.2	5.48
	-10.0	-11.0	12.8	5.60	12.2	5.61	11.8	5.62	11.3	5.64
	-5.0	-7.0	14.4	5.70	13.8	5.78	13.3	5.75	12.9	5.72
	0.0	-2.0	15.7	5.76	15.1	5.78	14.5	5.74	13.8	5.68
	5.0	3.0	17.0	5.76	16.2	5.61	15.0	5.23	14.0	4.92
	7.0	6.0	18.5	5.70	17.4	5.35	16.0	5.07	14.5	4.55
	10.0	8.0	18.6	5.56	17.5	5.25	16.2	4.80	14.7	4.53
	15.0	10.0	18.8	5.19	17.6	4.80	16.4	4.61	15.0	4.33
20.0	15.0	19.0	4.63	17.8	4.45	16.7	4.36	15.4	4.08	
90	-15.0	-16.0	10.2	5.45	9.7	5.41	9.4	5.38	9.1	5.32
	-10.0	-11.0	12.1	5.53	11.7	5.36	11.4	5.20	11.1	5.17
	-5.0	-7.0	13.0	5.55	12.2	5.29	12.0	5.15	11.7	5.08
	0.0	-2.0	14.1	5.30	13.0	4.96	12.6	4.84	12.4	4.77
	5.0	3.0	15.2	5.17	14.1	4.71	13.7	4.55	12.9	4.46
	7.0	6.0	16.4	5.02	15.1	4.65	14.2	4.36	13.3	4.16
	10.0	8.0	16.6	4.86	15.2	4.54	14.9	4.14	13.7	3.95
	15.0	10.0	17.1	4.47	16.0	4.11	15.5	3.92	14.0	3.77
20.0	15.0	17.5	4.14	16.6	3.83	16.2	3.73	14.4	3.53	
80	-15.0	-16.0	9.3	5.22	9.2	5.15	9.1	5.12	9.0	5.08
	-10.0	-11.0	10.7	5.01	10.3	4.98	9.9	4.95	9.7	4.92
	-5.0	-7.0	11.3	4.86	10.9	4.81	10.6	4.71	10.3	4.66
	0.0	-2.0	12.4	4.48	11.9	4.40	11.3	4.32	10.9	4.26
	5.0	3.0	13.4	4.17	12.7	4.10	12.0	4.06	11.4	3.81
	7.0	6.0	14.5	3.99	13.7	3.91	12.7	3.85	12.0	3.54
	10.0	8.0	14.8	3.95	13.9	3.84	13.1	3.82	12.3	3.50
	15.0	10.0	15.3	3.86	14.5	3.74	13.9	3.70	12.7	3.45
20.0	15.0	15.7	3.65	15.1	3.56	14.6	3.55	13.4	3.22	

COOLING CAPACITY

Indoor unit connecting capacity (%)	Outdoor temperature (°C)	Indoor temperature									
		21.0°CDB		23.0°CDB		27.0°CDB		29.0°CDB		32.0°CDB	
		15.0°CWB		16.0°CWB		19.0°CWB		21.0°CWB		23.0°CWB	
		TC	IP	TC	IP	TC	IP	TC	IP	TC	IP
130	-5.0	16.7	2.80	17.5	2.85	18.4	2.90	19.5	2.95	20.6	3.00
	0.0	16.7	2.90	17.5	3.00	18.4	3.05	19.5	3.10	20.6	3.15
	5.0	16.7	2.95	17.5	3.05	18.4	3.10	19.5	3.15	20.6	3.20
	10.0	16.7	3.10	17.5	3.25	18.4	3.30	19.5	3.35	20.6	3.40
	15.0	16.7	3.40	17.5	3.55	18.4	3.60	19.5	3.65	20.6	3.70
	20.0	16.7	4.25	17.5	4.35	18.4	4.45	19.5	4.45	20.0	4.50
	25.0	15.8	4.80	16.5	5.15	18.0	5.20	19.0	5.20	19.5	5.25
	30.0	14.5	5.11	15.7	5.49	16.6	5.55	18.3	5.61	18.8	5.68
	35.0	13.6	5.40	14.3	5.85	15.7	5.87	16.6	5.93	17.0	5.98
120	40.0	12.3	5.50	13.0	5.90	14.0	5.96	14.5	5.98	15.0	5.98
	46.0	11.0	5.01	12.0	5.06	12.3	5.15	13.1	5.20	13.5	5.30
	-5.0	15.6	2.50	16.5	2.55	17.5	2.65	19.0	2.75	20.1	2.80
	0.0	15.6	2.56	16.5	2.75	17.5	2.80	19.0	2.90	20.1	2.95
	5.0	15.6	2.61	16.5	2.85	17.5	2.90	19.0	3.05	20.1	3.10
	10.0	15.6	2.70	16.5	2.95	17.5	3.05	19.0	3.05	20.1	3.20
	15.0	15.6	2.90	16.5	3.20	17.5	3.30	19.0	3.35	20.1	3.40
	20.0	15.6	3.55	16.5	3.60	17.5	4.00	19.0	4.05	20.1	4.10
	25.0	14.9	4.20	16.0	4.40	17.0	4.70	18.6	4.80	19.1	4.85
110	30.0	14.0	4.76	15.1	5.13	16.2	5.33	18.0	5.45	18.5	5.51
	35.0	13.2	5.24	14.1	5.79	15.6	5.90	16.2	5.93	16.7	5.96
	40.0	12.2	5.20	12.9	5.90	13.8	5.96	14.4	5.98	15.7	5.98
	46.0	10.8	4.94	11.7	5.06	12.1	5.15	12.9	5.20	13.3	5.28
	-5.0	14.4	2.25	15.5	2.30	16.6	2.45	18.0	2.60	19.6	2.65
	0.0	14.4	2.29	15.5	2.35	16.6	2.55	18.0	2.65	19.6	2.75
	5.0	14.4	2.44	15.5	2.60	16.6	2.65	18.0	2.75	19.6	2.80
	10.0	14.4	2.51	15.5	2.65	16.6	2.80	18.0	2.85	19.6	3.00
	15.0	14.4	2.60	15.5	2.85	16.6	3.05	18.0	3.15	19.6	3.20
100	20.0	14.4	2.95	15.5	3.20	16.6	3.55	18.0	3.65	19.6	3.75
	25.0	13.9	3.50	15.1	3.75	16.3	4.20	17.8	4.40	18.9	4.45
	30.0	13.2	4.30	14.5	4.63	15.8	5.11	17.6	5.22	18.1	5.29
	35.0	12.7	5.05	13.9	5.33	15.5	5.90	15.9	5.93	16.7	5.96
	40.0	11.7	5.00	12.7	5.90	13.5	5.96	14.3	5.98	15.4	5.98
	46.0	10.6	4.82	11.4	5.01	11.8	5.11	12.7	5.18	13.1	5.26
	-5.0	13.2	2.00	14.5	2.11	15.6	2.25	17.5	2.40	19.0	2.50
	0.0	13.2	2.08	14.5	2.14	15.6	2.30	17.5	2.45	19.0	2.55
	5.0	13.2	2.12	14.5	2.19	15.6	2.40	17.5	2.50	19.0	2.65
90	10.0	13.2	2.16	14.5	2.25	15.6	2.50	17.5	2.60	19.0	2.80
	15.0	13.2	2.21	14.5	2.40	15.6	2.75	17.5	2.80	19.0	3.00
	20.0	12.9	2.45	14.4	2.63	15.5	3.00	17.4	3.10	19.0	3.20
	25.0	12.6	2.80	14.2	3.20	15.3	3.50	17.2	3.90	18.4	4.00
	30.0	12.2	3.81	13.9	4.15	15.2	4.41	17.0	4.70	17.7	5.00
	35.0	11.7	4.67	13.5	4.95	14.0	5.20	15.6	5.26	16.0	5.34
	40.0	11.2	5.01	12.5	5.12	13.0	5.21	14.2	5.32	15.0	5.41
	46.0	10.4	4.75	11.0	4.97	11.5	5.05	12.5	5.10	12.9	5.15
	-5.0	12.0	1.80	13.5	1.95	14.2	2.20	16.0	2.35	17.5	2.45
80	0.0	12.0	1.86	13.5	2.05	14.2	2.25	16.0	2.40	17.5	2.50
	5.0	12.0	1.94	13.5	2.10	14.2	2.35	16.0	2.45	17.5	2.60
	10.0	12.0	2.01	13.5	2.20	14.2	2.45	16.0	2.55	17.5	2.75
	15.0	12.0	2.10	13.5	2.35	14.2	2.70	16.0	2.75	17.5	2.95
	20.0	12.0	2.38	13.5	2.45	14.2	2.95	16.0	3.05	17.5	3.15
	25.0	12.0	2.75	13.3	2.95	14.0	3.45	15.7	3.70	17.1	3.95
	30.0	11.8	3.35	12.7	3.60	13.5	4.10	15.4	4.27	16.0	4.41
	35.0	11.5	4.10	12.1	4.31	12.7	4.43	14.6	4.66	15.0	4.86
	40.0	10.9	4.61	11.5	4.66	12.1	4.74	13.7	4.87	14.0	4.95
70	46.0	10.0	4.50	10.5	4.55	11.0	4.63	12.0	4.71	12.3	4.80
	-5.0	10.3	1.55	11.4	1.90	12.9	2.15	14.3	2.30	15.5	2.40
	0.0	10.3	1.65	11.4	2.00	12.9	2.20	14.3	2.35	15.5	2.45
	5.0	10.3	1.80	11.4	2.05	12.9	2.30	14.3	2.40	15.5	2.55
	10.0	10.3	1.92	11.4	2.15	12.9	2.40	14.3	2.50	15.5	2.70
	15.0	10.3	2.11	11.4	2.30	12.9	2.65	14.3	2.70	15.5	2.90
	20.0	10.3	2.31	11.4	2.55	12.9	2.90	14.3	3.00	15.5	3.10
	25.0	10.2	2.70	11.3	2.90	12.6	3.19	14.1	3.29	15.3	3.41
	30.0	10.0	3.02	11.2	3.33	12.1	3.42	13.8	3.77	14.4	3.86
60	35.0	9.7	3.38	10.7	3.55	11.3	3.63	13.2	4.20	13.6	4.35
	40.0	9.4	3.91	10.2	4.14	10.7	4.29	12.4	4.36	12.7	4.49
	46.0	9.2	4.15	9.6	4.22	10.0	4.27	11.1	4.32	11.5	4.40