



Monoblok	Reeks	ELFO Energy Sheen			Série	Monobloc
	Fabriekscodel	WSAT-YSi 24.2			Fabriekscodel	
Koelmiddel		R32				Réfrigérant
Erp (*)	$\eta_{s,c}$	%	183	%	$\eta_{s,c}$	Erp (*)
	SEER		4,65		SEER	
Koeling (**)	Vermogen 7-12 / 35°C	kW	65	kW	Puissance	Refruid. (**)
	Electr.verm.	kW	23,55	kW	Puiss. absorb.nom	
	EER / ESEER		2,76		EER / ESEER	
Monoblok	Geluidsdruk (1m)	dB(A)	67	dB(A)	Niv. son. press. (1m)	Monobloc
	Geluidsvermogen	dB	82	dB	Niv. son. puiss.	
	Geluidsdruk (1m) Super Silenced	dB(A)	58	dB(A)	Niv. son. press. (1m) Super Silenced	
	Geluidsvermogen Super Silenced	dB	73	dB	Niv. son. puiss. Super Silenced	
	Debiet	m³/h	25000	m³/h	Débit	
	Werkingslim. Koelen wateruitrede	°C	-8 ~ +20	°C	Plage de fonct. refroid. Sortie d'eau.	
	Werkingslim. Koelen buitentemp.	°C	-20 ~ +48	°C	Plage de fonct. refroid.Temp. Ext.	
	Hoogte-breedte-lengte	mm	1320-1060-2280	mm	Hauteur/largeur/profond.	
	Gewicht	kg	470	kg	Poids	
Communicatie		Modbus RTU		Communication		
Elektr. Install.	Voeding	V	400V/3F+N	V	Alimentation	Install. Électr.
	Stroom max.	A	46	A	Amp. max	
	Zekering traag	A	63	A	Fusible retardé	
	Sectie voedingskabel	mm²	5G10	mm²	Section câble alimentation	
Tech.install.	Waterdebiet (Koeling 7/12°C)	l/s	3,06	l/s	Débit d'eau (Refroidissement 7/12°C)	Install. Techn.
	Drukval over wisselaar (Koeling 7/12°C)	kPa	36	kPa	Perte de press. échangeur (7/12°C)	
	Compressor		Rotary Inverter		Compresseur	
	Aantal compressors		2		Quantité compresseurs	
	Type condensor		Alu Microchannel		Type condenseur	
	Coating condensor		E-coating		Coating condenseur	
	Type wisselaar		Platen/Plaque		Type échangeur	
	Waterinhoud wisselaar	l	5,7	l	Contenu d'eau échangeur	
	Waterinhoud totaal	l	12	l	Contenu d'eau totale	
Min. primaire waterinhoud	l	150	l	Contenu Min. d'eau prim.		
Flow switch ingebouwd		Ja/Oui		Flowswitch intégrée		
Koelmiddel (***)	Koudemiddel		R32		Réfrigérant	Réfrigérant (***)
	GWP-waarde		675		GWP-valeur	
	Standaardvulling	kg	4,5	kg	Charge standard	
	CO ₂ eq. Standaardvulling	ton	3,04	ton	CO ₂ eq. Charge standard	
	Bijvulling	g/m	-	g/m	Charge supplémentaire	
	CO ₂ eq. Bijvulling	ton/m	-	ton/m	CO ₂ -eq Charge supplémentaire	
	Bevat gefluoreerde broeikasgassen		Ja/Oui		Contient des gaz à effet de serre fluorés	
Hermetisch gesloten koelcircuit		Ja/Oui		hermétiquement scellé		

(*) EU 811/2013 (≤70kW en EU 813/2013 (≤400kW)

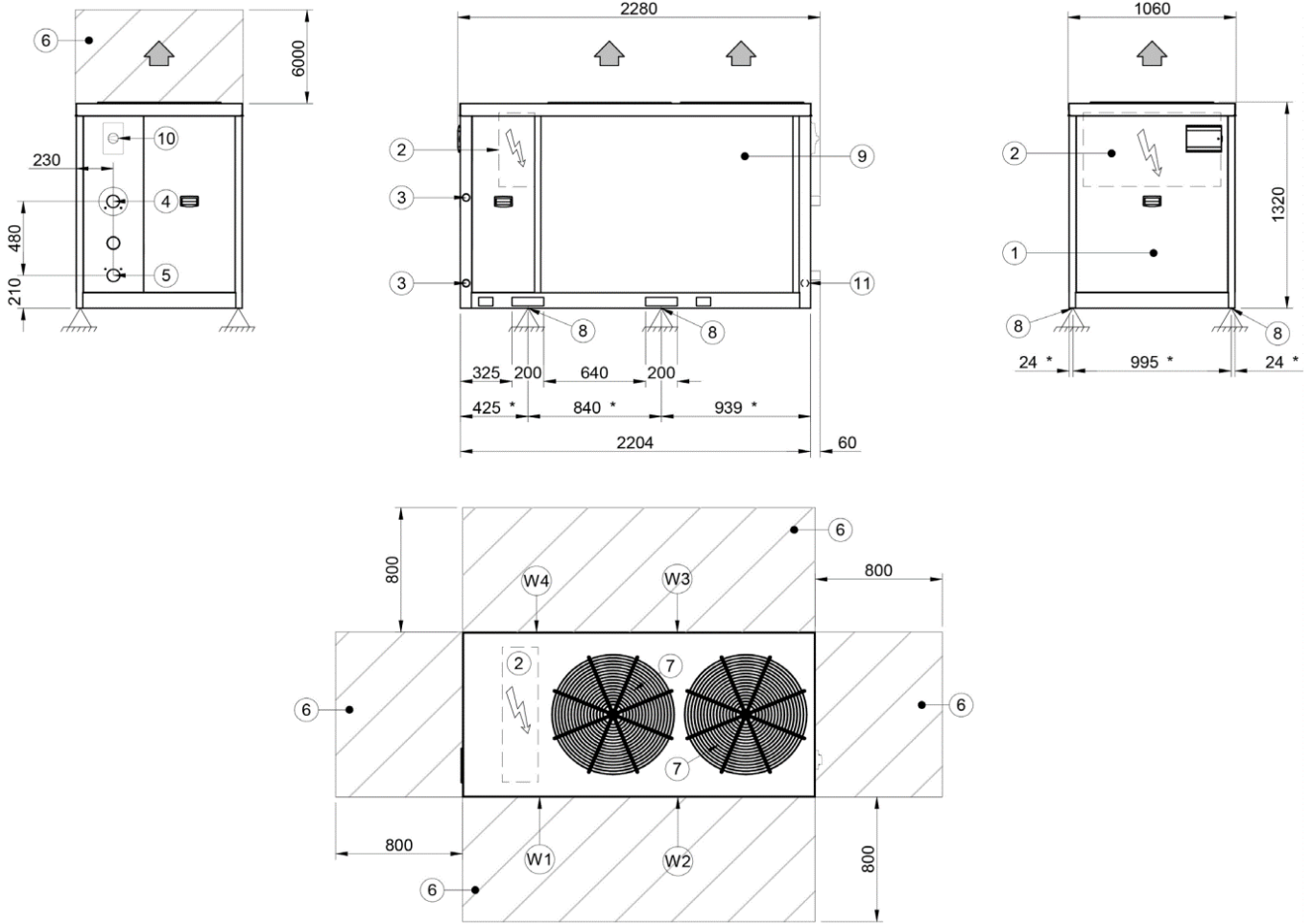
(**) EN 14511:2018

(***) Europese verordening nr 517/2014 betreffende gefluoreerde broeikasgassen

(*) EU 811/2013 (≤70kW et EU 813/2013 (≤400kW)

(**) EN 14511:2018

(***) Le décret Européen n° 517/2014 sur le gaz à effet de serre fluorés

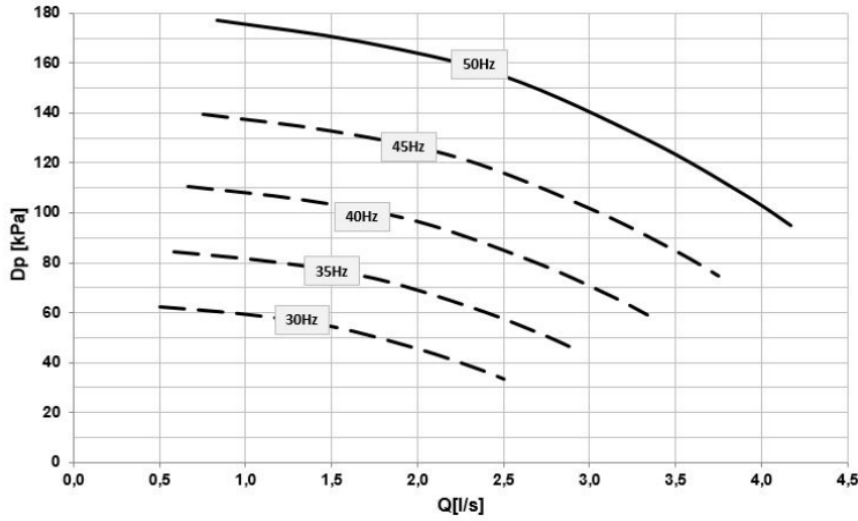


- 1. Compressor enclosure
- 2. Quadro elettrico
- 3. Power input
- 4. Inlet water connection Victaulic 2"
- 5. Outlet water connection Victaulic 2"
- 6. Functional spaces
- 7. Electrical fan
- 8. Unit fixing holes
- 9. External exchanger
- 10. On board main switch (optional)
- 11. Power input main switch (optional)
- * Antivibration mounts position

Lenght	mm	2280
Depth	mm	1060
Height	mm	1320
W1 Support point	kg	141
W2 Support point	kg	94
W3 Support point	kg	94
W4 Support point	kg	141
Operating weight	kg	470
Shipping weight	kg	450

The presence of optional accessories may result in a substantial variation of the weights shown in the table.

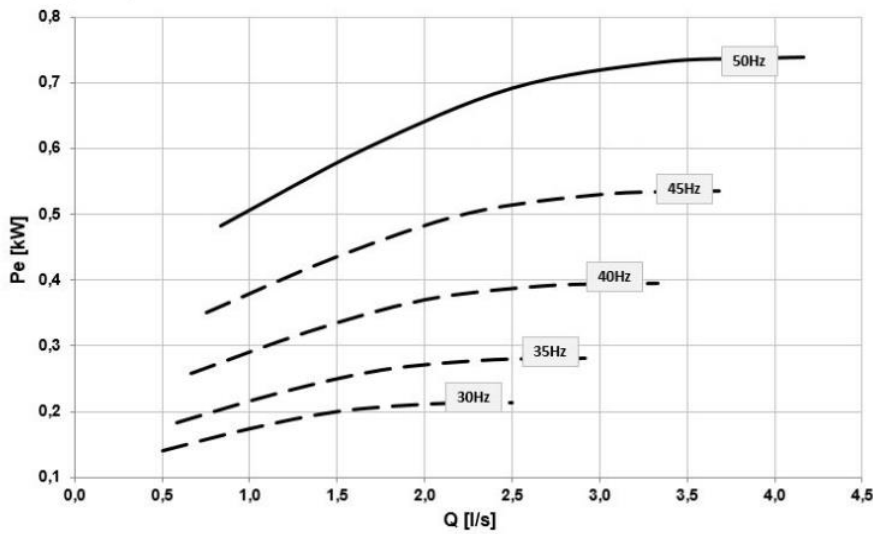
Inverter pump available pressure curves - Size 16.2 - 20.2 - 24.2



DP = Available pressure [kPa]
Q = Water flow-rate [l/s]

- ⚠ Caution: in order to obtain useful head values, the head represented in these diagrams must be lowered by:
- User side exchanger pressure drops
 - IFWX - Steel mesh strainer on the water side” accessory (where present).

Inverter pump absorption curves - Size 16.2 - 20.2 - 24.2



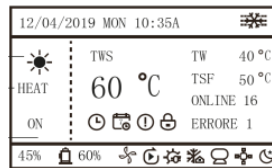
Pe = Power input [kW]
Q = Water flow-rate [l/s]

(°) Enkel indien de circulatiepomp HYGU1V (optie) mee is besteld.

(°) Seulement la pompe de circulation HYGU1V (option) est commandé.

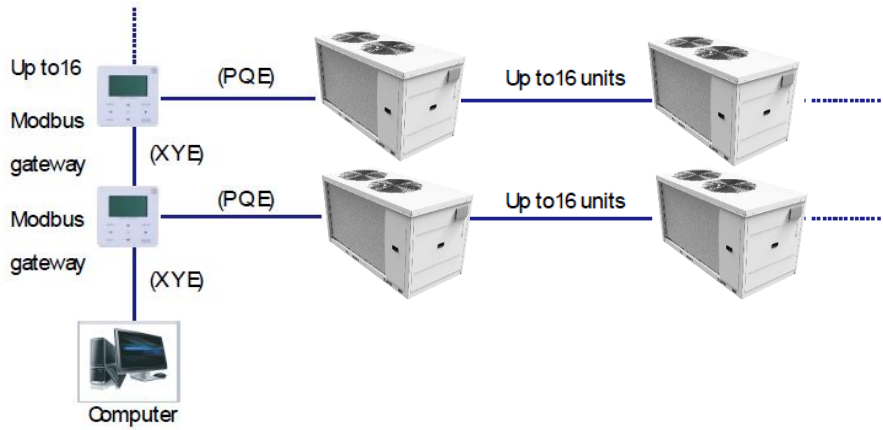


UNLOCK		To lockout / unlock.
▲ ▼		To modify current setpoint
MENU		To open the various menus from the HOME screen.
▲ ▼ ◀ ▶		To move the cursor, change the selection or change the set value. The parameter can be quickly changed with a long press.
OK		To confirm an operation.
ON/OFF		To set the ON / OFF function.
BACK		To return to the previous level. Press to exit the current page and return to the previous page. Long press to return straight to the home screen.



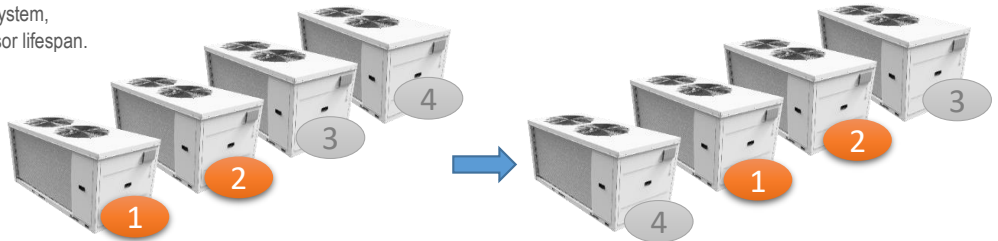
TSF 50 °C	Setpoint
ONLINE 16	Number of parallel units (modular configuration)
	Mode : cooling
OFF	Controller off
	Weekly timer active
45%	Compressor use value
	Compressor in operation
60%	Fan use value
	Fan in operation
	Pump in operation
	Auxiliary electric heater in operation.
	Manual antifreeze or defrosting in operation
	Remote control: the unit is set from the keypad to be controlled by a remote terminal or by a remote switch
	Wired controller
	SILENT mode.
	Key lock
	Timer on
	Alarm: indicator on when there is a fault or a protection is tripped.

Modularity



Duty Cycling

Duty cycling **equalizes** the running time of the outdoor units in a multiple-unit system, significantly extending compressor lifespan.



Back-up

In a multi-unit system, if one module fails, the other modules provide backup so that the system can continue operating.

