

# thercon

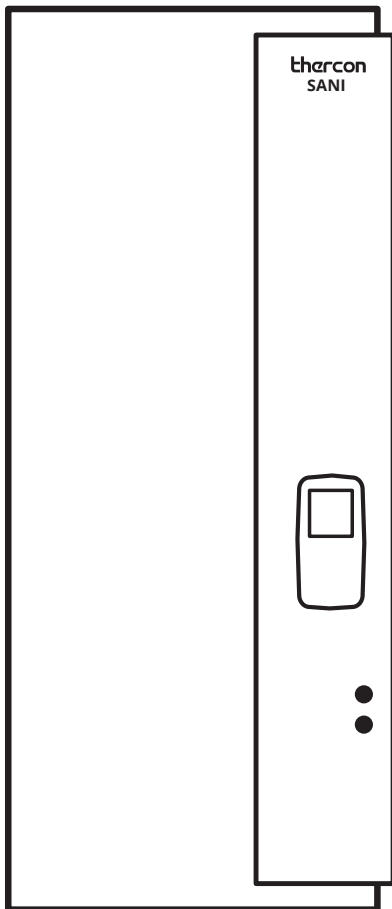
## SANI

### HEAT PUMP WATER HEATER

WALL MODEL

WARMTEPOMPBOILER  
WANDMODEL

CHAUFFE-EAU  
POMPE À CHALEUR  
MODÈLE MURAL



**EN** DOCUMENTATION FOR  
INSTALLATION AND USE

**NL** INSTALLATIE- EN  
GEBRUIKSVOORSCHRIFTEN

**FR** NOTICE D'UTILISATION  
ET D'INSTALLATION

[www.thercon.be](http://www.thercon.be)



## TABLE OF CONTENTS

WARNINGS .....	3
1. Precautions for use.....	7
2. Presentation .....	10
2.1. Safety instructions.....	10
2.2. Package contents .....	10
2.3. Handling.....	10
3. Dimensions.....	11
4. Accessories .....	12
5. SANI Split: Commissioning diagram.....	13
6. Commissioning diagram for SaniClim .....	14
7. SaniClim : Wiring diagram for maintenance .....	15
8. Installation .....	17
8.1. Selecting the installation site.....	17
8.2. Minimum room surface area .....	17
8.3. Grilles: restrictions on the number, size and position.....	18
8.4. Location .....	19
8.5. Mounting the product .....	20
8.6. Hydraulic connection.....	21
8.7. Refrigeration connection .....	23
8.8. Electrical connection .....	23
9. Initial set-up .....	25
9.1. Partial installation.....	26
9.2. Installation settings .....	27
10. Control panel .....	30
11. Displays .....	30
12. Menu .....	31
12.1. Consumption.....	31
12.2. Absence.....	31
12.3. Boost.....	31
12.4. Setpoint management.....	31
12.5. Parameters .....	32
13. Operating modes .....	33
13.1. ECO+ mode .....	33

13.2. Manual mode .....	33
<b>14. Accessing the Expert menu and Emergency mode.....</b>	<b>34</b>
14.1. Electric backup.....	34
14.2. Anti-Legionella .....	34
14.3. External control.....	34
14.4. Diagnostics and checking operation .....	34
14.5. Emergency mode.....	35
14.6. Software.....	35
14.7. Reset.....	35
<b>15. Servicing the water heater .....</b>	<b>36</b>
15.1. User servicing .....	36
15.2. Professional servicing .....	37
<b>16. Troubleshooting .....</b>	<b>39</b>
16.1. Error code display.....	39
16.2. Other malfunctions without displayed error codes.....	43
<b>17. Ohmic values of the sensors according to the temperature .....</b>	<b>46</b>
<b>18. After-Sales service .....</b>	<b>47</b>
<b>19. Technical specifications .....</b>	<b>48</b>
<b>20. Declaration of conformity.....</b>	<b>52</b>
<b>21. Warranty .....</b>	<b>53</b>
21.1. Scope of the warranty .....	53
21.2. Warranty conditions .....	54

**WARNINGS**

This appliance is not intended for use by persons (including children) with reduced physical, sensory or mental capacities, or by persons lacking experience or knowledge, unless they have received adequate supervision or preliminary instructions on how to use the appliance from a person in charge of their safety.

Children should be supervised to ensure that they do not play with the appliance.

This appliance can be used by children aged from 3 years and above and persons with reduced physical, sensory or mental capabilities or lack of experience and knowledge if they have been given supervision or instruction concerning use of the appliance in a safe way and understand the hazards involved. Children must not play with the appliance. Cleaning and user maintenance shall not be undertaken by children without supervision. Children aged from 3 to 8 years are only allowed to operate the tap connected to the water heater.

**INSTALLATION:**

**CAUTION:** Heavy product, handle with care:

1/ Install the appliance in a frost-protected room. If the appliance is damaged because the safety device has been tampered with, it is not covered by the warranty.

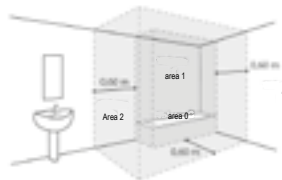
2/ Make sure the partition on which the appliance is mounted can bear the weight of the appliance filled with water.

3/ If the appliance is to be installed in a room or location where the ambient temperature is constantly higher than 35°C, ensure sufficient ventilation.

4/ For bathrooms, do not install the appliance in areas V0, V1 or V2. If there is not enough space, they can be installed in area V2.

5/ Place the appliance in a location with easy access.

6/ Refer to the installation figures in the Installation chapter.



- Fastening a vertical wall-mounted water heater: To facilitate future replacement of the heating element, allow at least 480 mm underneath the end fittings of the water heater's tubes.
- The clearance required to install the appliance correctly is specified in the Installation chapter.
- The floor-standing vertical water heater must be fastened to the floor using a specially designed fastening system.
- If the appliance is situated in a suspended ceiling or attic, or above living space, a drain pan must be installed underneath the water heater. A drain connected to the sewer system is required.
- This product is intended for use at a maximum altitude of 2000 m.
- This water heater is fitted with a thermostat with an operating temperature of above 60°C at its maximum position, capable of reducing the growth of legionella bacteria in the tank. Caution! Above 50°C, water could cause immediate scalding. Check the water temperature before taking a bath or shower.

## HYDRAULIC CONNECTION:

A new safety device which conforms to local standards in force, pressure 0.7 MPa (7 bar) and size XX ¾" in diameter must be installed on the water heater's inlet. This device must be protected from frost.

The pressure relief valve drainage device must be activated on a regular basis in order to remove limescale deposits and to check that it is not blocked.

A pressure reducer (not supplied) is required if the supply pressure is greater than 0.5 MPa (5 bar), to be installed on the main supply pipe.


Connect the safety device to a discharge pipe, kept in the open air, in a frost-free environment, continuously sloping downwards to drain off the heat-expanded water or to allow for drainage of the water heater.

Drainage: Turn off the power and cold water supply, open the hot water taps then operate the safety device's drain valve.

Regularly check there are no leaks in the pipework.

## ELECTRICAL CONNECTION:

- Be sure to turn off the power before removing the cover, to prevent any risk of injury or electric shock.
- Upstream of the unit, the electrical installation must have an all-pole cut-out device (circuit breaker, fuse) compliant with the local installation rules in force (30 mA residual current device).

- If the power cable is damaged, it must be replaced by the manufacturer, its After-Sales service or a similarly qualified professional to prevent any hazards.
- Earthing is mandatory. A special terminal marked  is provided for this purpose.
- Refer to the wiring diagrams in the manual.
- The user manual for this appliance can be obtained from the After-Sales service
- It is important to adhere to the precautions for installation and use defined in this manual, to ensure that the product is working correctly.



## 1. Precautions for use

The installation and service work on the thermodynamic water heaters may present hazards because of the high pressures and live parts.

Thermodynamic water heaters must be installed, commissioned and maintained by trained and qualified professionals only.

Keep the refrigeration lines hermetically sealed (clamped, folded and preferably brazed). Moisture is highly damaging to the operation and service life of the product. In case of contamination, it becomes difficult and sometimes impossible to decontaminate the circuit.

This manual should be kept even after installing the product.

### Installation:

- Dispose of the packaging materials properly. Tear up the plastic packaging and dispose of it in a place where children cannot play with it. Plastic packaging left intact may cause suffocation.
- This appliance does not contain any parts that can be repaired by the user. Contact an installer for any repairs.
- Before carrying out any work, make sure that the main power supply has been deactivated and locked out.
- During installation, the standards in force on the installation site must be complied with, and the manufacturer's installation instructions followed.
- The appliances are not explosion-proof, and must therefore not be installed in an explosive atmosphere.
- If the appliance needs to be moved, contact an installer to have it removed and installed.
- Always use the parts supplied or specified in the manual during installation.

### R32 refrigerant fluid:

- This flammable fluid requires minimum surface area and volume dimensions for the room in which the appliance is installed, stored or used. Make sure that the site application is compatible with the size of the parts being used and the installation's fluid charge (compliance with standards EN 378-1 and IEC 60335-2-40).
- Do not use any substances other than the recommended refrigerant fluid in the appliance.
- Do not release refrigerant fluid into the atmosphere. Ventilate the room in the event of a refrigerant leak during installation. Once installation is complete, there should be no refrigerant leaks in the circuit. An R32 fluid leak combined with an ignition source can result in the release of toxic gases.

- Do not touch the refrigerant fluid if there are leaks on the lines or other parts. Direct contact can cause frostbite.
- Refrigerant fluids may be odourless.
- Comply with the safety and operating rules for R32 fluid.
- Comply with the national gas regulations.
- Do not puncture or burn the appliance.
- An expander installed inside the building must not be reused. The flared union on the pipework must be removed and a new flared union made.
- An expander installed outside the building can be reused without any restrictions.
- Do not use devices other than those recommended by the manufacturer, to speed up the appliance's defrosting or cleaning processes.
- Keep the appliance away from ignition sources or naked flames.

### Electrical connection:

- The electrical installation must be carried out in accordance with the applicable regulations.
- This appliance is designed to operate at a nominal voltage of 230V 50 Hz. The voltage on the appliance's terminals must never drop below 198V or exceed 264V (including during the starting phases).
- The maximum cable length depends on the voltage drop, which must be less than 2 %. Use a larger cable cross-section if the voltage drop is 2 % or more.
- The electrical connections must only be made once all the other installation operations (fastening, assembly, etc.) have been completed.
- Check that the wiring is not subjected to wear, corrosion, excessive pressure, vibrations, sharp edges or any other harmful environmental conditions.
- The contract agreed with the energy provider must be sufficient to cover not only the appliance's power, but also the total power of all appliances likely to be operating simultaneously. If the power is insufficient, check the contractual power value with your energy provider.
- Contact the power network operator for the cable and harmonic current specifications, etc.
- Never use a mains outlet for the power supply.
- Use a dedicated power supply circuit. Do not share the power supply with another appliance.
- Use an independent power supply line protected by an all-pole circuit breaker with contact opening greater than 3 mm to power the appliance.
- Make sure the circuit breaker is positioned in a location where it cannot be started or stopped accidentally by users (adjacent room, etc.). If the electrical panel is located outside, close and lock it so that it cannot be easily accessed.
- Never touch the electrical components immediately after switching off the power supply. This can result in electric shock. After the unit has been powered off, always wait 10 minutes before touching any electrical components. Static electricity present in the human body can damage the components. Discharge any static electricity from your body.

- Incorrect wiring can damage the system as a whole.
- If the voltage is too low or drops during start-up, the appliance may have difficulty starting. In this case, please contact your energy provider.
- Make sure that all cables are secure, that the wiring complies with the current standards, and that no force is being exerted on the terminal connections or cables.

### Refrigeration line connection:

- All refrigeration circuits are susceptible to contamination by dust and moisture. If such contaminants enter the refrigerant circuit, they can compromise the reliability of the units. The unit's refrigeration lines and circuits must be properly contained. In the event of a subsequent failure, if the expert assessment detects the presence of moisture or foreign objects in the compressor oil, the warranty shall be systematically voided.
- Check that the refrigeration lines are properly blanked (plastic plugs or tube ends crimped and brazed). If the plugs need to be removed during the operation (e.g. tube cutting), refit them as soon as possible to prevent contamination of the tube.
- Do not use sealing paste for the refrigeration lines, as this can block or contaminate the interior of the lines. Its use shall void render the appliance's warranty.
- Do not use ordinary mineral oil on flare unions. Use refrigeration oil compatible with R32, ensuring as far as possible that no oil enters the circuit, as this could reduce the equipment's service life.
- Use dry nitrogen to prevent harmful moisture from entering the appliance.
- Do not use old, deformed or discoloured lines: always use brand-new refrigerant-grade lines.

## 2. Presentation

### 2.1. Safety instructions

Installation and set-up work on thermodynamic water heaters may present hazards due to high pressures and live parts.

Thermodynamic water heaters must be installed, commissioned and maintained by trained and qualified professionals only.

### 2.2. Package contents



1 manual



1 pouch with dielectric union and 2 seals for the hot water outlet



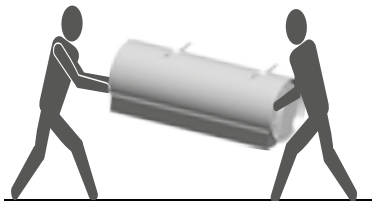
2 insulation sleeves for connecting the refrigeration lines



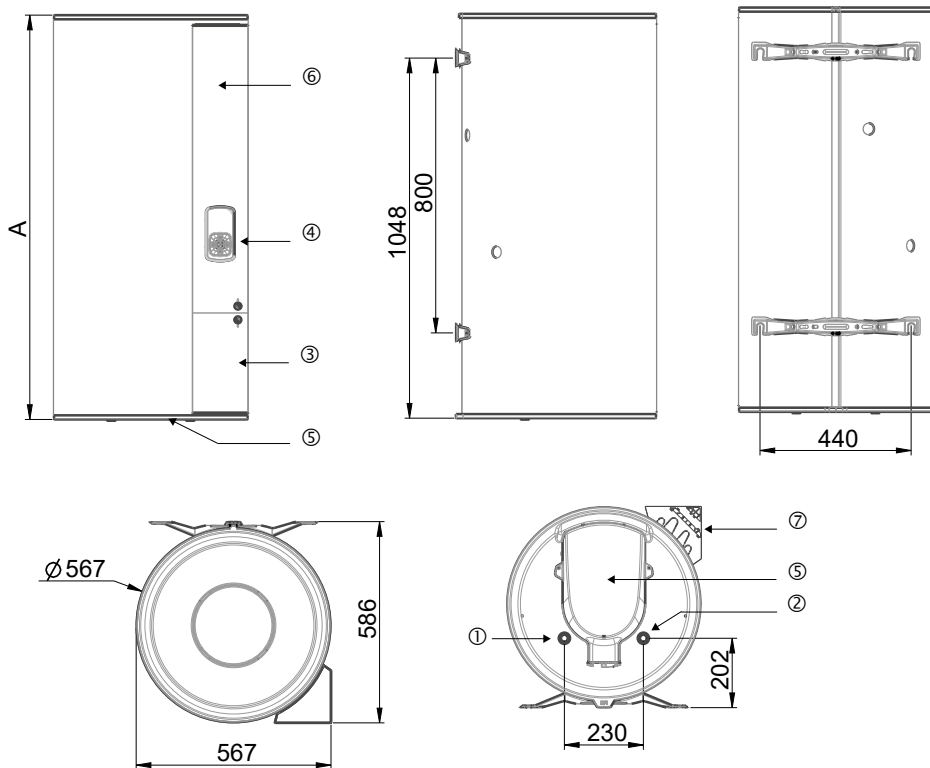
Fixing bracket

### 2.3. Handling

The vertical wall-mounted water heater can be carried using the handles on the ends.



### 3. Dimensions

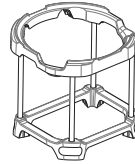


	150 l	200 l
Dimension A	1177	1497

①	3/4" hot water branch connection
②	3/4" cold water branch connection
③	Switch box electrical connection
④	Control system screen
⑤	Electric backup & mechanical safety device location; thermowell sensor position
⑥	Tank top sensor position
⑦	Refrigeration union (inlet: 3/8", outlet: 1/4")

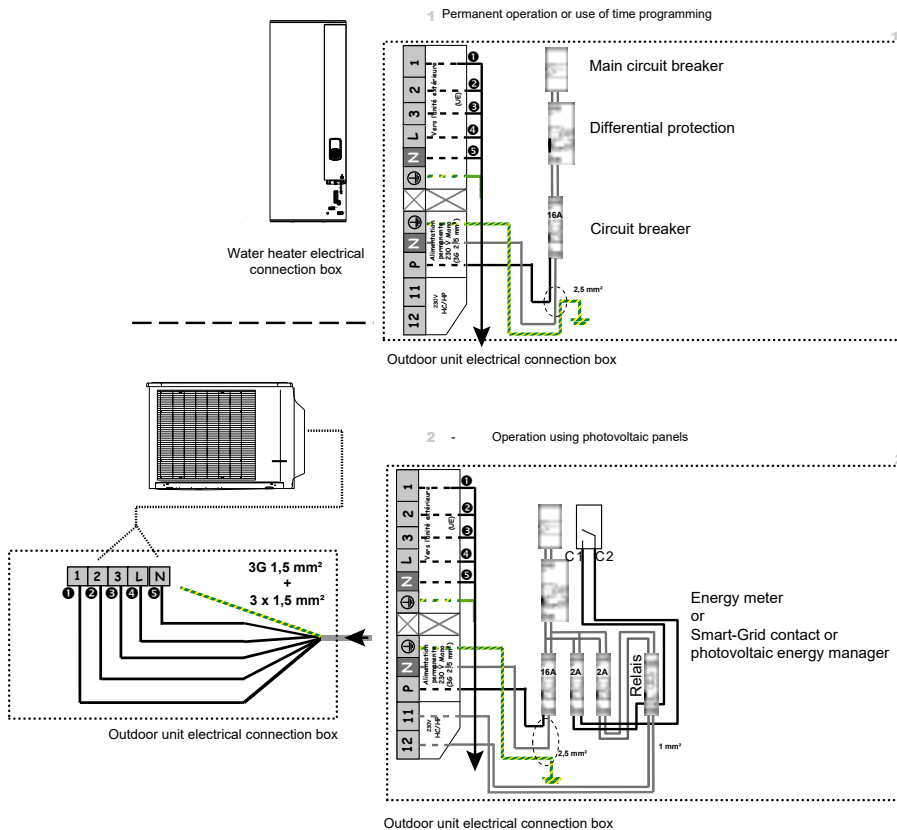
## 4. Accessories

Tripod for vertical wall-mounted water heater

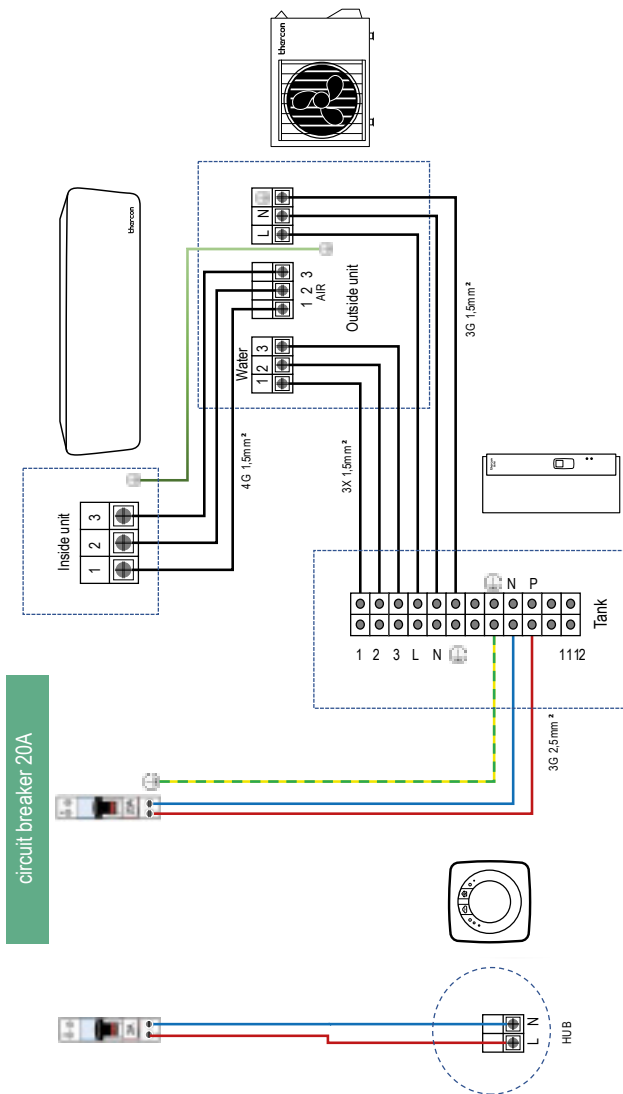


## 5. SANI Split: Commissioning diagram

In order to protect the tank against corrosion, the water heater must be continuously supplied with power.

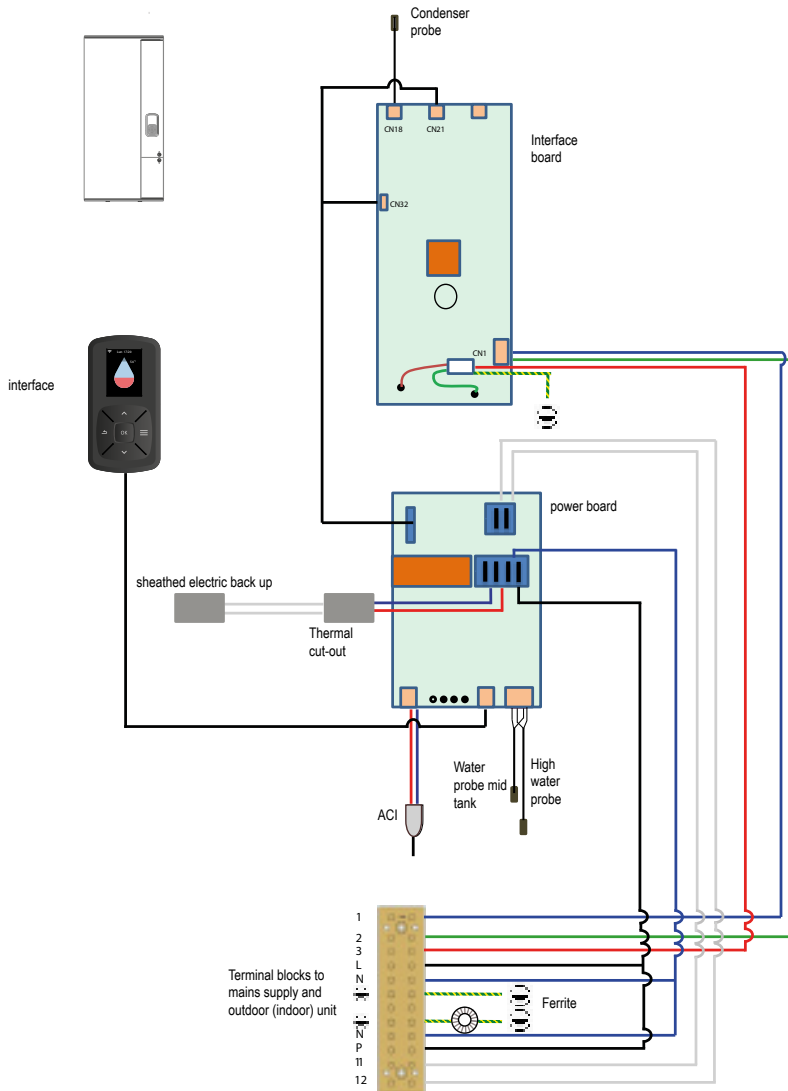


## 6. Commissioning diagram for SaniClim

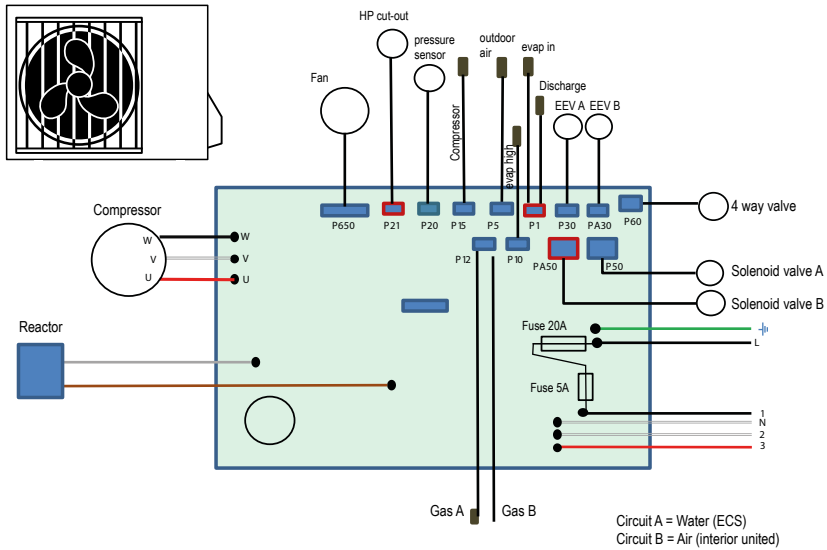
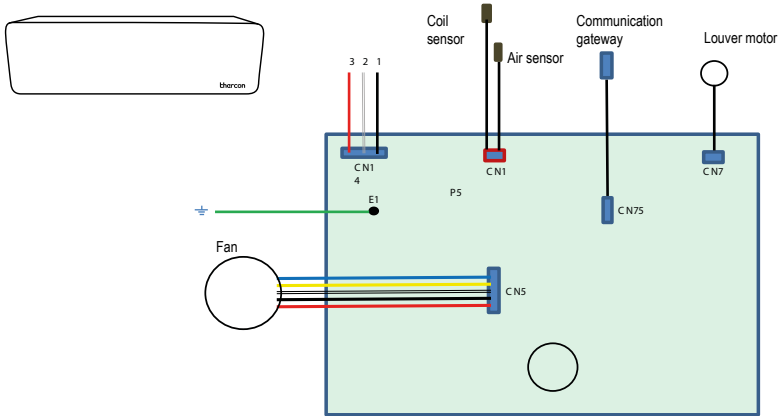




## 7. SaniClim : Wiring diagram for maintenance



ALL BOARDS AND PROBES HAVE A VOLTAGE OF 230 V



ALL BOARDS AND PROBES HAVE A VOLTAGE OF 230 V

## 8. Installation

### 8.1. Selecting the installation site

- Install the water heater in a frost-free location.
- Position it as close as possible to the main loads.
- Insulate its pipework if the appliance is installed outside in uninhabitable areas (storage rooms, garages). The ambient temperature around the water heater must not exceed 40°C.
- Make sure the supporting element can bear the weight of the water heater when full.
- Provide sufficient clearance (500 mm) in front of each electrical component to facilitate periodic servicing of the heating element.
- If the appliance is positioned in a suspended ceiling or attic, or above living space, a drain pan must be installed underneath the water heater. A drain connected to the sewer system is required.

### 8.2. Minimum room surface area

 It is strictly prohibited to install the product in a room with a soundproof (sealed) door, as the product requires natural ventilation via ambient air.

In accordance with standard IEC 60335-2-40 (safety and environmental requirements for heat pumps) covering fluid charges below  $m_1$ , the tank and all refrigeration lines passing through the inhabited space must be installed in premises that comply with the data below.

Room without mechanical ventilation:

- Installation a room not containing any other electrical appliances or switches (restrictions relating to toxicity).
- The surface area of the room must be greater than 1 m<sup>2</sup>.\*

Please note: The above surface area applies to a ceiling height of 2.5 m. If the ceiling height is not 2.5 m, and equal to the H value in metres, multiply the above value by 2.5/H.

- Installation in a room containing at least one other electrical appliance or switch (restrictions relating to flammability)
- The surface area of the room must be greater than 6 m<sup>2</sup>.\*

\*In both cases, if the room has natural ventilation openings or grilles that meet the size and positioning criteria specified in the following section, the surface area of the adjacent room may be taken into account when calculating the minimum surface area.

Room with mechanical ventilation:

In this case, there are no restrictions relating to minimum surface area, provided that the ventilation meets the criteria below:

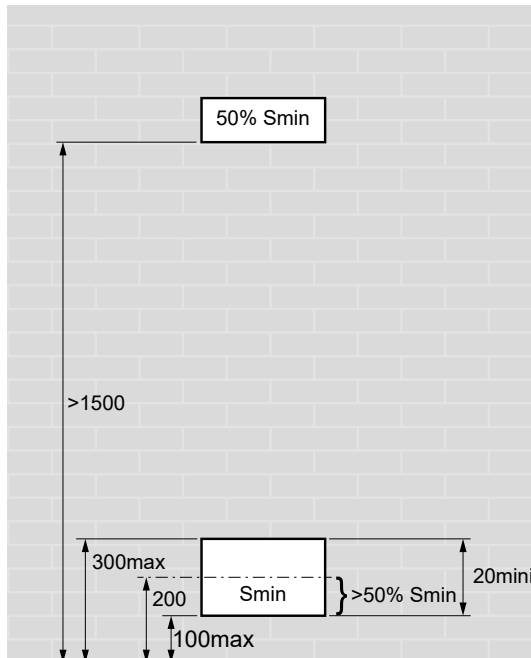
- Ventilation flow rate greater than 60 m<sup>3</sup>/h.
- The lowest point on the extraction outlet is at least 100 mm from the ground.
- The air is ventilated outside, or to a room with a surface area greater than 4 m<sup>2</sup>.

Ventilation may be permanent or activated upon detection of refrigerant fluid.

### 8.3. Grilles: restrictions on the number, size and position

These restrictions are set by standard IEC 60335-2-40, annex GG.

Number and position: the two ventilation grilles must be positioned as shown in the diagram below.



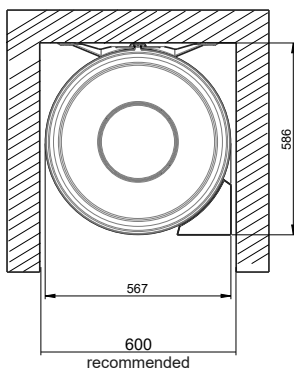
Size of openings: their minimum size  $S_{min}$  in  $cm^2$  depends on the R32 charge and the surface area of the room in which the product is installed. See table below.

Surface area of the room in which the product is installed in $m^2$	Cabinet 0.36-0.42	1	2	3	4	5	6
Minimum surface area ( $S_{min}$ ) of the lower ventilation grille in $cm^2$	300	250	200	150	100	50	-

## 8.4. Location

### Installation in a sealed cabinet prohibited.

Type of wall bearing the suspended water heater: <i>(there is a mounting template printed on the package)</i>	<ul style="list-style-type: none"> <li>Thin walls (plasterboard partition): <math>\varnothing</math> 10 mm threaded rods passing through the wall and connected by profiles or back-plates.</li> <li>Thick solid walls (concrete, stone, brickwork): Install <math>\varnothing</math> 10 mm anchor bolts or drill holes for <math>\varnothing</math> 10 mm wall plugs.</li> <li>Vertical wall-mounted water heaters may be mounted on a tripod, if the partition cannot bear the weight of the appliance. The upper bracket must be secured. Please use the tripod recommended by the manufacturer.</li> </ul>
Height underneath the ceiling:	<ul style="list-style-type: none"> <li>&gt; 1.26 m for the 150 l and 1.57 m for the 200 l</li> </ul>
Recommended location:	<ul style="list-style-type: none"> <li>In heated area</li> </ul>

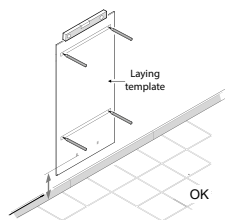
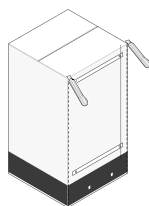


## 8.5. Mounting the product



**A drain pan connected to the sewer system must be installed under the water heater, particularly when it is positioned above inhabited rooms.**

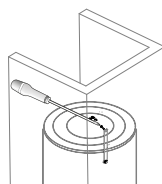
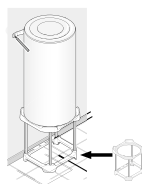
- Cut out the template printed on the box and use it for labelling.



Drill and plug the water heater and use attachments of at least 10 mm in diameter ( $\varnothing$ ) suitable for your wall type (drywall, concrete, brick).

Using a support is compulsory if the wall is not capable of bearing the filled boiler's weight. In this case, it is mandatory to fix the water heater to the wall, either with the upper bracket or with the fixing bracket (which allows it to be integrated into a cupboard with internal dimensions of 600 x 600 mm).

First put the water heater on its support to mark the mounting points.  
Drill the holes.  
Put the water heater back into its position.



**Installation in an unventilated cabinet prohibited**



**Affix the upper bracket**

## 8.6. Hydraulic connection

Before performing the hydraulic connection, the supply lines must be thoroughly cleaned to prevent the risk of metal or other particles entering the water heater tank.



**Installing a recirculation system on the appliance is prohibited. In case of an appliance malfunction on an installation with a recirculation system, the warranty shall be voided (for more information, please contact the After-Sales service).**

If flat seals are used with the unions, do not remove the sealing rings from inside the branch connections (blue for cold water inlet, red for hot water inlet).

The water heater must be connected in accordance with the standards and regulations applicable in the country of installation.

### 8.6.1. Pipe socket markings on the appliance

- Each pipe socket is made from steel and equipped with a  $\varnothing$  20/27 (3/4") gas thread.
- The cold water inlet is marked with a blue collar, and the hot water outlet with a red one.

### 8.6.2. Pipe socket connection

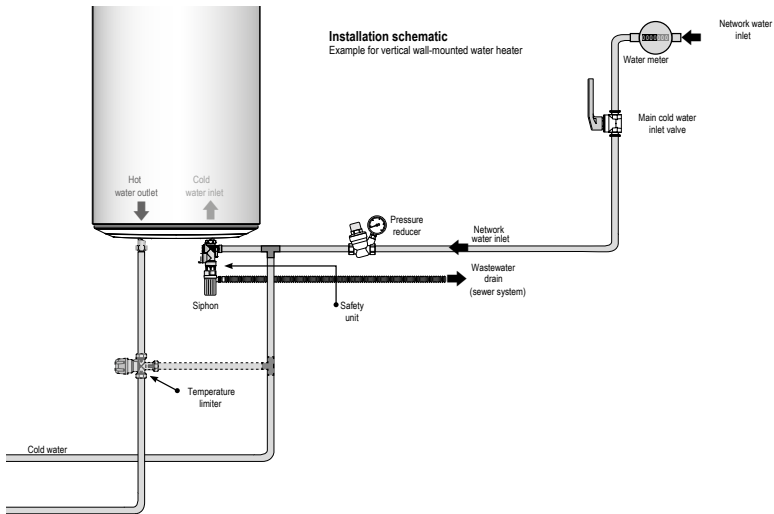
- The pipework may be rigid – usually made from copper (black steel is prohibited) – or flexible (standardised stainless steel braided hose).
- The connection to the hot water outlet must be made using the dielectric union provided, or a cast iron sleeve to prevent corrosion of the pipe socket (direct contact between iron and copper). Brass unions are prohibited here.
- Even if VPE pipes are used, the pipe sockets must be sealed during installation.
- A new safety unit (not provided) must be fitted directly on the water heater's cold water inlet, and meet the applicable standards (in Europe: EN 1487), pressure 0.7 MPa – 7 bar – and size 3/4" (20/27). Connect the safety unit to a drain pipe. This is to remove heat-expanded water, but also for draining the unit. This drain must have a continuous downward slope to the open air, in a frost-free environment.



**Connect the safety unit directly to the water heater's cold water inlet.**



The pressure of the cold water network is usually less than 0.5 MPa - 5 bar. If this is not the case, install a pressure reducer at the water inlet downstream of the meter (recommended setting: 0.35 MPa), never directly on the water heater.



### 8.6.3. Advice and recommendations

If the points of use have not been equipped with thermostatic mixers, install a temperature limiter at the water heater outlet to reduce the risk of scalding:

- For bathrooms, the fixed maximum hot water temperature is 50°C at the points of use
- In all other rooms, the domestic hot water temperature is limited to 60°C at the points of use .



For very hard-water regions ( $T_h > 20^\circ\text{f}$ ), water treatment is recommended. With a water softener, the water hardness must remain above 8°f. The water softener does not give rise to a warranty waiver, provided that it is in accordance with good engineering practices, and regularly checked and serviced.



## 8.7. Refrigeration connection

Refer to the section entitled "refrigerant connection" in the outside unit manual.

## 8.8. Electrical connection

Refer to the wiring diagrams on the back of the cover.



**The heating element must never have a direct power supply.**

**The water heater must be continuously powered to maintain its ACI hybrid protection (anti-corrosion).**

The water heater must be connected to a 230V single-phase AC network. The electrical connection must comply with the installation standards, and with the applicable recommendations in the country where the water heater is installed.

The installation must include:

- An all-pole circuit breaker upstream of the water heater (contact opening at least 3 mm: circuit breaker, fuse).
- Protection by a 30 mA residual current device.



**Earthing is mandatory.**

Under no circumstances must the safety thermostat on the electric backup be repaired outside our factories. **Failure to comply with this clause will void the warranty.**

If the user has a peak / off-peak power supply contract, the control system will maximise off-peak heating times. To facilitate this function, the electrical panel must transmit the peak / off-peak information to the control system (via presence or absence of 230V).

If replacing a water heater connected directly to the peak / off-peak hours contact, the old power supply can be used for this purpose once it has been modified for a continuous power supply (if it is rated 20 Amps and has 3G2.5 mm<sup>2</sup> wiring).

In certain cases, when setting up a second supply line is difficult, the peak / off-peak hours contact can be replaced with the appliance's built-in clock.



**Do not route the water heater/outside unit electrical connection via electrical cabinets or near to mains cables other than the water heater power supply.**

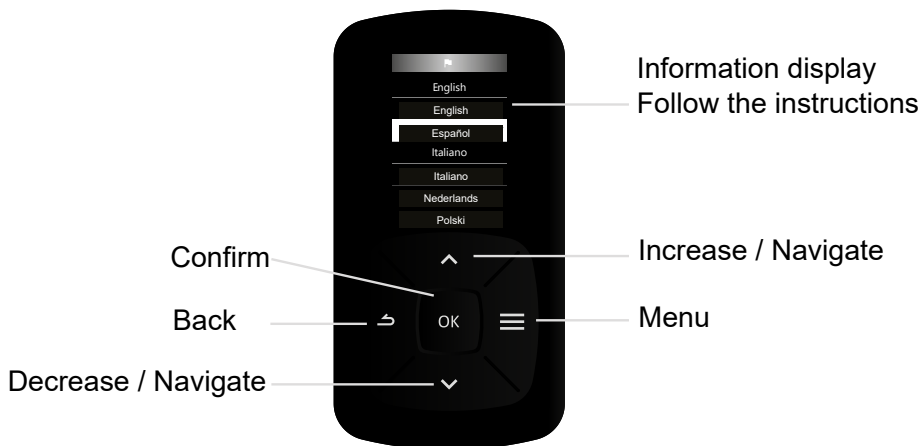
Ensure the insulating sheath on the power cables is not damaged when feeding into the cable clamps.

Also make sure to preserve the insulation on the conductors up to the connection terminal block.

### 8.8.1. Filling the water heater

- ❶ Open the hot water tap(s).
- ❷ Open the cold water tap on the safety unit (ensure the safety unit's drain valve is closed).
- ❸ Close the hot water taps after draining them. The water heater has been filled with water.
- ❹ Check the sealing of the pipe socket connections, and the operation of the hydraulic components, by repeatedly opening the safety unit's drain valve to eliminate any residues from the discharge valve.

## 9. Initial set-up



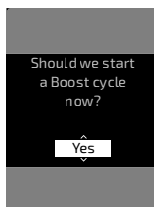
- ❶ Power on the water heater.
- ❷ When you do so for the first time, the setting instructions will be displayed.  
Follow these instructions carefully to apply the settings
  - Language selection
  - Date and time setting
  - Installation type: the tank is compatible with 2 systems:
    - SANI Split
    - SaniClim

select:

<p>"the system must provide hot water only"</p>		<p>"the system must provide hot water + heating/cooling"</p>	
<p>SANI Split</p>	<p>SaniClim</p>	<p><b>For SANI Split, see this manual for set-up</b></p>	<p><b>For SaniClim, refer to the inside unit manual for set-up.</b></p>

- External control
- Heating times
- Electric backup
- Setpoint management
- Refrigerant connection

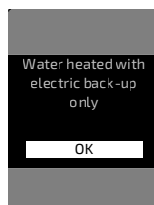
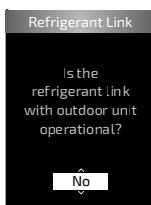
In order to return to the settings later, please refer to the "Installation parameters" section. For initial heating, activate the BOOST function, irrespective of the set operating period.



## 9.1. Partial installation

If the system installation is not complete, i.e. without the outside unit for the SANI Split system, or without the inside unit connection for the SaniClim system, it is possible to run the tank on the electric backup only.

In the configuration tunnel, in the "refrig. line" menu, indicate that the line is non-operational, the system will then run with the electric backup only.

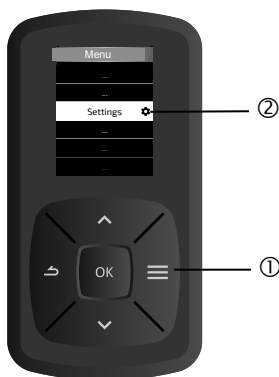


**In this partial installation scenario, the outside unit's valves must not be opened to release fluid.**

## 9.2. Installation settings

*(unless these have been made during the initial set-up)*

To access the various installation settings again:



### 9.2.1. External control

The water heater can be connected to an Off-Peak signal, a photovoltaic own consumption signal or a Smart Grid signal.

- Off-Peak signal:

In this mode, the electric backup can only operate when the signal is present.

There are three possible options for running the heat pump.

- Connecting to a photovoltaic station:

In association with a photovoltaic system, it is possible to store the surplus energy produced by the photovoltaic system, almost free of charge, in the form of hot water in the water heater. Once the photovoltaic installation has sufficient energy, the installation's inverter automatically sends a signal to the thermodynamic water heater, which activates forced operation of the heat pump. If the signal from the inverter is interrupted, the thermodynamic water heater automatically returns to the previously selected operating mode after 10 minutes.

In photovoltaic mode, the operating ranges are fixed. It is possible to select Smart Grid mode to allow the operating ranges to be modified.

Without a photovoltaic signal, the system is authorised to operate using one of the following 2 settings:

- day only, from 10 am to 5 pm
- day and night, if necessary

- **Smart Grid signal:**

The Smart Grid is an intelligent electrical network that can be used to optimise electricity distribution and consumption in real time.

Without a Smart Grid signal, the system is authorised to operate using one of the following 2 settings:

- as required
- during programmed time slots only

With the Smart Grid signal, the system is authorised to start and will operate up to its setpoint.

Configuration set on the control panel	Time slot used	Between terminals 11 and 12	Time slot status	Heating possible	Setpoint
Off-Peak	Time slot activated based on Off-Peak time slot	ON	Off-peak	yes	Normal
		OFF	Peak	no	
PV	Pre-programmed time slots	ON	Within the programmed time slot	yes	Max.
			Outside the programmed time slot	yes	
		OFF	Within the programmed time slot	yes	Normal
			Outside the programmed time slot	no	
Smart Grid	Time slots programmed by the user	ON	Within the programmed time slot	yes	Max.
			Outside the programmed time slot	yes	
		OFF	Within the programmed time slot	yes	Normal
			Outside the programmed time slot	no	

### 9.2.2. Heating times

This parameter defines the permissible time slots for starting the heat pump and the electric backup in accordance with the hot water requirements. It can be configured if there is no connection to the off-peak signal, or to the photovoltaic own consumption signal.

The setting is on a 24/7 basis. A day contains a maximum of 3 time slots, each no shorter than 15 minutes.

### 9.2.3. Electric backup

This menu allows the user to authorise the use of the electric backup:

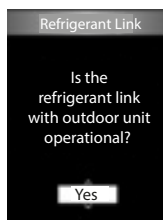
- as little as possible: active if the heat pump is outside the operating range or has an error.
- to secure the quantity of hot water: if the setpoint is not reached, the electric backup will start up.

### 9.2.4. Setpoint management

Two operating modes are available:

- ECO+: the water heater autonomously programs consumption to adapt to the user's needs, and save energy while guaranteeing comfort.
- MANUAL: setpoint set manually (from 50°C to 55°C)

### 9.2.5. Refrigerant connection

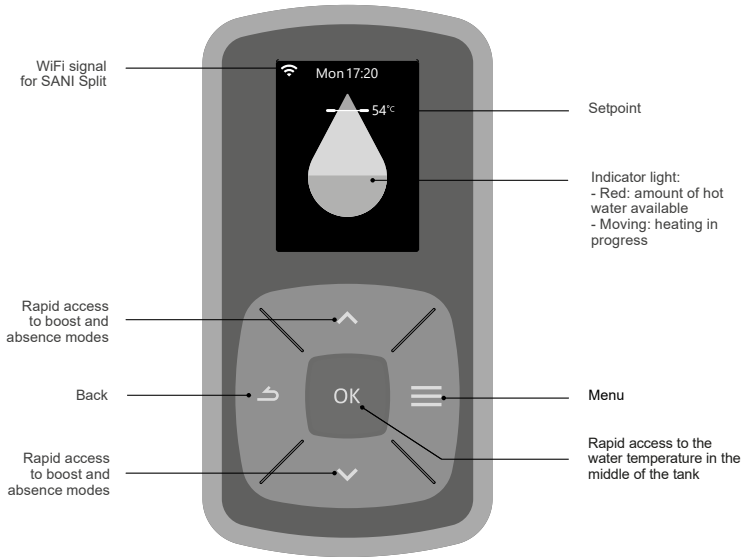


You must answer "YES" to this question only if the following conditions have been met:

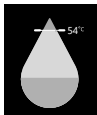
- the inside unit and outside unit have been correctly installed
- the inside unit and outside unit refrigeration lines have been connected
- set-up was performed by a qualified individual.

Otherwise, you must answer "NO".

## 10. Control panel



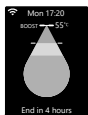
## 11. Displays



Amount of hot water



Absence recorded  
Absence in progress



Boost in progress



Anti-Legionella cycle



## 12. Menu



For the SaniClim system, refer to the inside unit's manual.

### 12.1. Consumption

This menu displays:

- the energy consumption in kWh for hot water production, for the current month, the previous month, the current year and the previous year since set-up;
- the percentage of heat pump operation.

If the date and times are not entered (e.g. due to a power outage), the energy consumptions will not be counted.

### 12.2. Absence

This menu can be used to programme an absence:

- continuous from the current date
- programmed (set the absence start and end dates). The day before you return, an anti-Legionella cycle will be started (only for absences of more than 2 days).

During this absence period, the water temperature will be kept above 15°C.

The function can be interrupted at any time.

### 12.3. Boost

This function:

- is used to temporarily increase hot water production (1 heating cycle);
- can be configured over several days (up to 7).

The heat pump and electric backup are switched on simultaneously. Boost mode takes priority over the other modes. When the set period expires, the water heater will return to its normal mode.

### 12.4. Setpoint management

This function is used to select Eco+ mode or manual mode (see chapter "13. Operating modes", page 33)

This mode can also be used to manually change the setpoint.

## 12.5. Parameters

### 12.5.1. Language



This menu is used to select the display language

### 12.5.2. Date / Time

This menu is used to correct the time: if the power is cut for more than 5 minutes, it may be necessary to update the date and time.

### 12.5.3. Heating times

This menu is used to set the system start time:

- as required: the system can start at any time
- during programmed time slots only: during programmed time slots over 7 days

### 12.5.4. Electric backup

This menu is used to set the electric backup start time:

- as little as possible: the water is heated by the heat pump only, except under extreme air temperature conditions or in case of error.
- to secure the quantity of hot water: the electric backup may start when the heat pump is not heating quickly enough.

### 12.5.5. Connectivity

This unit can be connected and controlled remotely using the Cozytouch app via Wi-Fi.

To connect your unit to the internet, download the app from the App Store and follow the instructions.

During the process, you will need to scan the QR code on the unit.

### 12.5.6. Manual

The QR code displayed on the screen can be used to access the online manual.

### 12.5.7. Expert access

This menu provides access to the advanced information, settings and test functions. See section "14. Accessing the Expert menu and Emergency mode", page 34.

## 13. Operating modes

2 operating modes are available via the "Setpoint management" menu:



### 13.1. ECO+ mode

The water heater autonomously programs consumption to adapt to the user's needs, and save energy while guaranteeing comfort.

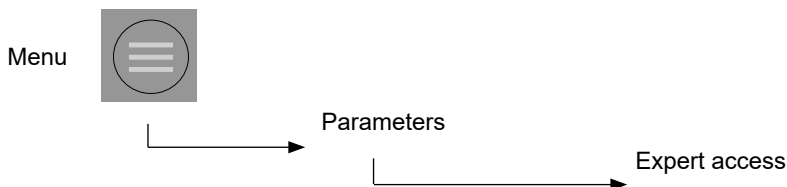
### 13.2. Manual mode

The user can set the water heating temperature to between 50°C and 55°C.

## 14. Accessing the Expert menu and Emergency mode

For the SaniClim system, refer to the inside unit's manual.

To access the Expert menu:



### 14.1. Electric backup

See section “9.2.3. Electric backup”, page 29.

### 14.2. Anti-Legionella

This menu is used to configure the cycle frequency and setpoint (62 °C or 65 °C or 70 °C). If Anti-Legionella mode has been activated, the product will heat up to a raised setpoint for an active operating slot.

### 14.3. External control

See section “9.2.1. External control”, page 27.

### 14.4. Diagnostics and checking operation

This menu is used to access the alarm log, the system data (hot water temperature, heat pump, heat pump status, etc.) and the test mode. The test mode is used to check that the water heater is operating correctly.

- H.P hot mode: outside unit starts up with water heating
- H.P cold mode: outside unit starts in cold mode to perform pump down
- Electric backup: Electric backup activated

In the H.P hot mode test mode, the heat pump starts 3 minutes after powering on only if the following conditions are met:

- water temperature at the top of the tank below 60°C;
- air temperature between -10°C and 37°C;
- no limitation on the heat pump (high pressure, current, etc.)

Otherwise, start the H.P. (cold mode) to check that it is operating correctly.

If the date and times are not entered (e.g. due to a power outage), the errors will not be recorded in the history.

### **14.5. Emergency mode**

This mode is activated in case of malfunction or if the outside unit is not present. This mode only uses the electric backup up to a setpoint of 65°C for the 270 l and 55°C for the 150 l and 200 l.

In this mode, only half of the hot water volume can be guaranteed for the 270 l model.

### **14.6. Software**

This menu displays the software versions for the control panel, control system and Wi-Fi.

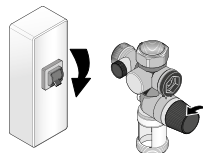
### **14.7. Reset**

This menu is used to return to the default settings and the starting tunnel.

## 15. Servicing the water heater


The water heater must be drained if absence mode cannot be used, or when the appliance is powered off. Proceed as follows:

- ❶ Turn off the power supply.
- ❷ Close the cold water inlet on the safety unit.
- ❸ Open a hot water tap.
- ❹ Open the safety unit drain valve.




In order to maintain the performance of your water heater, regular servicing is recommended.

### 15.1. User servicing

Check	Frequency	Servicing dates
<p><u>Safety unit:</u> Operate the safety valve. Check the water flow.</p> 	1 or 2 times a month	
<p><u>General condition:</u> Check the general condition of your appliance (<i>no Err code displayed, no leaks from the connections, etc.</i>).</p>	Monthly	

## 15.2. Professional servicing

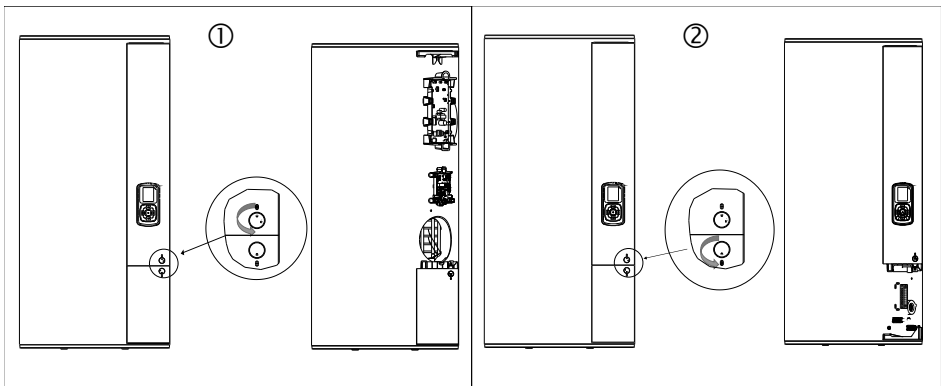
 The water heater must be powered off before being opened.

 The water heater must be drained and the seal replaced if the immersion heater is replaced or the water heater opened.

Z

### 15.2.1. Accessing the water heater's components

① Removing the upper column:



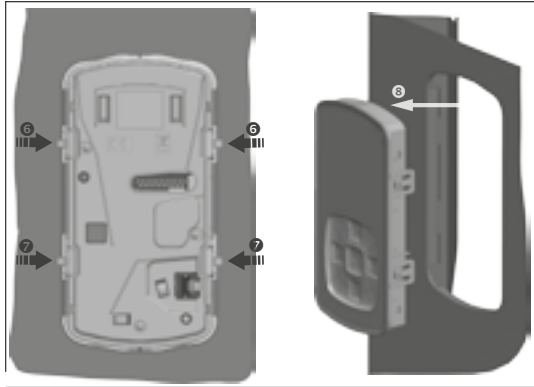
- Rotate the top button by a 1/4-turn
- Slide the column upwards

② Removing the lower column:

- Rotate the bottom button by a 1/4-turn
- Slide the column downwards by approximately 30 mm
- Pull the column towards you

**To remove the control**

- ⑥ Hold the front cover and remove the upper part of the control by pressing both clips situated on the back
- ⑦ Now press both of the lower clips
- ⑧ Remove the control

**15.2.2. Operations to be performed by the installer****Every 2 years, depending on the water quality:**

- Water heater descaling:
  - Hard water TH > 25°f every 2 years
  - Neutral water from 15°f to 25°f every 3 years.  
(Define frequency based on the amount of limescale found during the 1st service)



## 16. Troubleshooting

In case of any malfunction, absence of heating or release of steam when drawing off, turn off the power supply and notify your installer.

### 16.1. Error code display

 **Repair work must only be performed by a professional.**

Interrupt the alarm signal by pressing OK. Once the fault has been resolved, the error message reappears for final acknowledgement.

Code displayed	Cause	Consequences	Diagnostics and troubleshooting
Err W.3	Thermowell sensor ( <i>water T°</i> ) faulty or outside the measuring range ( <i>temperature &lt;0°C or &gt;85°C</i> ).	Cannot read water temperature: No heating.	Check the connections and correct positioning of the sensor. Check the sensor's ohmic value. If nothing to report, replace the sensor.
Err W.7	No water in the tank, or ACI line open.	No heating.	Fill the tank with water. Check the ACI circuit ( <i>AC connection, wiring and water conductivity, etc.</i> ).
Err W.10	No communication between the control panel and the power board	Heating by the electric backup in degraded mode up to 55°C	Check the connections and connection cables between the control panel and the power board.
Err W.11	No Off-Peak signal detection.	The water heater will disregard off-peak periods.	Check the wiring and transmission of the off-peak signal. Change the start authorisation settings.
Err H.15	Date/Time not set	The water heater will disregard the programmed time slots.	Enter the date and time.
Err W.17	Tank top sensor faulty ( <i>temperature &lt;0°C or &gt;110°C</i> )	Heating to the programmed setpoint. Only the displayed amount of hot water is inconsistent.	Check the connections and correct positioning of the sensor. Check the sensor's ohmic value. If nothing to report, replace the sensor.
Err W.19	Power supply irregular	-	Check the power supply

Code displayed	Cause	Consequences	Diagnostics and troubleshooting
Err P.20	Condensation sensor faulty ( <i>temperature &lt; 0°C or &gt; 100°C</i> )	H.P. switched off. Heating via electric backup.	Check the connections and correct positioning of the sensor. Check the sensor's ohmic value. If nothing to report, replace the sensor.
Err P.21	Outside air temperature faulty ( <i>measuring &lt;-20°C or &gt;70°C</i> ).	H.P. switched off. Heating via electric backup.	Check the connections and correct positioning of the sensor. Check the sensor's ohmic value. If nothing to report, replace the sensor.
Err P.23	Outside unit evaporator sensor faulty.	H.P. switched off. Heating via electric backup.	Check the connections and correct positioning of the sensor. Check the sensor's ohmic value. If nothing to report, replace the sensor.
Err P.25	High pressure fault	H.P. switched off. Heating via electric backup.	Check the connection of the pressure switch, and its wiring harness. Check the refrigeration circuit pressure (refrigeration engineer), for blockages or non-condensable gases.
Err P.27	Discharge sensor faulty	H.P. switched off. Heating via electric backup.	Check the connections and correct positioning of the sensor. Check the sensor's ohmic value. If nothing to report, replace the sensor.
Err P.29	Return flow temperature fault	H.P. switched off. Heating via electric backup.	Check the charge. Check that the outside unit is operating correctly and that the service valves are open. Check the sensor's ohmic value, check the charge (by weighing), replace with fresh gas (risk of non-condensable gases). If the error persists, there may be a compressor issue.

Code displayed	Cause	Consequences	Diagnostics and troubleshooting
Err P.30.1	No heat exchange or Heat pump operates continuously without reaching the setpoint temperature.	H.P. switched off. Heating via electric backup.	Over-consumption or recycling loop or leak in the hot water network. Low charge: Check the charge by weighing. Non-condensable gases: replace with fresh gas. Circuit plugged (lines clamped): Must not be evacuated in cold mode. Test that defrosting is working correctly.
Err P.50.1	Communication error between the power board and interface board.	H.P. switched off. Heating via electric backup.	Check the power supply to the outside unit and interface board. Check interconnection wires 1 and 2. Check the communication cable between the 2 boards.
Err P.50.3	Communication error between the outside unit and interface board.	H.P. switched off. Heating via electric backup.	Check the power supply to the outside unit. Check interconnection wire 3.
Err P.51.1	Compressor temperature sensor fault	H.P. switched off. Heating via electric backup.	Check the compressor sensor
Err P.51.4	Current sensor fault.	H.P. switched off. Heating via electric backup.	Check the outside unit board.
Err P.52.3	Compressor overcurrent	H.P. switched off. Heating via electric backup.	Check the compressor. Check the resistance of the compressor windings. Check that the outside unit is working correctly
Err P.52.4	Compressor synchronisation	H.P. switched off. Heating via electric backup.	Check the compressor wiring. Ensure that the compressor starts.
Err P.52.5	Compressor sensor temperature fault	H.P. switched off. Heating via electric backup.	Check the charge. Check that the service valves are open.

<b>Code displayed</b>	<b>Cause</b>	<b>Consequences</b>	<b>Diagnostics and troubleshooting</b>
Err P.52.6	Low pressure fault	H.P. switched off. Heating via electric backup.	Check the charge. Check that the inside unit is connected to the "AIR" valves, and the tank to the "WATER" valves.
Err P.52.7	General fault with the outside unit.  Solenoid valve fault.	H.P. switched off. Heating via electric backup.	Software incompatible after replacing the interface board or outside unit board. Check that the valve remains closed when the associated circuit is not used in heating. Coil is DC, powered only for 2minutes maximum.
Err P.52.8	PFC fault	H.P. switched off. Heating via electric backup.	Replace the outside unit board. The error may be triggered by overvoltages due to storms. The error is reset if there is a power outage.
Err P.53.1	Fan fault	H.P. switched off. Heating via electric backup.	Ensure that the fan can run freely. Check the motor and wiring.
Err P.56	The outside unit version is not correct	H.P. switched off. Heating via electric backup.	Change the outside unit.

W13.1	No association with the hub: - hub and inside unit not present in the system - or hub cannot be associated during initial set-up	Recurrent use of the tank's electric backup to heat up the water.  Risk of hot water shortage, and/or insufficient heating	Check that the hub is receiving the power supply. Try moving the hub closer to the tank
H.20	Communication fault detected between the hub, the key and the inside unit	Insufficient heating	Check that the key is correctly inserted in the inside unit. Check that the inside unit is receiving the power supply

W13	Radio communication fault detected between the hub and tank	<p>Recurrent use of the tank's electric backup to heat up the water.</p> <p>Risk of hot water shortage, and/or insufficient heating</p>	Check that the hub is receiving the power supply. Try moving the hub closer to the tank
-----	---	---	---

## 16.2. Other malfunctions without displayed error codes

Failure observed	Possible cause	Diagnostics and troubleshooting
Heating stops No hot water.	<ul style="list-style-type: none"> <li>• No power supply to the water heater: fuses, wiring, etc.</li> <li>• Heating element or wiring out of order.</li> </ul>	<ul style="list-style-type: none"> <li>• Ensure that the water heater's power supply wires are live.</li> <li>• Check whether the water heater is receiving power.</li> </ul>
Amount of hot water insufficient.	<ul style="list-style-type: none"> <li>• Water heater is under-sized.</li> <li>• Operating manual mode.</li> <li>• Leak in the hot water network.</li> <li>• Recycling loop</li> </ul>	<ul style="list-style-type: none"> <li>• Switch the product to programming mode, with two time slots per day.</li> </ul>
Insufficient water temperature	<ul style="list-style-type: none"> <li>• The main supply to the water heater is not continuous.</li> <li>• Heating element or its wiring partially out of order.</li> <li>• Cold water flows back into the hot water circuit.</li> <li>• Recirculation loop on the installation.</li> </ul>	<ul style="list-style-type: none"> <li>• Ensure the appliance has a continuous power supply.</li> <li>• Check the ohmic value of the electrical resistor, as well as the condition of the wiring harness.</li> <li>• Close the cold water inlet using the safety unit's shutoff valve. Then open the hot water tap. Let 10 minutes pass. If the water runs, identify the defective fittings and/or check that the safety unit is positioned correctly.</li> <li>• Remove the loop.</li> </ul>

Failure observed	Possible cause	Diagnostics and troubleshooting
Low flow to the hot water tap.	<ul style="list-style-type: none"> <li>• Safety unit filter clogged.</li> <li>• Water heater scaled up</li> </ul>	<ul style="list-style-type: none"> <li>• Clean the filter.</li> <li>• Descale the water heater.</li> </ul>
Continuous water loss from the safety unit outside heating periods.	<ul style="list-style-type: none"> <li>• Damaged or clogged safety valve.</li> <li>• Network pressure too high.</li> </ul>	<ul style="list-style-type: none"> <li>• Replace the safety unit.</li> <li>• Check that the pressure at the water meter outlet does not exceed 0.5 MPa (5 bar), otherwise install a pressure reducing device set to 0.3 MPa (3 bar) at the main water distribution system outlet.</li> </ul>
The electric backup is not working.	<ul style="list-style-type: none"> <li>• Mechanical thermostat in safety mode.</li> <li>• Resistor faulty.</li> </ul>	<ul style="list-style-type: none"> <li>• Reset the thermostat safety device on the resistor.</li> <li>• Replace the resistor.</li> </ul>
Condensate overflow ( <i>stagnant water in the outside unit's lower housing</i> )	<ul style="list-style-type: none"> <li>• Condensate drainage obstructed.</li> </ul>	<ul style="list-style-type: none"> <li>• Clean.</li> </ul>
Odour	<ul style="list-style-type: none"> <li>• No siphon on the safety unit</li> <li>• No water in the safety unit siphon.</li> </ul>	<ul style="list-style-type: none"> <li>• Install a siphon.</li> <li>• Fill the siphon.</li> </ul>
Steam released when drawing off.	<ul style="list-style-type: none"> <li>• Electric backup continuously powered.</li> </ul>	<ul style="list-style-type: none"> <li>• Turn off the power supply and notify the installer.</li> </ul>
Heat pump operating outside off-peak hours.	<ul style="list-style-type: none"> <li>• No Off-Peak signal detection.</li> </ul>	<ul style="list-style-type: none"> <li>• Check the wiring and transmission of the off-peak signal.</li> <li>• Modify the Off-Peak signal setting.</li> </ul>

Failure observed	Possible cause	Diagnostics and troubleshooting
The heat pump runs in short bursts, and the electric backup operates almost continuously.	<ul style="list-style-type: none"> <li>• Air temperature outside the tolerance range</li> <li>• Outside unit sensor malfunction</li> <li>• Evaporator heavily clogged</li> <li>• Presence of non-condensable gases</li> </ul>	<ul style="list-style-type: none"> <li>• Wait until temperature is back within the tolerance range</li> <li>• Inform the installer.</li> <li>• Clean the evaporator.</li> <li>• Empty and refill the circuit.</li> </ul>
Control panel failure or display problem.	<ul style="list-style-type: none"> <li>• No power supply.</li> <li>• Control panel fault</li> <li>• Power board fault.</li> </ul>	<ul style="list-style-type: none"> <li>• Check the power supply.</li> <li>• Replace the control panel.</li> </ul>
The heat pump does not start	Outside starting conditions <ul style="list-style-type: none"> <li>• top of the tank too hot;</li> <li>• operating conditions outside of time slots;</li> <li>• anti-short cycle</li> </ul>	<ul style="list-style-type: none"> <li>• Normal operation. Try in cold mode (fewer conditions).</li> </ul>
No display	<ul style="list-style-type: none"> <li>• No power supply</li> <li>• there is a control panel fault, the water is being heated by the electric backup in degraded mode up to 50°C</li> </ul>	<ul style="list-style-type: none"> <li>• Check the electrical panel</li> <li>• Check the connections between the power board and the control panel</li> </ul>
Other functions: Contact the After-Sales Service		

After any servicing or troubleshooting, check the operation of the water heater.

## 17. Ohmic values of the sensors according to the temperature

### Outside unit discharge sensor/Condensate sensor

°C	k Ohm
0	169
5	130
10	101
15	79
20	63
25	50
30	40
35	32

°C	k Ohm
40	26
45	22
50	18
55	15
60	12
65	10
70	8.7
75	7.4

°C	k Ohm
80	6.3
85	5.4
90	4.6
95	4
100	3.4
105	3
110	2.6
115	2.3
120	2

### Outside unit evaporator sensor

°C	k Ohm
-30	96
-25	69
-20	50
-15	37
-10	28
-5	21
0	16
5	12

°C	k Ohm
10	9.6
15	7.6
20	6
25	4.8
30	3.8
35	3.1
40	2.5
45	2.1

°C	k Ohm
50	1.7
55	1.4
60	1.2
65	1
70	0.8
75	0.7
80	0.6

### Outside unit air sensor/Thermowell sensor/Tank top sensor

°C	k Ohm
-10	62
-5	47
0	35
5	27
10	21
15	16

°C	k Ohm
20	13
25	10
30	8
35	6.4
40	5.2
45	4.2

°C	k Ohm
50	3.5
55	2.8
60	2.4
65	2
70	1.6
75	1.4
80	1.2



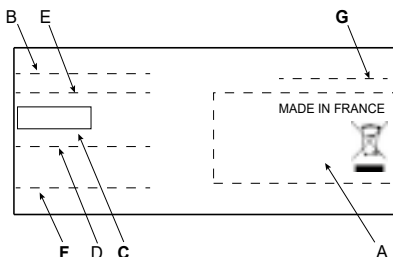
## 18. After-Sales service

When ordering from a brand distributor, specify the exact type of water heater and its serial number indicated on the name plate.

The address of the After-Sales service is also given on the back cover of this manual.

**Use only original spare parts from the manufacturer.**

**Any work on electrical parts must be carried out by a specialist.**



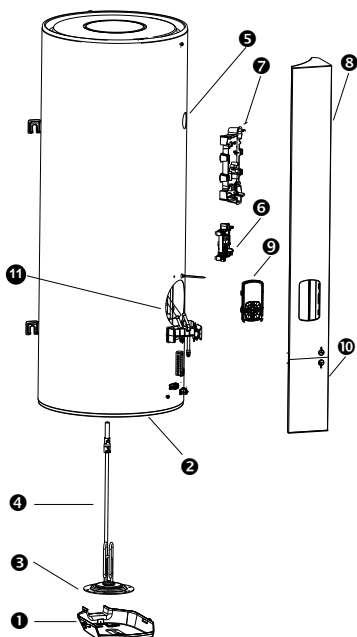
- A Standards, quality label
- B Brand
- C Trade code
- D Manufacturing reference
- E Trade name
- F Serial no.
- G Manufacturer no.

Water heater: plate next to the cover.

Outside unit: plate next to the terminal block's access hatch.

**The unit must be powered off before the cover is opened (to open the cover, see: "11. Accessing the Expert menu and Emergency mode", page 80).**

Spare parts can be ordered by the professional directly from the Services Platform accessible on the brand's website.



1	Cover
2	Thermal protector
3	Domestic hot water sensor
4	Heater body
5	Tank top sensor
6	Control board
7	Outside unit interface board
8	Front panel cover
9	Control panel
10	Lower plug
11	Condenser sensor

## 19. Technical specifications

Water heater		150 litres	200 litres
<i>Dimensions</i>	<i>mm</i>	H 1177 x L 567 x D 586	H 1497 x L 567 x D 586
<i>Empty weight</i>	<i>kg</i>	53	63
<i>Tank capacity</i>	<i>L</i>	150	200
<i>Hot / cold water connection</i>	<i>"</i>	3/4	3/4
<i>Refrigeration line connection</i>	<i>"</i>	3/8 & 1/4, Flare type	3/8 & 1/4, Flare type
<i>Anti-corrosive protection</i>		Hybrid ACI	Hybrid ACI
<i>Minimum water conductivity</i>	<i>µS/cm</i>	40	40
<i>Predefined water pressure</i>	<i>MPa / bar</i>	0.8 / 8	0.8 / 8

Outside unit		model SANI Split	SaniClim compati- ble model
<i>Dimensions</i>	<i>mm</i>	H 535 x L 735 x D 330	H 542 x L 867 x D 353
<i>Refrigeration line connection</i>	<i>"</i>	3/8 & 1/4, Flare type	3/8 & 1/4, Flare type
<i>Mass</i>	<i>kg</i>	24	32

Inside unit		model SaniClim 7	model SaniClim 9	model SaniClim 12
<i>Dimensions</i>	<i>mm</i>	H 270 x L 834 x D 222		
<i>Refrigeration line connection</i>	<i>"</i>	3/8		
<i>Mass</i>	<i>kg</i>	10		

### Main specifications:

Nominal cooling cap. (min./max.)	W	2000 (1524/3200)	2500 (1530/3300)	3400 (1530/3500)
Nominal heating cap. (min./max.)	W	2500 (1276/5200)	2800 (1280/5400)	4000 (1339/5700)
Heating cap. at -7°C***	W	3900	4100	4100
Nominal abs. cooling cap	W	400	565	895
Nominal abs. heating cap	W	500	590	960
LS/HS hot air flow (ins. U)	m <sup>3</sup> /h	330/720	330/750	330/780
Max. HS hot air flow (outs. U)	m <sup>3</sup> /h	1540	1540	1680
LS/HS cold air flow (ins. U)	m <sup>3</sup> /h	320/650	320/700	320/700

Inside unit		model SaniClim 7	model SaniClim 9	model SaniClim 12
Max. HS cold air flow (outs. U)	m3/h	1590	1590	1760
<i>Heating &amp; air conditioning performances:</i>				
EER / SEER average climate		5.00 / 7.40	4.42 / 7.40	3.80 / 7.30
COP / SCOP average climate		5.00 / 4.60	4.79 / 4.70	4.17 / 4.70
SCOP warmer climate		5	5.10	5.10
LS/HS acoustic pressure (ins. U) (cold)	dB(A)	22 / 38	22 / 40	22 / 40
Acoustic power (ins. u.) (cold)	dB(A)	54	55	55
Acoustic pressure (outs. u) (cold)	dB(A)	47	47	50
Acoustic power (outs. u) (cold)	dB(A)	58	58	60
LS/HS acoustic pressure (ins. U) (hot)	dB(A)	22/41	22/42	22/42
Acoustic power (ins. u.) (hot)	dB(A)	56	57	58
Acoustic pressure (outs. u) (hot)	dB(A)	47	47	50
Acoustic power (outs. u) (hot)	dB(A)	60	60	62
<i>Operating range:</i>				
Hot	°C	-15 to 24	-15 to 24	-15 to 24
Cold	°C	-10 to 46	-10 to 46	-10 to 46

Assembled system		SANI Split	SaniClim compatible model
Electrical connection (voltage / frequency)		230V single-phase 50 Hz	230V single-phase 50 Hz
Maximum total power input of the appliance	W	3250	3630
H.P. power input	W	1450	1830
Electric backup power input	W	1800	1800
Minimum length of the refrigeration line	m	5	5
Maximum length of the refrigeration line without top-up	m	15	15
Maximum length of the refrigeration line with top-up	m	20	Completely prohibited 15 m max.
Maximum increase between highest and lowest point in the refrigeration circuit	m	15	15
Water setpoint temperature range	°C	50 to 55	50 to 55
Heat pump operating temperature range	°C	-15 to 37	-15 to 37
Initial refrigerant fluid charge	kg	0.700	0.800
CO2 equivalent	t.CO2. eq	0.47	0.54
Refrigerant charge to volume of water	kg/L	150 l: 0.0047 200 l: 0.0035	150 l: 0.004 200 l: 0.005
GWP of the gas used	-	675	675

Certified performance at 7°C ambient temperature (CDC LCIE 103-15/D)		SANI Split model		SaniClim compatible model	
		150 litres	200 litres	150 litres	200 litres
Coefficient of Performance (COP)*	-	3.09	3.07	3.08	3.06
Power input at stabilised speed (Pes)*	W	17	18	20	22
Heating time (tr)*	h.mins	02.22	02.59	01.54	02.35
Reference temperature (Tref)*	°C	52.9	54.1	52.9	53.6
Drawing-off profile	-	L	L	L	L
Max. amount of mixed water at 40°C (V40)*	L	202.2	268.9	199.1	267.6
V40td (8 h HC)	L	234.7	303.3	231.88	303.0
Energy efficiency (nwh)*	%	127	126	127	126

\* Performance measured in ex-factory ECO manual mode at 10°C to 55°C for the 150 L and 10°C to 54°C for the 200 L at atmospheric pressure in accordance with the NF Electric Output functional specifications of LCIE No. 103-15/D for standalone thermodynamic accumulation water heaters (based on standard EN 16147).

\*\*Tested in an echo chamber, as per the protocol defined by standard EN12102-2.

\*\*\*Max. capacity outside of defrosting cycle

## 20. Declaration of conformity

This appliance complies with the following directives:

- 2014/35/EU Low Voltage Directive
- 2014/53/EU RED (Radio Equipment Directive)
- 2014/30/EU Electromagnetic Compatibility Directive (EMC)
- 2011/65/EU, 2015/863/EU, 2017/2102/EU on the restriction of hazardous substances (RoHS)
- 2013/814/EU, amending the Eco-Design Directive 2009/125/EC

We hereby declare that the tests concerning the Low Voltage Directive are carried out according to the standards below:

Household and similar electrical appliances - Safety:	EN 60335-1: 2012 + A11: 2014 + A12: 2017 + A13: 2017 + A1: 2019 + A2: 2019 + A14: 2019 + A15: 2021 EN 60335-2-21: 2021 + A1: 2021 EN 60335-2-40: 2003 + A1: 2006 + A2: 2009 + A11: 2004 + A12: 2005 + A13: 2012 EN 62233: 2008
---	---

We hereby declare that the product as designated below complies with the essential requirements of the RED (2014/53/EU):

For the SANI Split :

Designation:	HM009 SF HWNM01 DHW
Type:	WI-FI RADIO TRANSMITTER-RECEIVER, 2400 A 2483.5 MHz
Max. antenna power:	20 dBm

For the SaniClim system:

Designation:	HM009 SF HWNM02 DHW
Type:	WI-FI AND ZIGBEE RADIO TRANSMITTER-RECEIVER, 2400 A 2483.5 MHz
Max. antenna power:	20 dBm

The full EU declaration of conformity for this equipment is also available on request, from our After-Sales service (see the back of this manual for the address and phone number, or on the website: [https://www.generalbenelux.com/fr\\_be/infotheque/telechargements/](https://www.generalbenelux.com/fr_be/infotheque/telechargements/)).

We declare that the relevant radio testing has been conducted in accordance with the standards specified below:

Electromagnetic compatibility:	EN 301489-17: 2020
Efficient use of the frequency range:	EN 300328: 2020

Year of CE labelling:	2023
-----------------------	------

## 21. Warranty

### 21.1. Scope of the warranty

This warranty excludes malfunctions due to:

**Abnormal environmental conditions:**

- Various damage caused by impacts or falls during handling after leaving the factory.
- Appliance installed in a location subject to frost or bad weather (wet, harsh or poorly ventilated environments).
- Using water with hardness criteria as defined in DTU Plumbing 60-1 addendum 4 hot water (chlorides, sulphates, calcium, resistivity and TAC).
- Water with TH <8°F.
- Water pressure above 0.5 MPa (5 bar).
- Power supply with significant voltage surges (*network, lightning, etc.*).
- Damages resulting from problems that could not be detected due to the choice of the installation location (*hard to access*), and which could have been avoided by immediate repair of the appliance.

**An installation not compliant with the regulations, standards and best practices, in particular:**

- Safety unit removed or not functioning (*pressure reducer, check valve or other valve, etc. placed between the water heater and safety unit*).
- No safety unit or incorrect installation of a new safety unit as per standard NF EN 1487 standard, change to its calibration...
- No sleeves (*cast iron, steel or insulation*) on hot water connection pipes, potentially leading to corrosion.
- Faulty electrical connection: not in compliance with NFC 15-100, incorrect earthing, insufficient cable cross-section, connection with flexible cables without metal ends, failure to comply with the wiring diagrams recommended by the Manufacturer.
- Turning on the power to the unit before filling it (dry heating).
- Appliance and/or outside unit positioned contrary to the instructions in the manual.
- External corrosion due to poor sealing on the pipework.
- Appliance installed in a recirculation system.
- Incorrect settings.
- Refrigeration lines not compliant with the recommendations (section, length or level difference).

**Incorrect maintenance:**

- Abnormal scaling of heating elements or safety devices.
- Failure to service the safety unit, resulting in overpressure.
- Failure to clean the evaporator and condensate drain.
- Alteration of the original equipment without the manufacturer's approvals, or using spare parts not referenced by the manufacturer.

## 21.2. Warranty conditions

The water heater shall be installed by an authorised individual in compliance with good engineering practices, current standards and the recommendations of our technical services.

It shall be used in normal conditions and undergo regular servicing by trained and qualified personnel only.

Under these conditions, our warranty shall cover the exchange or free supply to our Distributor or Installer of the parts recognised by us as faulty, or if applicable the whole appliance, excluding labour and transportation costs, as well as any compensation and warranty extension.

Our warranty shall be effective from the date of installation (*based on the installation invoice*); in the absence of documentary evidence, the date applied shall be six months from the date of manufacture indicated on the water heater's name plate.

The warranty for the replacement part or water heater (*under warranty*) shall end at the same time as the warranty for the part or the water heater that was replaced.

NOTE: Any costs or damages due to faulty installation (*e.g. frost, safety unit not connected to wastewater drain, no drain pan*) or access difficulties shall under no circumstances be attributable to the manufacturer.

The terms of these conditions of warranty do not exclude the purchaser from enjoying the advantages of the legal warranty for hidden faults and defects which apply in any case, pursuant to articles 1641 et seq. of the French Civil Code.

**The failure of a component under no circumstances justifies replacement of the appliance. In this case, replace the faulty part.**

Spare parts essential for the use of our products are supplied for 10 years from their date of manufacture.

For information on warranty conditions and periods, please refer to the general terms and conditions.



**An appliance with suspected damage must remain in-situ for expert assessment. The policy holder must inform their insurer.**

### ↻ END OF LIFE:

Before dismantling the appliance, power it off and drain it.

The combustion of some components may release toxic gases, do not incinerate the appliance.

At the end of its life, the appliance must be taken to an electrical and electronic equipment sorting centre equipped for fluid recycling. For more information on existing waste collection centres, contact the local collection service.

The refrigerant fluid in the appliance must under no circumstances be released into the atmosphere. Any degassing operation is strictly prohibited.





## INHOUD

WAARSCHUWINGEN .....	57
1. Voorzorgen voor het gebruik .....	61
2. Voorstelling .....	64
2.1. Veiligheidsvoorschriften .....	64
2.2. Inhoud van de verpakking .....	64
2.3. Hantering .....	64
3. Afmetingen .....	65
4. Accessoires .....	66
5. SANI Split: Inbedrijfstellingschema .....	67
6. SaniClim: Inbedrijfstellingschema .....	68
7. Elektrisch schema voor onderhoud van de SaniClim .....	69
8. Installatie .....	71
8.1. Keuze van de installatieplaats .....	71
8.2. Minimale grootte van de ruimte .....	71
8.3. Roosters: beperkingen ten aanzien van aantal, grootte en positie .....	72
8.4. Plaatsing .....	73
8.5. Plaatsing toestel .....	74
8.6. Waterzijdige aansluiting .....	75
8.7. Koudemiddelaansluiting .....	77
8.8. Elektrische aansluiting .....	77
9. Eerste inbedrijfstelling .....	79
9.1. Gedeeltelijke installatie .....	80
9.2. Installatieparameters .....	81
10. Bedieningspaneel .....	84
11. Symbolen .....	84
12. Menu .....	85
12.1. Verbruik .....	85
12.2. Afwezigheid .....	85
12.3. Boost .....	85
12.4. Beheer instelwaarde .....	85
12.5. Parameters .....	86
13. Werkingsmodi .....	87
13.1. ECO+-modus .....	87

13.2. Handmatige modus.....	87
<b>14. Toegang tot Expertmenu en Noodmodus .....</b>	<b>88</b>
14.1. Elektrische verwarming.....	88
14.2. Antilegionella.....	88
14.3. Externe besturing.....	88
14.4. Diagnose en controle van de werking .....	88
14.5. Noodmodus.....	89
14.6. Software.....	89
14.7. Herstarten .....	89
<b>15. Onderhoud van de boiler .....</b>	<b>90</b>
15.1. Onderhoud door de gebruiker.....	90
15.2. Onderhoud door de vakman .....	91
<b>16. Storingsdiagnose .....</b>	<b>93</b>
16.1. Weergave van storingscodes.....	93
16.2. Andere storingen zonder foutcode op het scherm.....	98
<b>17. Weerstandswaarde voelers in functie van de temperatuur .....</b>	<b>101</b>
<b>18. Dienst na verkoop.....</b>	<b>102</b>
<b>19. Technische kenmerken .....</b>	<b>103</b>
<b>20. Conformiteitsverklaring.....</b>	<b>107</b>
<b>21. Garantie.....</b>	<b>108</b>
21.1. Garantiedekking .....	108
21.2. Garantievoorwaarden .....	109

**WAARSCHUWINGEN**

Dit toestel is niet geschikt voor gebruik door personen (inclusief kinderen) met verminderde lichamelijke, zintuiglijke of geestelijke vermogens, of door personen zonder ervaring of kennis, behalve wanneer zij onder toezicht staan van iemand die voor hun veiligheid verantwoordelijk is, of vooraf de nodige instructies hebben gekregen over het gebruik van het toestel. Kinderen moeten in het oog gehouden worden om te voorkomen dat zij met het apparaat gaan spelen.

Dit apparaat mag niet worden gebruikt door kinderen onder de 3 jaar of door personen met beperkte zintuiglijke of geestelijke vermogens of met weinig ervaring en onvoldoende kennis, tenzij dit geschiedt onder toezicht of als de aanwijzingen over de veilige bediening gegeven werden en de risico's hiervan werden begrepen. Kinderen mogen niet met het apparaat spelen. De reiniging of het onderhoud van het apparaat mag niet door kinderen zonder toezicht gebeuren. Kinderen in de leeftijd van 3 tot 8 jaar mogen alleen de kraan gebruiken die aangesloten is op de boiler.

**INSTALLATIE:**

**LET OP:** Zwaar product, voorzichtig hanteren:

1/ Installeer het toestel in een vorstvrije ruimte. De vernieling van het toestel door overdruk, te wijten aan de blokkering van de veiligheidsgroep valt buiten de garantie.

2/ Controleer vóór de bevestiging of de muur sterk genoeg is om het gewicht van het met water gevulde toestel te dragen.

3/ Als het toestel wordt geïnstalleerd in een ruimte of op een plaats waar de omgevingstemperatuur constant hoger dan 35°C is, is een ventilatiesysteem voor deze ruimte noodzakelijk.



4/ Bij installatie in een badkamer mag het toestel niet in de volumes V0, V1 of V2 geplaatst worden. Maar als de badkamer niet ruim genoeg is, mag u het toestel toch installeren in volume V2.

5/ Installeer het toestel op een toegankelijke plaats.

6/ Raadpleeg de installatieafbeeldingen in het hoofdstuk Installatie.

- Bevestiging van een verticale wandboiler: Laat voor de eventuele vervanging van het verwarmingselement onder de uiteinden van de buizen van de boiler een ruimte vrij van 480 mm.
- De afmetingen van de benodigde ruimte voor de correcte installatie van het toestel staan in het hoofdstuk Installatie.
- De staande boiler moet met een daarvoor bestemd bevestigingssysteem aan de vloer worden bevestigd.
- Er moet een opvangbak geïnstalleerd worden onder de boiler wanneer deze geplaatst wordt in het verlaagd plafond, op de zolder of boven bewoonde ruimte. De opvangbak moet met de riolering verbonden zijn.
- Dit toestel is bedoeld voor gebruik op een maximale hoogte van 2 000 m.
- Deze boiler is uitgerust met een thermostaat waarvan de maximale bedrijfstemperatuur hoger is dan 60 °C om de

groei van legionellabacteriën in het vat tegen te gaan. Pas op! Bij een watertemperatuur van meer dan 50 °C kunnen er onmiddellijk ernstige brandwonden ontstaan. Controleer daarom de watertemperatuur voordat u een bad of douche neemt.

### **WATERZIJDIGE AANSLUITING:**

Installeer op de ingang van de boiler altijd een nieuwe veiligheidsgroep ( $\frac{3}{4}$ " en met een druk van 0,7 MPa (7 bar)) die voldoet aan de lokale geldende voorschriften op een vorstvrije plaats.

Het aftapsysteem van de drukk begrenzer moet regelmatig worden geactiveerd om kalkaanslag te verwijderen en om te controleren of het systeem niet geblokkeerd is.

Er is een reduceerventiel (niet meegeleverd) nodig als de toevoerdruk hoger is dan 0,5 MPa (5 bar), die op de hoofdaansluiting aangesloten dient te worden.

Sluit de veiligheidsunit aan op een afvoerslang, met toegang naar buiten, in een vorstvrije omgeving. Deze moet aflopend zijn voor de afvoer van het water bij uitzetting tijdens opwarming of bij aftapping van de boiler.

Aftappen: schakel de elektrische voeding uit en draai de koudwatertoevoer dicht. Draai de warmwaterkranen open en bedien vervolgens de aftapklep van de veiligheidsgroep.

De leidingen moeten regelmatig op lekkage worden gecontroleerd.

## ELEKTRISCHE AANSLUITING:

- Voordat het deksel wordt verwijderd, moet de stroom uitgeschakeld worden om een stroomschok te vermijden.
- De installatie moet stroomopwaarts van de boiler een omni-polaire verbrekingsinrichting hebben (stroomonderbreker, zekering) overeenkomstig de plaatselijk geldende installatieregels (verliesstroomschakelaar van 30 mA).
- Indien de aansluitkabel beschadigd is, moet deze vervangen worden door de fabrikant of zijn technische dienst of door een andere gekwalificeerde persoon om gevaar te voorkomen.
- Het toestel moet geaard worden. Hiervoor is een speciale aansluitklem aanwezig met het symbool .
- Raadpleeg de bedradingsschema's in de handleiding.
- De gebruiksaanwijzing voor dit apparaat is verkrijgbaar bij de afdeling After Sales.
- De installatie- en gebruiksvoorschriften in deze gebruiksaanwijzing moeten strikt worden in acht genomen opdat het product correct functioneert.

## 1. Voorzorgen voor het gebruik

De installatie- en servicewerkzaamheden van de warmtepompboiler kunnen gevaar opleveren door de hoge druk en onderdelen die onder spanning staan.

Warmtepompboilers mogen enkel geïnstalleerd, opgestart en onderhouden worden door gekwalificeerd en vakbekwaam personeel.

Houd koudemiddelaansluitingen hermetisch gesloten (geknepen, geplooid en bij voorkeur gesoldeerd).

Vocht heeft een erg nadelige invloed op de werking en de gebruiksduur van het product. In geval van vervuiling is het moeilijk - en soms onmogelijk - om het circuit te reinigen.

Bewaar deze handleiding, zelfs na de installatie van het product.

### INSTALLATIE:

- Ruim verpakkingsmateriaal op de juiste wijze op. Verscheur plastic verpakkingen en gooi ze weg op een plaats waar kinderen er niet mee kunnen spelen. Niet-verscheurde plastic verpakkingen kunnen verstikking veroorzaken.
- Dit toestel bevat geen onderdelen die door de gebruiker kunnen worden gerepareerd. Laat het repareren door een installateur.
- Controleer voorafgaand aan elke interventie of de algemene elektrische stroomvoorziening is uitgeschakeld en vergrendeld.
- De installatie moet worden uitgevoerd volgens de normen die gelden op de plaats van installatie en volgens de installatievoorschriften van de fabrikant.
- De toestellen zijn niet explosieveilig en mogen daarom niet worden geïnstalleerd in omgevingen met explosiegevaar.
- Als u verhuist, laat het toestel dan door een installateur verwijderen en installeren.
- Gebruik bij installatiewerkzaamheden uitsluitend de bijgeleverde of in de handleiding aangegeven onderdelen.

### Koudemiddel R32:

- Deze ontvlambare vloeistof vereist dat de minimale oppervlakken en volumes van de ruimte waar het toestel is geïnstalleerd, opgeslagen of wordt gebruikt, in acht worden genomen. Zorg ervoor dat de toepassing ter plaatse in overeenstemming is met de grootte van de behandelde ruimten en de hoeveelheid koudemiddel in de installatie (conform de norm EN 378-1 en IEC 60335-2-40).
- Breng in het toestel geen andere stoffen aan dan het aanbevolen koudemiddel.
- Laat het koudemiddel niet in de atmosfeer vrijkomen. In geval van koudemiddellekage, tijdens de installatie, de ruimte ventileren. Aan het einde van de installatie mogen

er geen koudemiddellekken in het systeem zijn. Bij lekkage van R32-vloeistof in combinatie met een ontstekingsbron kunnen giftige gassen vrijkomen.

- Raak het koudemiddel niet aan wanneer de aansluitingen lekken of anderszins. Direct contact kan vrieswonden veroorzaken.
- Koudemiddelen mogen geen geur hebben.
- Neem de veiligheids- en gebruiksvoorschriften voor R32-koudemiddel in acht.
- Neem de nationale gasvoorschriften in acht.
- Doorboor of verbrand het toestel niet.
- Een in het gebouw gemaakte flare mag niet worden hergebruikt. De flare-aansluiting op de leiding moet worden verwijderd en er moet een nieuwe flare-aansluiting worden gemaakt.
- Een buiten het gebouw gemaakte flare kan zonder beperking worden gemaakt.
- Gebruik geen andere dan de door de fabrikant aanbevolen hulpmiddelen om het ont-dooiproces te versnellen of om het toestel te reinigen.
- Houd alle bronnen van open vuur of ontsteking uit de buurt van het toestel.

### Elektrische aansluiting:

- De elektrische installatie moet worden uitgevoerd in overeenstemming met de gel-dende voorschriften.
- Dit toestel is ontworpen om te werken op een nominale spanning van 230 Volt 50 Hz. Op geen enkel moment (ook niet tijdens de opstartfase) mag de spanning op de aansluitpunten van het toestel minder dan 198 V of meer dan 264 V bedragen.
- De maximale kabellengte is gebaseerd op een spanningsval die kleiner moet zijn dan 2%. Gebruik dikkere kabels als het spanningsverlies 2% of meer bedraagt.
- De elektrische aansluitingen mogen pas worden gemaakt als alle andere montage-handelingen (bevestigen, monteren, ...) zijn voltooid.
- Controleer of de bedrading niet onderhevig is aan slijtage, corrosie, overmatige druk, trillingen, scherpe randen of andere nadelige omgevingsinvloeden.
- Het contract met de energieleverancier moet voldoende zijn om niet alleen het vermo-gen van het toestel te dekken, maar ook de som van de vermogens van alle toestellen die tegelijkertijd in werking kunnen zijn. Als er onvoldoende vermogen is, controleer dan bij de energieleverancier de waarde van het vermogen in uw contract.
- Vraag de exploitant van het elektriciteitsdistributienetwerk om de specificaties van de kabels en de harmonische stromen, enz.
- Gebruik nooit een stopcontact voor de stroomvoorziening.
- Gebruik een specifiek stroomcircuit. Deel de stroomvoorziening niet met andere apparaten.
- Gebruik voor de voeding van het toestel een onafhankelijke stroomtoevoerleiding die beveiligd is met een omnipolaire stroomonderbreker met een contactopening van meer dan 3 mm.
- Zorg ervoor dat de stroomonderbreker zich op een plaats bevindt waar de gebruikers hem niet per ongeluk kunnen in- of uitschakelen (aangrenzend gebouw, enz.). Als het elektrische paneel zich buiten bevindt, sluit en vergrendel het dan zodat het niet gemakkelijk toegankelijk is.



- Raak de elektrische onderdelen nooit aan onmiddellijk nadat de stroom is uitgeschakeld. Er kan zich een elektrische schok voordoen. Wacht na het uitschakelen altijd 10 minuten voordat u elektrische onderdelen aanraakt. Statische elektriciteit in het menselijk lichaam kan de onderdelen beschadigen. Ontlaad je lichaam van statische elektriciteit.
- Onjuiste bedrading kan het hele systeem beschadigen.
- Als de spanning te laag is of daalt wanneer het toestel wordt gestart, kan het toestel niet goed starten. Raadpleeg in dat geval uw stroomleverancier.
- Zorg ervoor dat alle kabels goed vastzitten, dat u draden gebruikt die voldoen aan de geldende normen, en dat er geen kracht wordt uitgeoefend op de aansluitingen en de kabels.

### **Koudemiddelaansluiting:**

- Alle koudemiddelcircuits zijn gevoelig voor verontreiniging door stof en vocht. Indien dergelijke verontreinigingen in het koudemiddelcircuit terechtkomen, kunnen zij de betrouwbaarheid van de units doen verminderen. De koudemiddelaansluitingen en -circuits van de units moeten goed zijn afgesloten. In geval van een latere storing zal de aanwezigheid van vocht of vreemde voorwerpen in de compressorolie systematisch leiden tot uitsluiting van de garantie.
- Controleer of de koudemiddelaansluitingen goed zijn afgedicht (plastic pluggen of buizen die aan de uiteinden zijn dichtgeknepen en gesoldeerd). Indien de pluggen tijdens de werkzaamheden moeten worden verwijderd (bijv. buizen afsnijden), breng ze dan zo spoedig mogelijk weer aan om verontreiniging van de buis te voorkomen.
- Gebruik geen afdichtpasta voor de koudemiddelaansluitingen, aangezien deze de binnenkant van de aansluitingen kan verstopen of vervuilen. Bij gebruik van dergelijke pasta vervalt de garantie op het toestel.
- Gebruik geen gewone minerale olie op de flare-aansluitingen. Gebruik koelolie die compatibel is met R32, maar vermijd zoveel mogelijk dat deze in het circuit doordringt, met het risico dat de levensduur van de apparatuur wordt verkort.
- Gebruik droge stikstof om te voorkomen dat er vocht binnendringt dat de werking van het toestel zou kunnen schaden.
- Gebruik geen gebruikte, vervormde of verkleurde verbinding, maar een nieuwe verbinding van koelkwaliteit.

## 2. Voorstelling

### 2.1. Veiligheidsvoorschriften

De installatie en de inbedrijfstelling van de warmtepompboiler kan gevaar opleveren door de hoge druk en onderdelen die onder spanning staan.

Warmtepompboilers mogen enkel geïnstalleerd, opgestart en onderhouden worden door gekwalificeerd en vakbekwaam personeel.

### 2.2. Inhoud van de verpakking



1 handleiding



1 zakje met diëlektrische koppeling en  
2 dichtingen voor de warmwateruitlaat



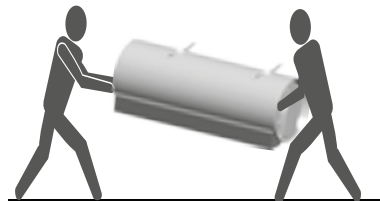
2 isolatiemoffen voor  
koudemiddelaansluiting



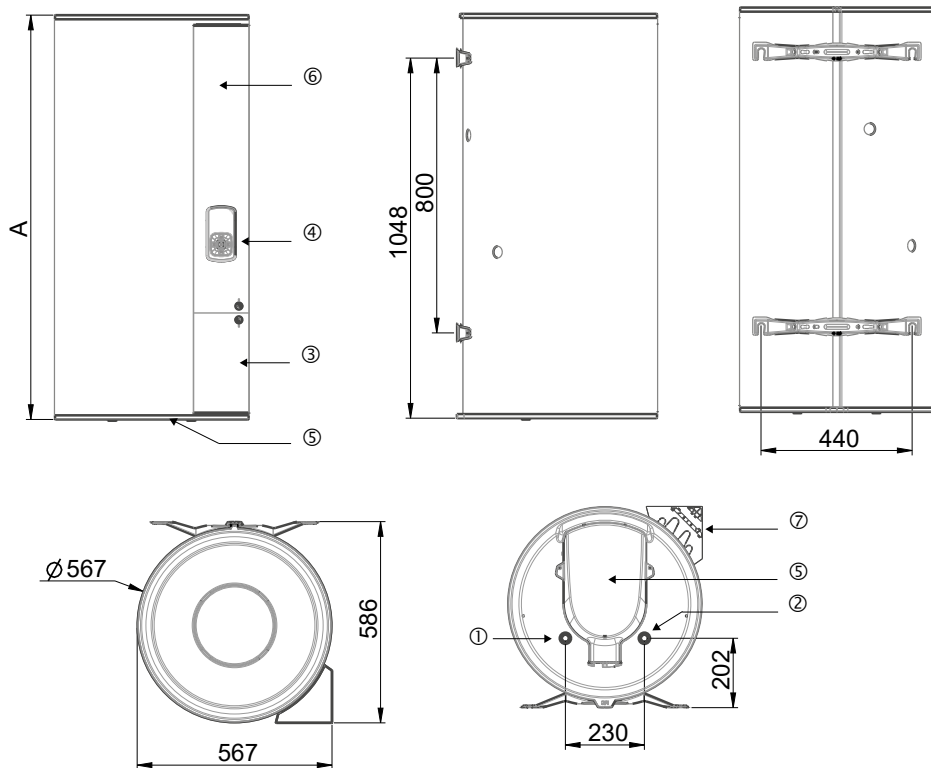
Muurbevestigingsbeugel

### 2.3. Hantering

Een verticale wandboiler kan worden gedragen met behulp van de handgrepen aan de onderzijde.



### 3. Afmetingen



NL

	150 l	200 l
Maat A	1177	1497

①	Warmwateraansluiting 3/4"
②	Koudwateraansluiting 3/4"
③	Elektrische aansluitkast
④	Regelscherm
⑤	Plaats elektrische verwarming & mechanische beveiliging; positie hulsvouler
⑥	Positie voeler bovenkant warmwatertank
⑦	Koelmiddelaansluiting (inlaat: 3/8", uitlaat: 1/4")

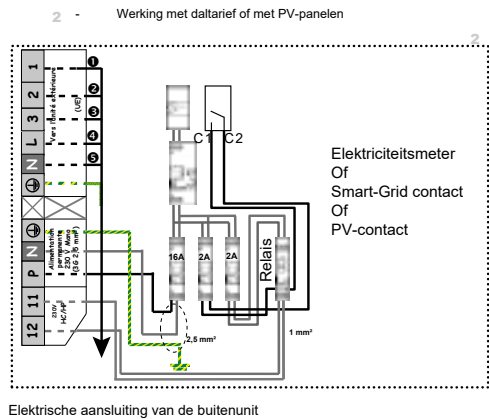
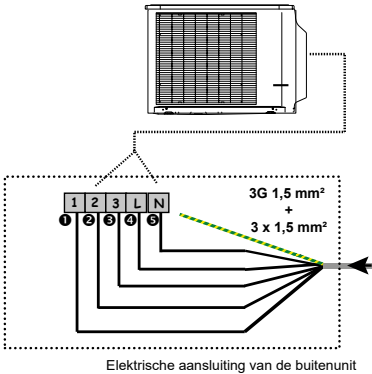
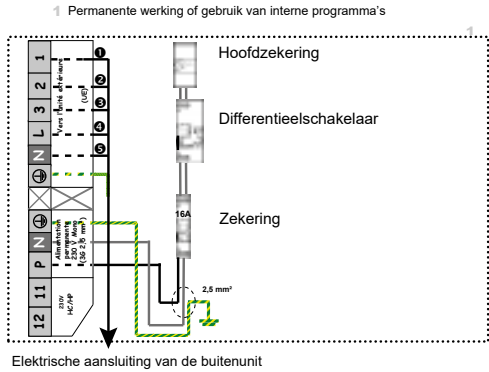
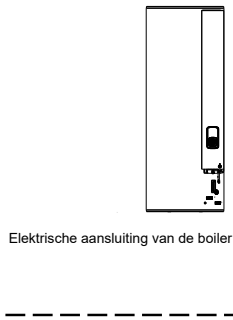
## 4. Accessoires

Staander voor verticale wandboiler

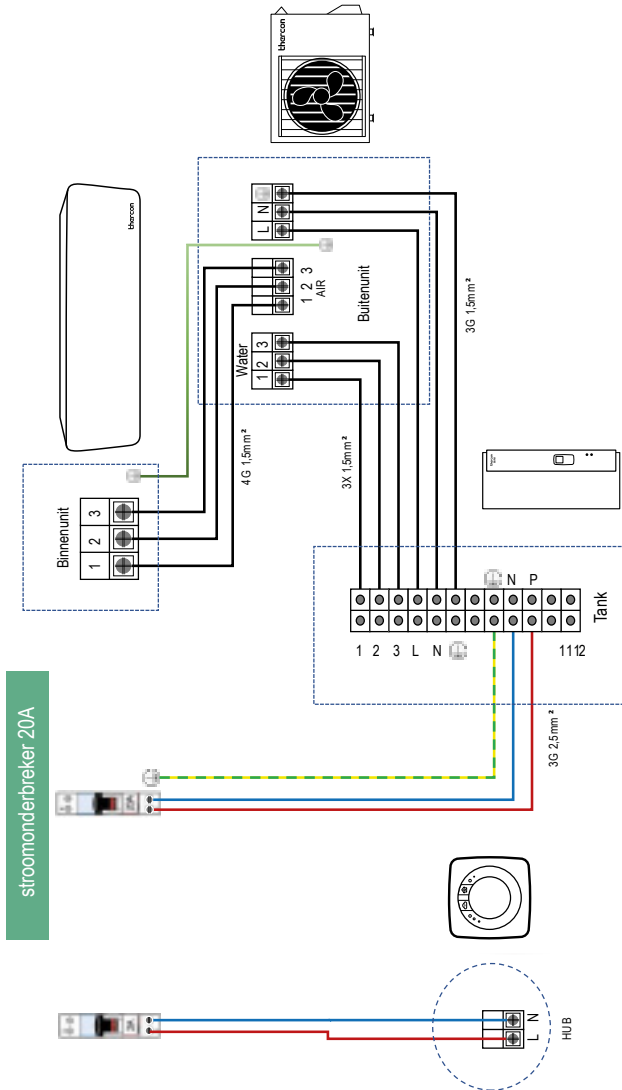


### 5. SANI Split: Inbedrijfstellingsschema

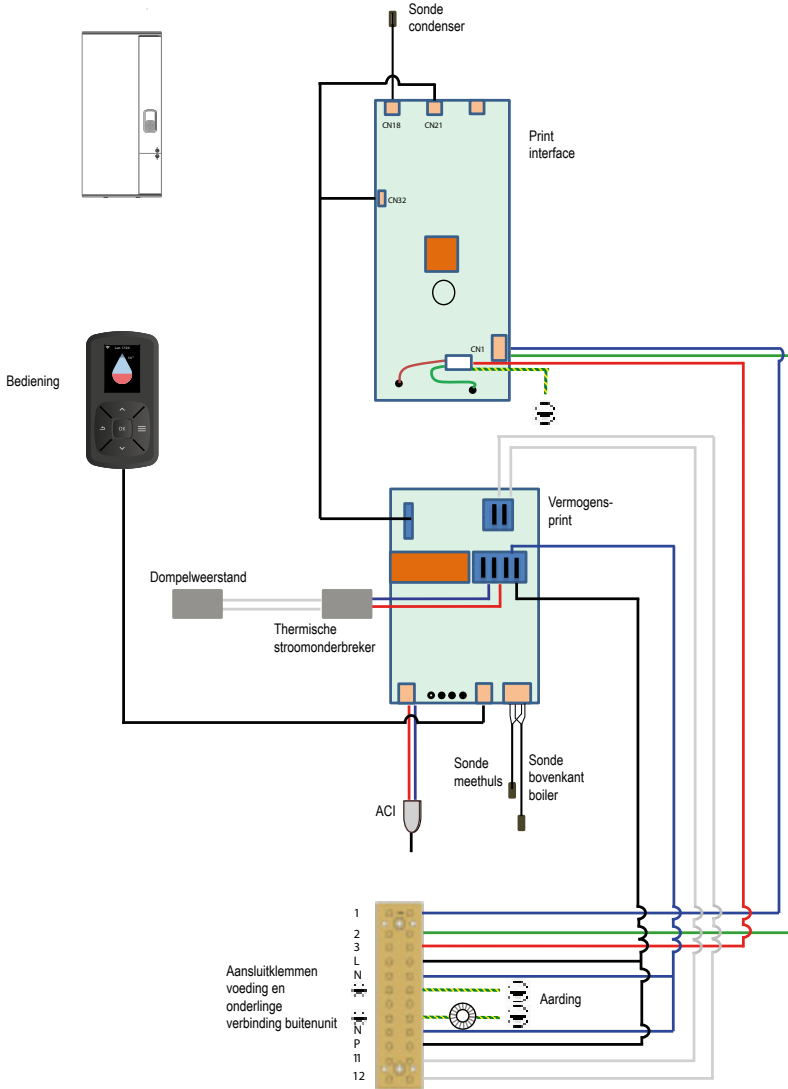
Om het vat tegen corrosie te beschermen, moet de boiler permanent van stroom worden voorzien



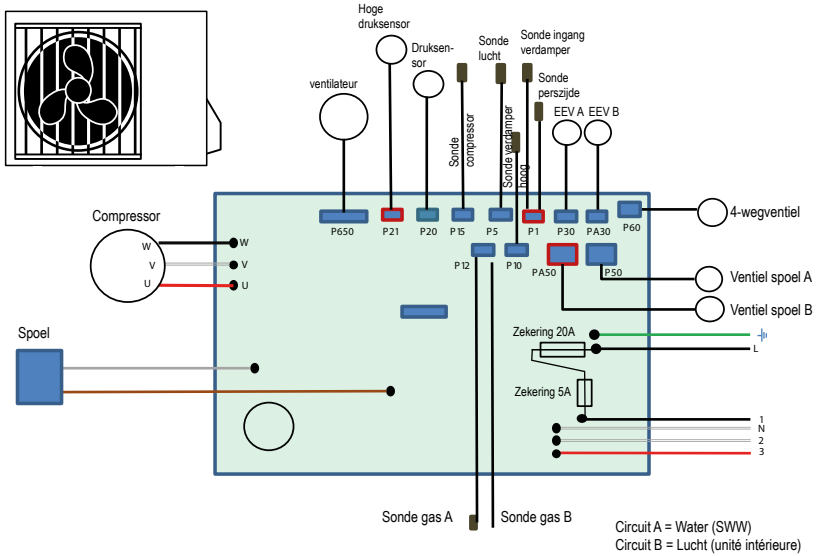
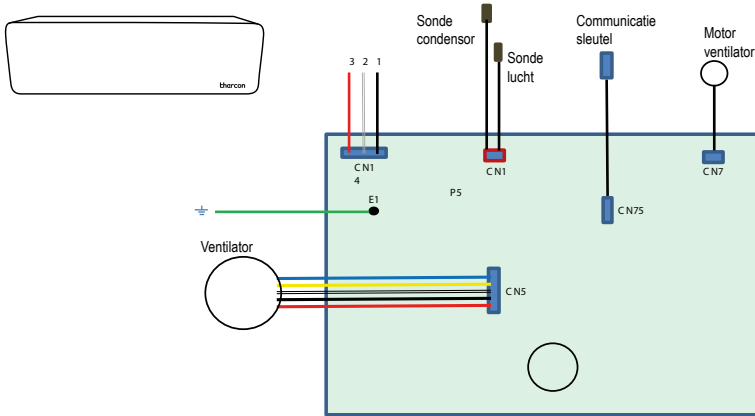
## 6. SaniClim: Inbedrijfstellingschema



# 7. Elektrisch schema voor onderhoud van de SaniClim



NL



ALLE PRINTEN EN SENSOREN HEBBEN EEN SPANNING VAN 230 V



## 8. Installatie

### 8.1. Keuze van de installatieplaats

- Plaats de boiler op een vorstvrije plaats.
- Plaats hem zo dicht mogelijk bij de belangrijkste afnamepunten.
- Als de boiler buiten de woonruimte wordt geplaatst (kelder, garage), moeten de leidingen worden geïsoleerd. De omgevingstemperatuur in de ruimte van de boiler mag niet hoger zijn dan 40 °C.
- Ga na of het dragende oppervlak sterk genoeg is om het gewicht van de met water gevulde boiler te dragen.
- Voorzie tegenover elk elektrisch element voldoende ruimte van 500 mm voor het periodiek onderhoud van het verwarmingselement.
- Installeer een opvangbak onder de boiler wanneer hij in een verlaagd plafond, op zolder of boven een woonruimte wordt geïnstalleerd. De opvangbak moet met de riolering verbonden zijn.

### 8.2. Minimale grootte van de ruimte

**Het is ten strengste verboden de boiler te installeren in een ruimte die is afgesloten door een geluidsisolerende (luchtdichte) deur, aangezien de boiler een natuurlijke ventilatie van de omgevingslucht vereist.**

Overeenkomstig de norm IEC 60335-2-40 (veiligheids- en milieuvoorschriften voor warmtepompen), uitgebreid tot hoeveelheden koudemiddel van minder dan  $m_1$ , moet de boiler en alle koelverbindingen die de bewoonde ruimte doorkruisen, geïnstalleerd worden in ruimten die voldoen aan de volgende gegevens.

Geval van een kamer zonder mechanische ventilatie:

- Installatie in een ruimte waar geen andere elektrische apparaten of elektrische schakelaars aanwezig zijn (toxiciteitsbeperkingen).
- De oppervlakte van de kamer moet groter zijn dan 1 m<sup>2</sup>\*

NB: De bovenstaande oppervlakte is gegeven voor een plafondhoogte van 2,5 m. Als de hoogte van het plafond verschillend is van 2,5 m en gelijk is aan de waarde H in meters, vermenigvuldig dan de bovenstaande waarde met 2,5/H.

- Installatie in een ruimte met ten minste één ander elektrisch apparaat of een elektrische schakelaar (ontvlambaarheidsbeperkingen)
- De oppervlakte van de ruimte moet groter zijn dan 6 m<sup>2</sup>\*

\*In beide gevallen kan, indien de ruimte is voorzien van natuurlijke ventilatieopeningen/roosters die voldoen aan de in de volgende alinea genoemde criteria inzake grootte en plaatsing, de oppervlakte van de aangrenzende ruimte in aanmerking worden genomen bij de berekening van de minimumoppervlakte.

Geval van een kamer met mechanische ventilatie:

In dit geval gelden er geen beperkingen voor wat de minimumoppervlakte betreft, op voorwaarde dat de ventilatie aan de onderstaande criteria voldoet:

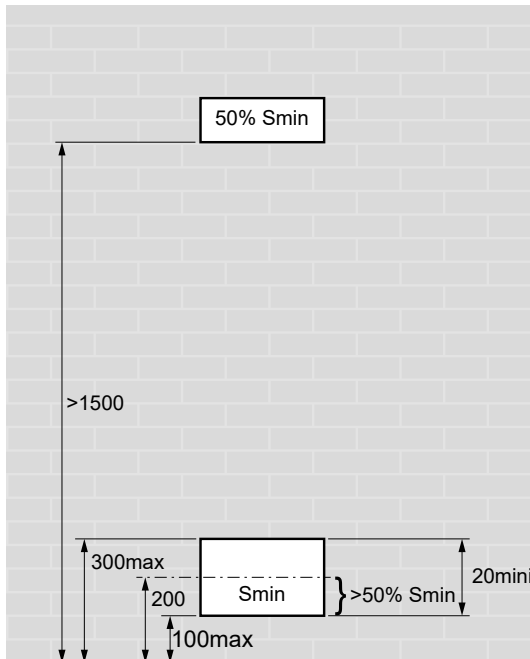
- Ventilatie-debiet groter dan  $60 \text{ m}^3/\text{u}$ .
- Het laagste punt van de afzuigopening bevindt zich op minder dan 100 mm van de vloer.
- De lucht wordt naar buiten afgevoerd, of naar een ruimte groter dan  $4 \text{ m}^2$ .

De ventilatie kan permanent zijn of geactiveerd worden bij detectie van koudemiddel.

### 8.3. Roosters: beperkingen ten aanzien van aantal, grootte en positie

Deze beperkingen zijn opgenomen in IEC 60335-2-40, bijlage GG.

Aantal en positie: de twee ventilatieroosters moeten volgens onderstaand schema worden geplaatst.



Grootte van de openingen: de minimumgrootte  $S_{min}$  in  $cm^2$  hangt af van de hoeveelheid R32-koudemiddel en de oppervlakte van de ruimte waarin het product wordt geïnstalleerd. Zie onderstaande tabel.

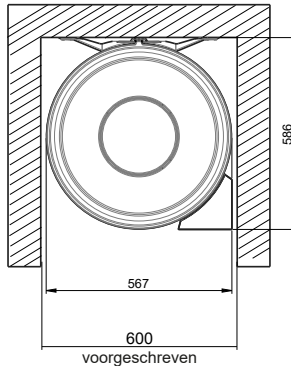
Oppervlakte van de ruimte waarin het product wordt geïnstalleerd in $m^2$	Kast 0,36~0,42	1	2	3	4	5	6
Minimale oppervlakte ( $S_{min}$ ) van het onderste ventilatierooster in $cm^2$	300	250	200	150	100	50	-

NI

### 8.4. Plaatsing

**Installatie in een afgesloten kast is niet toegestaan.**

Type muur waartegen de boiler wordt bevestigd:  <i>(op het karton van de verpakking staat een installatiemaal gedrukt)</i>	<ul style="list-style-type: none"> <li>Dunne muren (type gipsplaten): draadstangen <math>\varnothing</math> 10 mm door de muur verbonden door profielen of ankerplaten.</li> <li>Dikke harde muren (beton, steen, baksteen): Boor boutgaten van <math>\varnothing</math> 10 mm of gaten voor MOLLY-pluggen van <math>\varnothing</math> 10 mm.</li> <li>Verticale wandboilers kunnen op een staander worden geplaatst wanneer de muur het gewicht van de boiler niet kan dragen. De bovenste beugel moet worden vastgemaakt. Gebruik de door de fabrikant voorgeschreven staander.</li> </ul>
Vrije hoogte:	<ul style="list-style-type: none"> <li>&gt; 1,26 m voor de 150 l en 1,57 m voor de 200 l</li> </ul>
Aanbevolen plaats:	<ul style="list-style-type: none"> <li>In verwarmde ruimte</li> </ul>

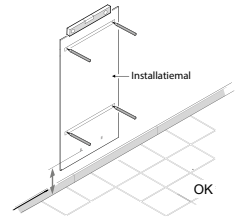
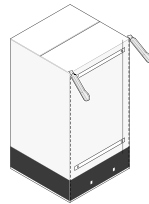


## 8.5. Plaatsing toestel



**Installeer verplicht een op de afvoer aangesloten wateropvangbak onder de boiler, vooral wanneer deze boven bewoonde vertrekken wordt geplaatst.**

- Snijd de op het karton gedrukte mal uit en breng er de markeringen mee aan.



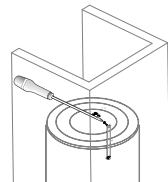
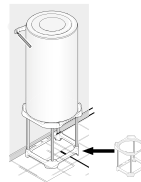
Boor gaten en breng pluggen aan (minimum  $\text{\O}10$  mm) die geschikt zijn voor uw muur (gipsplaten, beton, baksteen)

Een statief is verplicht in het geval van een niet-dragende muur (die het gewicht van een volle boiler niet kan dragen). In dit geval, een bevestiging van de boiler aan de muur is verplicht, hetzij met de bovenste beugel of met de bevestigingsbeugel (die het mogelijk maakt de integratie in een kast van interne afmetingen op 600 x 600 mm).

Plaats de boiler eerst op het statief om de bevestigingspunten te markeren.

Boor de gaten.

Zet de boiler weer op zijn plaats.



**Installatie in een kast zonder ventilatie is niet toegestaan**



**Bovenste beugel bevestigen**

## 8.6. Waterzijdige aansluiting

De toevoerleidingen moeten goed gereinigd worden voordat de wateraansluitingen worden uitgevoerd om te voorkomen dat metaal- of andere deeltjes in de kuip van de boiler terechtkomen.



**Het is verboden een SWW-kring op het toestel aan te sluiten. Bij schade aan een toestel met SWW-kring vervalt onze garantie (neem contact op met de dienst na verkoop voor meer informatie).**

Bij aansluiting met een pakking mogen de afdichtingsringen in de aansluitingen (blauw op de koudwatertoevoer, rood op de warmwatertoevoer) niet worden verwijderd.

De boiler moet worden aangesloten in overeenstemming met de normen en de geldende wetgeving in het land waar hij wordt geïnstalleerd.

### 8.6.1. Identificatie van de buizen op het toestel

- Elke buis is van staal met een schroefdraad  $\varnothing 20/27$  (3/4").
- De koudwaterinlaat wordt aangegeven met een blauwe kraag en de warmwateruitlaat met een rode kraag.

### 8.6.2. Leidingaansluitingen

- Leidingen kunnen hard zijn – gewoonlijk van koper (zwart staal is verboden) – of soepel (gestandaardiseerd gevlochten rvs slang).
- De aansluiting op de warmwateruitlaat moet worden uitgevoerd met behulp van de meegeleverde diëlektrische koppeling of een gietijzeren mof om corrosie van de pijpen te voorkomen (rechtstreeks contact tussen ijzer en koper). Messing koppelingen zijn verboden.
- De lektheid moet worden getest bij de installatie op de leidingen, ook bij gebruik van VPE-leidingen.

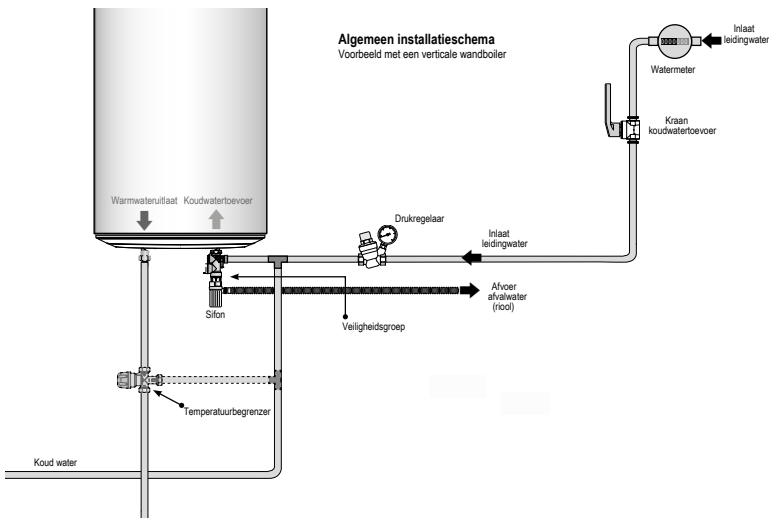
- 
- Installeer altijd een nieuwe veiligheidsgroep (niet meegeleverd) rechtstreeks op de koudwaterinlaat van de boiler, die voldoet aan de geldende normen (Europa: EN 1487), met een druk van 0,7 bar – 7 MPa – en 3/4" (20/27). Sluit de veiligheidsgroep aan op een afvoerslang. Deze dient om het water af te voeren dat vrijkomt bij het verwarmen of om af te tappen. Deze slang moet vrij kunnen aflopen in een vorstvrije omgeving en moet omlaag gericht zijn.



Sluit de veiligheidsgroep rechtstreeks aan op de koudwaterinlaat van de boiler.



De druk van het waterleidingnet is gewoonlijk minder dan 0,5 bar - 5 MPa. Installeer anders een drukregelaar op de waterinlaat na de meter (aanbevolen instelling: 0,35 MPa), nooit rechtstreeks op de boiler.



### 8.6.3. Tips en aanbevelingen

Als op de aftappunten geen thermostatische kranen staan, moet een temperatuurbegrenzer worden voorzien op de uitlaat van de boiler om het risico op brandwonden te beperken:

- Voor badkamers is de maximumtemperatuur voor SWW begrensd op 50 °C aan de aftappunten.
- In andere ruimten is de maximumtemperatuur voor SWW begrensd op 60 °C aan de aftappunten.



**In streken waar het water erg hard is (Th>20°f), bevelen we aan om het te behandelen. Met een waterontharder moet de hardheid van het water boven de 8°f blijven. De ontharder is geen afwijking van onze garantie, op voorwaarde dat hij gecertificeerd is en wordt ingesteld volgens de regels van de kunst, en regelmatig wordt gecontroleerd en onderhouden.**

### 8.7. Koudemiddelaansluiting

Zie het hoofdstuk "Koudemiddelaansluiting" in de handleiding van de buitenunit.

### 8.8. Elektrische aansluiting

Raadpleeg het elektrisch aansluitschema vooraan in deze handleiding.



**Sluit het verwarmingselement nooit rechtstreeks aan op een voeding.**

**De boiler moet continu van stroom worden voorzien voor de ACI Hybrid bescherming (anticorrosie) van de boiler.**

De boiler moet aangesloten worden op 230V/Hz wisselspanning (éénfasig). De elektrische aansluiting moet conform de installatienormen zijn en conform de geldende voorschriften in het land van installatie.

De installatie bestaat uit:

- Een omnipolaire onderbreker stroomopwaarts van de boiler (minimumafstand tussen de contacten van 3 mm : zekering, stroomonderbreker).
- Bescherming door een verliesstroomschakelaar van 30 mA.



**Het toestel moet geaard worden.**

De veiligheidsthermostaat van de elektrische verwarming mag in geen geval worden gerepareerd buiten onze fabrieken. **Het niet naleven van deze clausule doet de garantie teniet.**

In het geval van een contract met daltarief/normaaltarief zal de regeling de boiler zo veel mogelijk in de daluren laten werken. Hiervoor moet de regeling de informatie over daltarief/normaaltarief ontvangen van de meterkast (aanwezigheid/afwezigheid van 230V).

Als een rechtstreeks op het contact daltarief/normaaltarief aangesloten boiler wordt vervangen, kan de oude voeding hiervoor worden gebruikt (als die 20 ampère heeft en een kabel van 3G2.5 mm<sup>2</sup>) na aanpassing voor permanente voeding..

Wanneer een tweede voedingslijn moeilijk kan worden aangelegd, kan het contact daltarief/normaaltarief worden vervangen door de interne klok van de boiler.



**Geleid de elektrische kabels tussen de boiler en de buitenunit niet in elektrische schakelkasten of in de buurt van andere stroomkabels dan die van de voeding van de boiler.**

Let op voor schade aan de isolatiekous van de elektrische kabels bij het inbrengen in de kabelklem.

Laat de isolatie ook op de geleiders tot aan de klemmenstrook.

#### 8.8.1. Vullen van de boiler

- ❶ Open de warmwaterkra(a)n(en).
- ❷ Open de koudwaterkraan op de veiligheidsgroep (let erop dat de aftapkraan van de groep gesloten is).
- ❸ Na het doorstromen van het water via de warmwaterkranen, sluit u de kranen. Uw boiler is gevuld met water.
- ❹ Controleer de dichtheid van de aansluiting op de leidingen en de goede werking van de hydraulische inrichtingen door de aftapkraan van de veiligheidsgroep enkele keren te openen om eventuele restjes in de afvoerklep af te voeren.



## 9. Eerste inbedrijfstelling



NI

- ❶ Schakel de boiler in.
- ❷ Wanneer de boiler de eerste keer wordt ingeschakeld, verschijnen de instructies voor de instellingen op het scherm.
  - Volg de instructies op het scherm op om de parameters in te stellen
  - Taalkeuze
  - Instellen datum en uur
  - Type installatie: de tank is compatibel met 2 systemen:
    - SANI Split
    - SaniClim

selecteer:

<p>"het systeem moet alleen warm water leveren"</p> <p>SANI Split</p> <p><b>Volg voor SANI Split deze instructies voor de inbedrijfstelling</b></p>	<p>"het systeem moet warm water + verwarming/ koeling leveren".</p> <p>SaniClim</p> <p><b>Voor SaniClim zie de documentatie van de binnenunit voor de inbedrijfstelling.</b></p>
---	--

- Externe besturing
- Verwarmingsbereiken
- Elektrische verwarming
- Beheer instelwaarde
- Koudemiddelleiding

Zie het hoofdstuk "Installatieparameters" om op een ander tijdstip weer naar de instellingen te gaan.

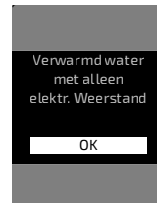
Schakel BOOST in wanneer u de boiler de eerste keer laat verwarmen, ongeacht het ingestelde werkingsbereik.



### 9.1. Gedeeltelijke installatie

Als de installatie van het systeem niet volledig is, dit wil zeggen zonder de aansluiting van de buitenunit voor SANI Split, of zonder de aansluiting van de binnenunit voor SaniClim, kan de tank worden gebruikt met alleen het hulpvermogen.

In de configuratiesequentie geeft u in het menu "koudemiddelleiding" aan dat de verbinding niet operationeel is. Het systeem werkt dan alleen met hulpvermogen.

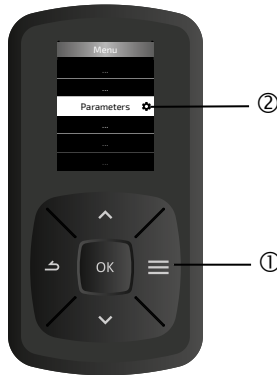


**Bij een gedeeltelijke installatie moeten de kleppen van de buitenunit niet worden geopend om het koelmiddel te laten wegvloeien.**

## 9.2. Installatieparameters

(indien niet uitgevoerd bij de inbedrijfstelling)

Om naar de verschillende installatieparameters te gaan:



### 9.2.1. Externe besturing

De boiler kan worden aangesloten op een daltariefsignaal of een signaal zelfverbruik zonnepanelen, of een Smart Grid signaal.

- Daltariefsignaal:

In deze modus kan de elektrische verwarming alleen werken wanneer het signaal aanwezig is.

Er zijn drie keuzes mogelijk voor de werking van de warmtepomp.

- Aansluiting op een fotovoltaïsch station:

In het geval van een combinatie met een fotovoltaïsch systeem is het mogelijk de overtollige energie die door het fotovoltaïsche systeem wordt geproduceerd vrijwel kosteloos op te slaan in de vorm van warm water in de boiler. Zodra het fotovoltaïsche systeem voldoende energie heeft, stuurt de omvormer van de installatie automatisch een signaal naar de warmtepompboiler die de geforceerde werking van de warmtepomp activeert. Als het signaal van de omvormer wordt onderbroken, keert de warmtepompboiler na 10 minuten automatisch terug naar de eerder gekozen werkingsmodus.

In de fotovoltaïsche modus liggen de werkingsbereiken vast. Het is mogelijk de "smart grid"-modus te kiezen om de werkingsbereiken te kunnen aanpassen.

NL

Zonder fotovoltaïsch signaal kan het systeem werken volgens de volgende 2 instellingen:

- ofwel alleen overdag, van 10 tot 17 u
- ofwel overdag en aanvullend 's nachts, indien nodig

• Smart Grid signaal:

Een smart grid is een slim elektrisch netwerk dat het mogelijk maakt de elektriciteitsdistributie en het elektriciteitsverbruik in real time te optimaliseren.

Zonder een smart grid signaal mag het systeem werken volgens de volgende 2 instellingen:

- zodra nodig
- alleen tijdens geprogrammeerde periodes

Met een smart grid signaal mag het systeem starten en zal het draaien tot de instelwaarde is bereikt.

Configuratie ingesteld in het bedieningspaneel	Gebruikt bereik	Ingang klem 11 en 12	Staat van het bereik	Verwarmen mogelijk	Instelwaarde
Daltarief	Actief bereik volgens het daltariefbereik	ON	Daltarief	ja	Normaal
		OFF	Voltijds	nee	
PV	Voorgeprogrammeerd tijdblok	ON	In het programmeerbereik	ja	max
			Buiten het programmeerbereik	ja	
		OFF	In het programmeerbereik	ja	Normaal
			Buiten het programmeerbereik	nee	
Smart Grid	Door de gebruiker geprogrammeerde tijdblokken	ON	In het programmeerbereik	ja	max
			Buiten het programmeerbereik	ja	
		OFF	In het programmeerbereik	ja	Normaal
			Buiten het programmeerbereik	nee	

**9.2.2. Verwarmingsbereiken**

Deze parameter bepaalt het inschakelbereik van de warmtepomp en de elektrische verwarming volgens de vraag naar warm water. Kan worden ingesteld als er geen verbinding is met het daltariefsignaal of met het signaal zelfverbruik zonnepanelen.

Instelling voor 7 dagen, van 0:00 tot middernacht. Elke dag mag niet meer dan 3 tijdblokken bevatten en de minimale duur van een tijdblok is 15 minuten.

**9.2.3. Elektrische verwarming**

Via dit menu kan de gebruiker het gebruik van de elektrische verwarming toestaan:

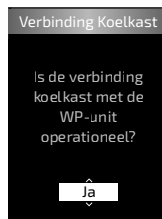
- zo weinig mogelijk: zal actief zijn als de warmtepomp buiten het werkbereik is of in storing staat.
- om de hoeveelheid warm water veilig te stellen: als de instelwaarde niet wordt bereikt, start de elektrische verwarming.

**9.2.4. Beheer instelwaarde**

Er zijn twee werkingsmodi:

- ECO+ : de boiler is autonoom en leert het verbruik aan om zich aan te passen aan de behoefte van de gebruikers en om te bezuinigen op energie, zonder compromis op het comfort van de gebruiker.
- HANDMATIG: handmatig instellen van de instelwaarde (van 50 °C tot 55 °C)

**9.2.5. Koudemiddelleiding**



Antwoord enkel met "JA" als aan alle onderstaande voorwaarden is voldaan:

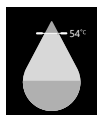
- binnen- en buitenunit zijn correct geïnstalleerd
- de koudemiddelaansluitingen van binnen- en buitenunit zijn correct geïnstalleerd
- de inbedrijfstelling is uitgevoerd door een gekwalificeerde persoon.

Anders moet u "NEEN" antwoorden.

## 10. Bedieningspaneel



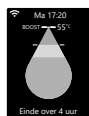
## 11. Symbolen



Hoeveelheid warm water



Afwezigheid geregistreerd  
Afwezigheid actief



Boost actief



Antilegionellacyclus

## 12. Menu



Voor het SaniClim-systeem verwijzen we naar de documentatie van de binnenunit.

### 12.1. Verbruik

Met dit menu kunt u weergeven:

- het energieverbruik in kWh voor de warmwaterproductie, voor de lopende maand, de vorige maand, het lopende jaar, het vorige jaar, sinds de inbedrijfstelling;
- het percentage warmtepompgebruik.

Als datum en tijd niet zijn ingesteld (bijvoorbeeld door een stroomonderbreking) wordt het energieverbruik niet opgeteld.

### 12.2. Afwezigheid

Met dit menu kunt u een afwezigheid programmeren:

- een permanente afwezigheid vanaf een datum
- een geprogrammeerde afwezigheid (begin- en einddatum van de afwezigheid instellen). De avond voor u weer thuis bent, wordt een antilegionellacyclus gestart (alleen voor afwezigheden van meer dan 2 dagen).

Tijdens een periode van afwezigheid wordt de watertemperatuur boven de 15 °C gehouden.

Deze functie kan altijd worden gestopt.

### 12.3. Boost

Deze functie:

- verhoogt de warmwaterproductie momentaan (1 verwarmingscyclus);
- kan voor meerdere dagen worden ingesteld (maximaal 7 dagen).

De warmtepomp en de elektrische verwarming worden tegelijk ingeschakeld. De boostmodus heeft voorrang op alle andere modi. Op het einde van de geselecteerde duur herneemt de boiler de initiële werking.

### 12.4. Beheer instelwaarde

Via deze functie kiest u de Eco+ modus of de handmatige modus (zie het hoofdstuk "13. Werkingsmodi", page 87)

In deze modus kan de instelwaarde ook handmatig worden gewijzigd.

## 12.5. Parameters

### 12.5.1. Taal



In dit menu kunt u de weergavetaal kiezen

### 12.5.2. Datum / Uur

In dit menu kunt u het uur corrigeren: na een stroomonderbreking van meer dan 5 minuten kan het nodig zijn de datum en de tijd opnieuw in te stellen.

### 12.5.3. Verwarmingsbereiken

In dit menu kunt u kiezen wanneer het systeem kan starten:

- zodra nodig: het systeem kan op elk moment starten
- alleen tijdens geprogrammeerde periodes: tijdens geprogrammeerde periodes gedurende 7 dagen

### 12.5.4. Elektrische verwarming

In dit menu kunt u kiezen wanneer de elektrische verwarming kan starten:

- zo weinig mogelijk: het water wordt uitsluitend verwarmd door de warmtepomp, behalve bij extreme luchttemperaturen, of in geval van een storing.
- om de hoeveelheid warm water veilig te stellen: de booster kan worden gestart wanneer de warmtepomp het water niet snel genoeg verwarmt.

### 12.5.5. Aansluitingsmogelijkheden

Dit toestel kan worden aangesloten en op afstand worden bediend met de Cozytouch app via uw wifiverbinding.

Download de app in een App Store en volg de instructies om uw toestel te verbinden met het internet.

Hierbij moet de QR-code op het toestel worden gescand.

### 12.5.6. Handleiding

De QR-code op het scherm geeft toegang tot de online handleiding.

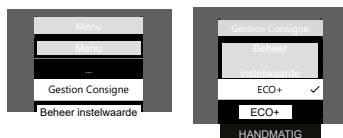
### 12.5.7. Experttoegang

Dit menu biedt toegang tot de geavanceerde functies voor informatie, instellingen en tests. Zie hoofdstuk "14. Toegang tot Expertmenu en Noodmodus", page 88.



## 13. Werkingsmodi

Via het menu "Beheer instelwaarde" zijn 2 bedrijfsmodi beschikbaar:



### 13.1. ECO+-modus

de boiler is autonoom en leert het verbruik aan om zich aan te passen aan de behoefte van de gebruikers en om te bezuinigen op energie, zonder compromis op het comfort van de gebruiker.

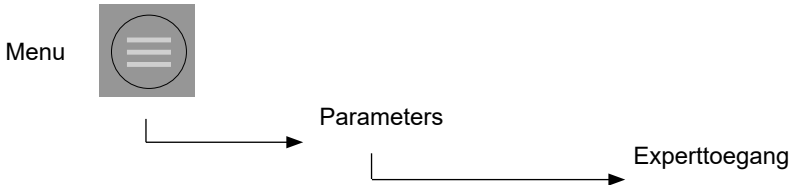
### 13.2. Handmatige modus

De gebruiker kan de temperatuur van het verwarmde water kiezen, tussen 50°C en 55°C.

## 14. Toegang tot Expertmenu en Noodmodus

Voor het SaniClim-systeem verwijzen we naar de documentatie van de binnenunit.

Naar het Expertmenu gaan:



### 14.1. Elektrische verwarming

Zie het hoofdstuk "9.2.3. Elektrische verwarming", page 83.

### 14.2. Antilegionella

In dit menu kunnen de frequentie en de instelwaarde van de cyclus (62 °C, 65 °C of 70 °C) worden ingesteld.

In de antilegionellamodus verwarmt de boiler het water gedurende een actief tijdblok tot een hoge instelwaarde.

### 14.3. Externe besturing

Zie het hoofdstuk "9.2.1. Externe besturing", page 81.

### 14.4. Diagnose en controle van de werking

Dit menu geeft toegang tot de foutengeschiedenis, tot de systeemgegevens (temperatuur warm water, warmtepomp, status warmtepomp, ...), en tot de testmodus. De testmodus wordt gebruikt om de correcte werking van de boiler te controleren.

- Warmtepomp verwarmingsmodus: starten van de buitenunit met verwarmen van water
- Warmtepomp koelmodus: starten van de buitenunit in de koelmodus om af te pompen
- Elektrische verwarming: Starten van de elektrische verwarming

In de testmodus Warmtepomp verwarmingsmodus wordt de warmtepomp 3 minuten na het inschakelen alleen als de volgende voorwaarden zijn vervuld opgestart:

- watertemperatuur bovenkant boiler lager dan 60 °C;
- luchttemperatuur tussen -10 °C en 37 °C;
- geen beperkingen voor de warmtepomp (hoge druk, stroom, ...)

Anders moet de warmtepomp worden ingeschakeld (koelmodus) om de goede werking ervan te controleren.

Als datum en tijd niet zijn ingesteld (bijvoorbeeld door een stroomonderbreking) worden de storingen niet geregistreerd in de historiek.

## 14.5. Noodmodus

Deze modus wordt gebruikt ingeval van een storing of als er geen buitenunit is aangesloten. Deze modus gebruikt alleen de elektrische verwarming tot een instelwaarde van 65°C voor de 270 l en 55°C voor de 150 l en 200 l.

In deze modus wordt voor het 270 liter model slechts de helft van het volume aan warm water gegarandeerd.

## 14.6. Software

Met dit menu worden de softwareversies voor het bedieningspaneel, de regeling en wifi weergegeven.

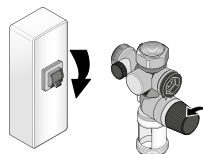
## 14.7. Herstarten

Met dit menu kunt u terugkeren naar de standaardinstellingen en terugkeren naar de opstartsequentie.

## 15. Onderhoud van de boiler


De boiler moet worden afgetapt als de afwezigheidsmodus niet kan worden gebruikt of wanneer het toestel wordt uitgeschakeld. Ga als volgt te werk:

- ❶ Schakel de stroom naar het toestel uit.
- ❷ Draai de koudwaterinlaat op de veiligheidsgroep dicht.
- ❸ Open de warmwaterkraan.
- ❹ Open de aftapkraan van de veiligheidsgroep.



Om het rendement van uw toestel te behouden, is het aangewezen om op regelmatige basis onderhoud uit te voeren.

### 15.1. Onderhoud door de gebruiker

Controlepunt	Hoe vaak	Datum van onderhoud
<p><u>Veiligheidsgroep</u> : Draai de overdrukklep open. Controleer of er water uitkomt.</p> 	1 tot 2 keer per maand	
<p><u>Algemene staat</u>: Controleer de algemene staat van uw toestel (<i>storingscodes, waterlek aan de aansluitingen, ...</i>).</p>	1x/maand	

## 15.2. Onderhoud door de vakman



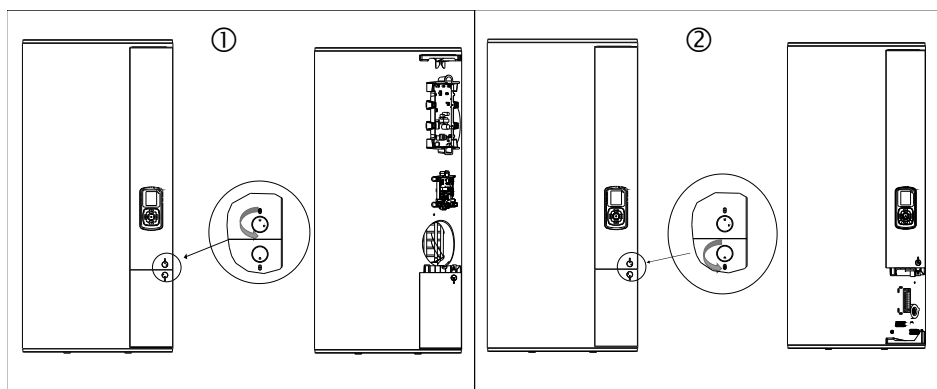
De boiler moet spanningsvrij zijn voordat die wordt geopend.



Bij het vervangen van de dompelaar of het openen van de boiler moet u de boiler laten leeglopen en de pakking vervangen.

### 15.2.1. Toegang tot de onderdelen van de boiler

① Het bovenste deel verwijderen:



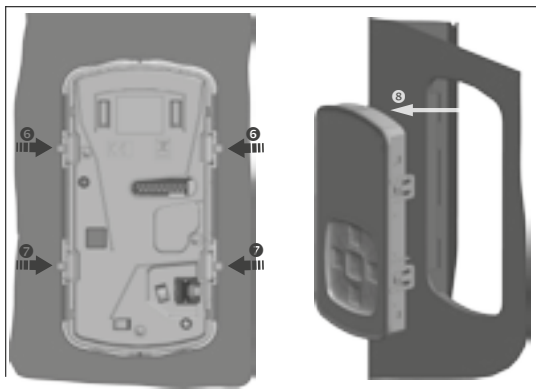
- Draai de bovenste knop een kwartslag
- Duw het bovenste deel omhoog

② Het onderste deel verwijderen:

- Draai de onderste knop een kwartslag
- Duw het onderste deel een 30 mm omlaag
- Trek het deel naar u toe

### Bedieningspaneel verwijderen

- ⑥ Houd het voorpaneel vast en duw op de 2 clips achteraan het bedieningspaneel om het uit het deksel te verwijderen
- ⑦ Duw op de 2 lagere clips
- ⑧ Verwijder het bedieningspaneel



### 15.2.2. Handelingen uit te voeren door de installateur

#### Om de 2 jaar, afhankelijk van de waterkwaliteit:

- Boiler ontkalken:
  - Hard water TH > 25 °f om de 2 jaar
  - Neutraal water 15 °f tot 25 °f om de 3 jaar.
 (Frequentie aan te passen aan de hoeveelheid kalk verwijderd bij het 1e onderhoud)

## 16. Storingsdiagnose

Ingeval van een storing, gebrek aan verwarming of het vrijkomen van stoom bij het aftappen, schakel de elektrische voeding uit en waarschuw uw installateur.

### 16.1. Weergave van storingscodes



**Werkzaamheden in verband met het verhelpen van storingen mogen alleen worden uitgevoerd door een vakman.**

NI

Druk op OK om de pieptoon te stoppen. Wanneer de storing is verholpen, verschijnt de foutmelding opnieuw voor een laatste bevestiging.

Weergegeven code	Oorzaak	Gevolgen	Diagnose en oplossing
Err W.3	Defecte hulsvoeler ( <i>watertemperatuur</i> ) of buiten meetbereik ( <i>temperatuur &lt;0 °C of &gt; 85 °C</i> ).	Uitlezen watertemperatuur onmogelijk: Geen verwarming.	Controleer de aansluitingen en de plaatsing van de voeler. Controleer de weerstandswaarde van de sensor. Indien OK, de voeler vervangen.
Err W.7	Geen water in de boiler of open keten in ACI-verbinding.	Geen verwarming.	Vul de boiler met water. Controleer het ACI-circuit ( <i>AC-aansluitingen, bedrading en geleidingsvermogen water...</i> ).
Err W. 10	Geen communicatie tussen het bedieningspaneel en de vermogenskaart	Opwarming met elektrische verwarming in de noodmodus tot 55 °C	Controleer de verbindingen en kabels tussen het bedieningspaneel en de vermogenskaart.
Err W.11	Geen detectie daltariefsignaal.	De boiler zal draaien zonder rekening te houden met het daltarief.	Controleer de bedrading en het sturen van daltariefsignaal. Verander de instellingen van de startparameters.
Err H.15	Datum/Uur niet ingesteld	De boiler zal draaien zonder rekening te houden met de geprogrammeerde tijdblokken.	Datum en uur instellen.

Weergegeven code	Oorzaak	Gevolgen	Diagnose en oplossing
Err W.17	Defecte voeler bovenkant boiler ( <i>temperatuur &lt; 0 °C of &gt; 110 °C</i> )	Verwarming tot op de geprogrammeerde instelwaarde. Alleen de weergave van de hoeveelheid warm water is inconsistent.	Controleer de aansluitingen en de plaatsing van de voeler. Controleer de weerstandswaarde van de sensor. Indien OK, de voeler vervangen.
Err W.19	Elektrische stroomtoevoer onderbroken	-	Controleer de elektrische stroomtoevoer
Err P.20	Defecte condensatievoeler ( <i>temperatuur &lt; 0 °C of &gt; 100 °C</i> )	Warmtepomp stopt. Verwarming door elektrische verwarming.	Controleer de aansluitingen en de plaatsing van de voeler. Controleer de weerstandswaarde van de sensor. Indien OK, de voeler vervangen.
Err P.21	Defecte temperatuurvoeler buitenlucht ( <i>meting &lt; -20°C of &gt; 70°C</i> ).	Warmtepomp stopt. Verwarming door elektrische verwarming.	Controleer de aansluitingen en de plaatsing van de voeler. Controleer de weerstandswaarde van de sensor. Indien OK, de voeler vervangen.
Err P.23	Vochtigheidsvoeler buitenunit defect.	Warmtepomp stopt. Verwarming door elektrische verwarming.	Controleer de aansluitingen en de plaatsing van de voeler. Controleer de weerstandswaarde van de sensor. Indien OK, de voeler vervangen.
Err P.25	Storing hogedruk	Warmtepomp stopt. Verwarming door elektrische verwarming.	Controleer de aansluiting van de drukregelaar en de bijbehorende elektrische bedrading. Controleer de druk in het koelcircuit (koeltechnicus) en ga na of er sprake is van verstoppingen of niet-condenseerbare gassen.
Err P.27	Perszijdige voeler defect	Warmtepomp stopt. Verwarming door elektrische verwarming.	Controleer de aansluitingen en de plaatsing van de voeler. Controleer de weerstandswaarde van de sensor. Indien OK, de voeler vervangen.



Weergegeven code	Oorzaak	Gevolgen	Diagnose en oplossing
Err P.29	Storing perstemperatuur	Warmtepomp stopt. Verwarming door elektrische verwarming.	Controleer de hoeveelheid koudemiddel in de installatie. Controleer de werking van de buitenunit en of de servicekleppen open staan. Controleer de weerstandswaarde van de sensor, controleer de hoeveelheid koudemiddel in de installatie (door te wegen), vervang het gas (risico op niet-condenseerbare gasen). Als de fout blijft bestaan, kan het een probleem met de compressor zijn.
Err P.30.1	Geen warmte-uitwisseling of Warmtepomp draait continu en bereikt de insteltemperatuur niet.	Warmtepomp stopt. Verwarming door elektrische verwarming.	Oververbruik of retourkring of lek in de warmwaterkring. Te weinig koelmiddel: Controleer de hoeveelheid koelmiddel in de installatie door te wegen. Niet-condenseerbare gasen: vervang het gas. Circuit geblokkeerd (leidingen afgeknel): In de koudemodus mag er geen vacuüm worden getrokken. Test de werking van de ontdooiing.
Err P.50.1	Communicatiefout tussen de vermogenskaart en de interfacekaart.	Warmtepomp stopt. Verwarming door elektrische verwarming.	Controleer de elektrische voeding van de buitenunit en de interfacekaart. Controleer de verbindingkabels 1 en 2. Controleer de communicatiekabel tussen de 2 kaarten.
Err P.50.3	Communicatiefout tussen de buitenunit en de interfacekaart.	Warmtepomp stopt. Verwarming door elektrische verwarming.	Controleer de elektrische voeding van de buitenunit. Controleer verbindingkabel 3.



Weergegeven code	Oorzaak	Gevolgen	Diagnose en oplossing
Err P.51.1	Storing in de temperatuurvoeler van de compressor	Warmtepomp stopt. Verwarming door elektrische verwarming.	Controleer de voeler van de compressor
Err P.51.4	Storing van de intensiteitssensor.	Warmtepomp stopt. Verwarming door elektrische verwarming.	Controleer de kaart van de buitenunit.
Err P.52.3	Overstroom compressor	Warmtepomp stopt. Verwarming door elektrische verwarming.	Controleer de compressor. Controleer de weerstand van de compressorwikkelingen. Controleer de werking van de buitenunit
Err P.52.4	Synchronisatie compressor	Warmtepomp stopt. Verwarming door elektrische verwarming.	Controleer de compressorbedrading. Controleer of de compressor start.
Err P.52.5	Temperatuurstoring in de voeler van de compressor	Warmtepomp stopt. Verwarming door elektrische verwarming.	Controleer de hoeveelheid koudemiddel in de installatie. Controleer of de kleppen open zijn.
Err P.52.6	Storing lagedruk	Warmtepomp stopt. Verwarming door elektrische verwarming.	Controleer de hoeveelheid koudemiddel in de installatie. Controleer of de binnenunit aangesloten is op de kleppen "AIR" en de tank op de kleppen "WATER".
Err P.52.7	Algemene storing buitenunit.  Fout magneetventiel	Warmtepomp stopt. Verwarming door elektrische verwarming.	Compatibiliteitsprobleem software door vervanging van de interfacekaart of kaart buitenunit. Controleer of de klep gesloten blijft als de service niet in de warmtemodus wordt gebruikt. Spoel wordt maximaal 2 minuten van gelijkstroom voorzien.

Weergegeven code	Oorzaak	Gevolgen	Diagnose en oplossing
Err P.52.8	Storing PFC (perfluorkoolstof)	Warmtepomp stopt. Verwarming door elektrische verwarming.	Vervang de kaart buitenunit. De fout kan worden veroorzaakt door overspanningen ten gevolge van stormen. De fout wordt gereset door de stroom uit en aan te zetten.
Err P.53.1	Storing ventilator	Warmtepomp stopt. Verwarming door elektrische verwarming.	Controleer of de ventilator onbemand draait. Controleer de motor en de bedrading.
Err P.56	De buitenunit is niet de correcte versie	Warmtepomp stopt. Verwarming door elektrische verwarming.	Vervang de buitenunit.

W13.1	Geen verbinding met de hub: - er is geen hub en binnenunit in het systeem - of de hub kan niet worden gekoppeld bij de eerste inbedrijfstelling	Herhaald gebruik van het hulpvermogen van de tank om het water te verwarmen.  Risico op gebrek aan warm water of onvoldoende verwarming.	Controleer of de hub stroom krijgt. Probeer de hub en de tank dichter bij elkaar te plaatsen
H.20	Communicatiestoring tussen de hub, de sleutel en de binnenunit	Onvoldoende verwarming	Controleer of de sleutel correct geplaatst is in de binnenunit. Controleer of de binnenunit stroom krijgt
W13	Communicatiestoring tussen de hub en de tank	Herhaald gebruik van het hulpvermogen van de tank om het water te verwarmen.  Risico op gebrek aan warm water of onvoldoende verwarming.	Controleer of de hub stroom krijgt. Probeer de hub en de tank dichter bij elkaar te plaatsen

NI

## 16.2. Andere storingen zonder foutcode op het scherm

Waargenomen storing	Mogelijke oorzaak	Diagnose en oplossing
Geen verwarming meer. Geen warm water.	<ul style="list-style-type: none"> <li>• Elektrische voeding van de boiler onderbroken: zekeringen, bedrading, etc...</li> <li>• Verwarmingselement of bedrading ervan buiten dienst.</li> </ul>	<ul style="list-style-type: none"> <li>• Controleer of er spanning staat op de voedingskabels van de boiler.</li> <li>• Controleer of de boiler elektrisch wordt gevoed.</li> </ul>
Hoeveelheid warm water onvoldoende.	<ul style="list-style-type: none"> <li>• Boiler te klein bemeten.</li> <li>• Werking in Handmatige modus.</li> <li>• Lek in de warmwaterkring.</li> <li>• Retourkring</li> </ul>	<ul style="list-style-type: none"> <li>• Schakel de boiler in de programmeermodus, met twee tijdblokken per dag.</li> </ul>
Water niet warm genoeg	<ul style="list-style-type: none"> <li>• De boiler krijgt niet permanent stroom.</li> <li>• Verwarmingselement of bedrading ervan gedeeltelijk buiten dienst.</li> <li>• Koud water wordt teruggestuurd in de warmwaterkring.</li> <li>• SWW-kring op de installatie.</li> </ul>	<ul style="list-style-type: none"> <li>• Controleer of de boiler permanent stroom krijgt.</li> <li>• Meet de weerstand van de elektrische weerstand en controleer of de kabelbundel in goede staat is.</li> <li>• Draai de koudwaterinlaat op de afsluitkraan van de veiligheidsgroep dicht. Laat vervolgens warm water uit een kraan lopen. Wacht 10 minuten. Als er een lek is, zoek de defecte kraan en/of controleer of de veiligheidsgroep goed geplaatst is.</li> <li>• Verwijder de SWW-kring.</li> </ul>
Laag debiet uit de warmwaterkraan.	<ul style="list-style-type: none"> <li>• Filter veiligheidsgroep vuil.</li> <li>• kalk in de boiler</li> </ul>	<ul style="list-style-type: none"> <li>• Reinig het filter.</li> <li>• Ontkalk het toestel.</li> </ul>

Waargenomen storing	Mogelijke oorzaak	Diagnose en oplossing
Continu waterverlies aan de veiligheidsgroep buiten verwarmingsperiode.	<ul style="list-style-type: none"> <li>• Veiligheidsventiel beschadigd of vuil.</li> <li>• Druk in het leidingnet te hoog.</li> </ul>	<ul style="list-style-type: none"> <li>• Vervang de veiligheidsgroep.</li> <li>• De druk bij uitrede watermeter mag niet meer dan 0,5 MPa (5 bar) bedragen; anders moet u een drukregelaar afgesteld op 0,3 MPa (3 bar) installeren aan het begin van de waterdistributie.</li> </ul>
De elektrische verwarming werkt niet.	<ul style="list-style-type: none"> <li>• Mechanische thermostaat in veiligheid.</li> <li>• Weerstand defect.</li> </ul>	<ul style="list-style-type: none"> <li>• Reset de beveiliging van de thermostaat bij de elektrische verwarming.</li> <li>• Vervang de weerstand.</li> </ul>
Condensaat loopt over ( <i>stilstaand water in het onderste deel van de buitenunit</i> )	<ul style="list-style-type: none"> <li>• Condensatafvoer verstopt.</li> </ul>	<ul style="list-style-type: none"> <li>• Reinigen.</li> </ul>
Geur	<ul style="list-style-type: none"> <li>• Geen sifon op de veiligheidsgroep</li> <li>• Geen water in de sifon van de veiligheidsgroep.</li> </ul>	<ul style="list-style-type: none"> <li>• Installeer een sifon.</li> <li>• Vul de sifon.</li> </ul>
Er komt stoom vrij bij het aftappen.	<ul style="list-style-type: none"> <li>• Elektrische verwarming permanent ingeschakeld.</li> </ul>	<ul style="list-style-type: none"> <li>• Schakel de elektrische voeding uit en waarschuw uw installateur.</li> </ul>
De warmtepomp werkt buiten het daltarief.	<ul style="list-style-type: none"> <li>• Geen detectie daltariefsignaal.</li> </ul>	<ul style="list-style-type: none"> <li>• Controleer de bedrading en het sturen van daltariefsignaal.</li> <li>• Verander de instelling van het daltariefsignaal.</li> </ul>



Waargenomen storing	Mogelijke oorzaak	Diagnose en oplossing
De warmtepomp werkt niet lang, en de elektrische verwarming werkt bijna de hele tijd.	<ul style="list-style-type: none"> <li>• Luchttemperatuur buiten de bedrijfslimieten</li> <li>• Storing voeler buitenunit</li> <li>• Verdamer sterk vervuild</li> <li>• Aanwezigheid van niet-condenseerbaar materiaal</li> </ul>	<ul style="list-style-type: none"> <li>• Wacht tot de temperatuur binnen de bedrijfslimieten is</li> <li>• Waarschuw de installateur.</li> <li>• Reinig de verdamer.</li> <li>• Laat het circuit leeglopen en vul het opnieuw.</li> </ul>
Storing bedieningspaneel of schermprobleem.	<ul style="list-style-type: none"> <li>• Geen elektrische voeding.</li> <li>• Storing bedieningspaneel</li> <li>• Storing van de vermogenskaart.</li> </ul>	<ul style="list-style-type: none"> <li>• Controleer de elektrische voeding.</li> <li>• Vervang het bedieningspaneel.</li> </ul>
De warmtepomp start niet	<p>Niet voldaan aan startvoorwaarden</p> <ul style="list-style-type: none"> <li>• bovenkant boiler te warm;</li> <li>• omstandigheden buiten werkingsbereik;</li> <li>• antipendel</li> </ul>	<ul style="list-style-type: none"> <li>• Werking normaal. Voer een test uit in de koelmodus (minder voorwaarden).</li> </ul>
Geen weergave	<ul style="list-style-type: none"> <li>• Geen voeding</li> <li>• het bedieningspaneel is defect, het water wordt verwarmd door de elektrische verwarming in de noodmodus tot 50 °C</li> </ul>	<ul style="list-style-type: none"> <li>• Controleer het elektrische paneel</li> <li>• Controleer de verbindingen tussen de vermogenskaart en het bedieningspaneel</li> </ul>
Andere: Neem contact op met de dienst na verkoop		

Controleer de werking van de boiler na het onderhoud of het oplossen van een storing.

## 17. Weerstandswaarde voelers in functie van de temperatuur

**Perszijdige voeler buitenunit/Condensatievoeler**

°C	K ohm
0	169
5	130
10	101
15	79
20	63
25	50
30	40
35	32

°C	K ohm
40	26
45	22
50	18
55	15
60	12
65	10
70	8,7
75	7,4

°C	K ohm
80	6,3
85	5,4
90	4,6
95	4
100	3,4
105	3
110	2,6
115	2,3
120	2

**Vochtigheidsvoeler buitenunit**

°C	K ohm
-30	96
-25	69
-20	50
-15	37
-10	28
-5	21
0	16
5	12

°C	K ohm
10	9,6
15	7,6
20	6
25	4,8
30	3,8
35	3,1
40	2,5
45	2,1

°C	K ohm
50	1,7
55	1,4
60	1,2
65	1
70	0,8
75	0,7
80	0,6

**Luchtvoeler buitenunit/Hulsvoeler/Voeler bovenkant boiler**

°C	K ohm
-10	62
-5	47
0	35
5	27
10	21
15	16

°C	K ohm
20	13
25	10
30	8
35	6,4
40	5,2
45	4,2

°C	K ohm
50	3,5
55	2,8
60	2,4
65	2
70	1,6
75	1,4
80	1,2

NL

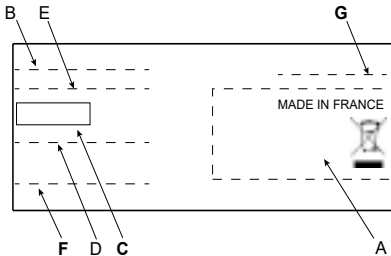
## 18. Dienst na verkoop

Vermeld voor elke bestelling bij een merkverdelers het exacte type van het toestel en het serienummer op het typeplaatje.

De adresgegevens van de dienst na verkoop vindt u op de achterkant van deze handleiding.

**Gebruik enkel originele reserve-onderdelen van de fabrikant.**

**Elke interventie aan elektrische onderdelen moet aan een gespecialiseerde vakman worden toevertrouwd.**



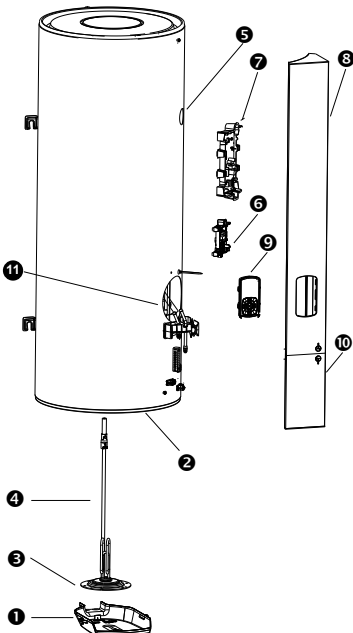
- A Normen, kwaliteitslabel
- B Merksnaam
- C Handelscode
- D Productiereferentie
- E Commerciële benaming
- F Serienummer
- G Fabrikantnummer

Boiler: typeplaatje naast het deksel.

Buitenunit: typeplaatje naast het toegangsdeksel van de klemmenstrook.

**Schakel het toestel altijd uit alvorens het deksel te openen (voor informatie over het openen van het deksel, zie: "15.2.1. Toegang tot de onderdelen van de boiler", page 91).**

Reserveonderdelen kunnen rechtstreeks door de vakman worden besteld op het Dienstenplatform dat toegankelijk is op de website van het merk.



1	Deksel
2	Thermische veiligheid
3	SWW-voeler
4	Warmteweerstand
5	Voeler bovenkant boiler
6	Regelkaart
7	Interfacekaart buitenunit
8	Voorpaneel
9	Bedieningspaneel
10	Onderste dop
11	Condensorvoeler



## 19. Technische kenmerken

Boiler		150 liter	200 liter
Afmetingen	mm	H 1177 x B 567 x D 586	H 1497 x B 567 x D 586
Leeg gewicht	kg	53	63
Capaciteit	L	150	200
Warm-/koudwateraansluiting	"	3/4	3/4
Aansluiting koudemiddelleidingen	"	3/8 & 1/4, flare-type	3/8 & 1/4, flare-type
Corrosiebescherming		ACI Hybrid	ACI Hybrid
Minimum geleidingsvermogen water	μS/cm	40	40
Maximale waterdruk	MPa / bar	0,8 / 8	0,8 / 8

Buitenunit		model SANI Split	compatibel met SaniClim
Afmetingen	mm	H 535 x B 735 x D 330	H 542 x B 867 x D 353
Aansluiting koudemiddelleidingen	"	3/8 & 1/4, flare-type	3/8 & 1/4, flare-type
Gewicht	kg	24	32

Binnenunit		model SaniClim 7	model SaniClim 9	model SaniClim 12
Afmetingen	mm	H 270 x B 834 x D 222		
Aansluiting koudemiddelleidingen	"	3/8		
Gewicht	kg	10		

Belangrijkste kenmerken:				
P. koeling nominaal (min./max)	W	2 000 (1524/3200)	2 500 (1530/3300)	3 400 (1530/3500)
P. verwarming nominaal (min./max.)	W	2500 (1276/5200)	2800 (1280/5400)	4 000 (1339/5700)
P. verwarming bij -7°C***	W	3900	4100	4100
P.abs nominaal koeling	W	400	565	895
P.abs nominaal verwarming	W	500	590	960
Luchtdebiet (binnenunit) PV/GV verwarming	m3/u	330/720	330/750	330/780
Max. luchtdebiet (buitenunit) GV verwarming	m3/u	1540	1540	1680

NL

Binnenunit		model SaniClim 7	model SaniClim 9	model SaniClim 12
Luchtdebiet (binnenunit) PV/ GV koeling	m <sup>3</sup> /u	320/650	320/700	320/700
Max. luchtdebiet (buitenunit) GV koeling	m <sup>3</sup> /u	1590	1590	1760
<i>Airco verwarmingsvermogen:</i>				
EER / SEER gemiddeld klimaat		5.00 / 7.40	4.42 / 7.40	3.80 / 7.30
COP / SCOP gemiddeld klimaat		5.00 / 4.60	4.79 / 4.70	4.17 / 4.70
SCOP warmer climate		5	5,10	5,10
Geluidsdruk (binnenunit) PV/GV (koeling)	dB(A)	22 / 38	22 / 40	22 / 40
Geluidsvermogen (binnen- unit) (koeling)	dB(A)	54	55	55
Geluidsdruk (buitenunit) (koeling)	dB(A)	47	47	50
Geluidsvermogen (buiten- unit) (koeling)	dB(A)	58	58	60
Geluidsdruk (binnenunit) PV/GV (verwarming)	dB(A)	22/41	22/42	22/42
Geluidsvermogen (binnen- unit) (verwarming)	dB(A)	56	57	58
Geluidsdruk (buitenunit) (verwarming)	dB(A)	47	47	50
Geluidsvermogen (buiten- unit) (verwarming)	dB(A)	60	60	62
<i>Werkingsbereik:</i>				
Verwarming	°C	-15 tot 24	-15 tot 24	-15 tot 24
Koeling	°C	-10 tot 46	-10 tot 46	-10 tot 46

<b>Gemonteerd systeem</b>		<b>model SANI Split</b>	<b>compatibel met SaniClim</b>
<i>Aansluiting van elektrische bedrading (spanning/frequentie)</i>		230 V éénfasig 50 Hz	230 V éénfasig 50 Hz
<i>Maximaal opgenomen vermogen boiler</i>	W	3250	3630
<i>Opgenomen vermogen warmtepomp</i>	W	1450	1830
<i>Opgenomen vermogen elektrische hulpweerstand</i>	W	1800	1800
<i>Minimumlengte koudemiddelleiding</i>	m	5	5
<i>Maximumlengte koudemiddelleiding zonder extra koudemiddel</i>	m	15	15
<i>Maximumlengte koudemiddelleiding met extra koudemiddel</i>	m	20	Absoluut verboden 15 m max
<i>Maximum hoogteverschil tussen hoogste en laagste punt koudemiddelcircuit</i>	m	15	15
<i>Regelbereik instelwaarde watertemperatuur</i>	°C	50 tot 55	50 tot 55
<i>Werkingsbereik temperatuur warmtepomp (luchttemperatuur)</i>	°C	-15 tot 37	-15 tot 37
<i>Initiële hoeveelheid vloeibaar koudemiddel</i>	kg	0,700	0,800
<i>CO2-equivalent</i>	ton CO2-equivalent	0,47	0,54
<i>Hoeveelheid vloeibaar koudemiddel in verhouding tot watervolume</i>	kg/L	150 l: 0,0047 200 l: 0,0035	150 l: 0,004 200 l: 0,005
<i>GWP gebruikt gas</i>	-	675	675

<b>Prestaties bij luchttemperatuur van 7 °C (CDC LCIE 103-15/D)</b>		<b>model SANI Split</b>		<b>compatibel met SaniClim</b>	
		<b>150 liter</b>	<b>200 liter</b>	<b>150 liter</b>	<b>200 liter</b>
<i>Prestatiecoëfficiënt (COP)*</i>	-	3,09	3,07	3,08	3,06
<i>Opgenomen vermogen bij constant toerental (Pes)*</i>	W	17	18	20	22
<i>Opwarmtijd (tr)*</i>	u.min	02.22	02.59	01.54	02.35
<i>Referentietemperatuur (Tref)*</i>	°C	52,9	54,1	52,9	53,6

<i>Capaciteitsprofiel</i>	-	L	L	L	L
<i>Max. hoeveelheid gemengd water bij 40° C (V40)*</i>	L	202,2	268,9	199,1	267,6
<i>V40td (8 u daltarif)</i>	L	234,7	303,3	231,88	303,0
<i>Energie-efficiëntie (nwh)*</i>	%	127	126	127	126

\* Prestaties gemeten in levering fabriek ECO-modus handmatig van 10 °C tot 55 °C bij de 150L-versie en 10 °C tot 54 °C bij de 200L-versie bij atmosferische druk volgens de procedure van het lastenboek van de NF-markering Elektrische prestaties Nr. LCIE 103-15/D, voor autonome warmtepompboilers met accumulatie (gebaseerd op de norm EN 16147).

\*\*Getest in een galnkamer, volgens het protocol van de EN12102-2 norm.

\*\*\*Max vermogen buiten ontdooicyclus

## 20. Conformiteitsverklaring

Dit toestel is conform met de volgende richtlijnen:

- 2014/35/EU betreffende laagspanning
- 2014/53/EU betreffende radioapparatuur (Radio Equipment Directive)
- 2014/30/EU betreffende elektromagnetische compatibiliteit (EMC)
- 2011/65/UE, 2015/863/UE, 2017/2102/UE betreffende de beperking van het gebruik van gevaarlijke stoffen (RoHS)
- 2013/814/EU in aanvulling op Richtlijn 2009/125/EG Ecologisch ontwerp

Verklaart dat de tests met betrekking tot de laagspanningsrichtlijn zijn uitgevoerd volgens de onderstaande normen:

Huishoudelijke en soortgelijke elektrische apparaten - Veiligheid:	EN 60335-1: 2012 + A11: 2014 + A12: 2017 + A13: 2017 + A1: 2019 + A2: 2019 + A14: 2019 + A15: 2021 EN 60335-2-21: 2021 + A1: 2021 EN 60335-2-40: 2003 + A1: 2006 + A2: 2009 + A11: 2004 + A12: 2005 + A13: 2012 EN 62233: 2008
--	---

Verklaart dat het product conform is met de vereisten van Richtlijn RED 2014/53/EU, volgens de hiernavolgende omschrijving:

Voor SANI Split:

Omschrijving:	HM009 SF HWNM01 DHW
Type:	RADIOZENDERONTVANGER WIFI 2400 TOT 2483,5 MHz
Max. antennevermogen:	20 dBm

Voor SaniClim-systeem:

Omschrijving:	HM009 SF HWNM02 DHW
Type:	RADIOZENDERONTVANGER WIFI EN ZIGBEE 2400 TOT 2483,5 MHz
Max. antennevermogen:	20 dBm

De volledige EU-conformiteitsverklaring van dit apparaat is op verzoek verkrijgbaar bij onze afdeling klantenservice (adres- en contactgegevens achter in de handleiding of op onze website: [https://www.generalbenelux.com/fr\\_be/infotheque/telechargements/](https://www.generalbenelux.com/fr_be/infotheque/telechargements/)).

Verklaart dat de vereiste radiotesten zijn uitgevoerd, volgens de hiernavolgende normen:

Elektromagnetische compatibiliteit:	EN 301489-17: 2020
Efficiënt gebruik van het radiospectrum:	EN 300328: 2020

Jaar van aanbrengen van de CE-markering:	2023
--	------



## 21. Garantie

### 21.1. Garantiedekking

In deze garantie zijn de volgende storingen uitgesloten:

**Afwijkende omgevingsomstandigheden:**

- Eender welke schade veroorzaakt door vallen of schokken nadat het toestel de fabriek heeft verlaten.
- De plaatsing van het toestel in een niet-vorstvrije of niet-weerbestendige ruimte (vochtige, agressieve of slecht geventileerde omgeving).
- Gebruik van water met agressiviteitscriteria zoals beschreven in DTU Loodgieterij 60-1, bijvoegsel 4 warm water (gehalten aan chloor, sulfaten, calcium, soortelijke weerstand en KAV).
- TH water < 8°f.
- Waterdruk hoger dan 0,5 MPa (5 bar).
- Overspanning (*net, bliksem, ...*).
- Schade door niet aantoonbare problemen door de keuze van de plaatsing (*moeilijk bereikbare ruimten*) en die voorkomen had kunnen worden door een onmiddellijke reparatie van het toestel.

**Een installatie die niet overeenstemt met de regelgeving, normen en erkende technische regels, met name:**

- Veiligheidsgroep verplaatst of buiten werking gesteld (*drukregelaar, terugslagklep of ventiel, ... tussen de boiler en de veiligheidsgroep*).
- Afwezigheid van of niet correct gemonteerde nieuwe veiligheidsgroep conform de norm NF EN 1487, wijziging van de afstelling, ...
- Afwezigheid van moffen (*gietijzer, staal of isolerend*) op de warmwaterleidingen waardoor er corrosie kan optreden.
- Slechte elektrische aansluiting: niet conform de norm NFC 15-100, niet correcte aarding, ontoereikende kabeldikte, aansluiting met flexibele kabels zonder metalen koppeling, het niet respecteren van de aansluitschema's van de fabrikant.
- Onder spanning zetten van het toestel zonder eerst te vullen (droog opwarmen).
- Plaatsing van het toestel en/of de buitenunit niet conform met de instructies in de handleiding.
- Uitwendige corrosie ten gevolge van een slechte dichting van de leidingen.
- Installatie van het toestel in een sanitair circuit.
- Parameters slecht ingesteld.
- Koudemiddelleidingen niet conform voorschriften (dikte, lengte of hoogteverschil).

**Foutief onderhoud:**

- Abnormale kalkaanslag op de verwarmingselementen of de veiligheidscomponenten.
- Geen onderhoud van de veiligheidsgroep waardoor er overdruk ontstaat.
- Het niet reinigen van de verdampers en de afvoer van condensaat.
- Aanpassen van originele onderdelen, zonder advies van de fabrikant of gebruik van reserveonderdelen die niet door de fabrikant worden aanbevolen.

## 21.2. Garantievorwaarden

De boiler moet worden geïnstalleerd door een bevoegd persoon in overeenstemming met de erkende technische regels, geldende normen en beschrijvingen van onze technische dienst.

De boiler moet dienen voor normaal gebruik en regelmatig worden onderhouden door uitsluitend erkende personen.

Onder deze omstandigheden bestaat onze garantie uit het gratis vervangen of leveren aan onze leverancier of installateur van de erkende defecte onderdelen door onze diensten, of in voorkomend geval van het toestel, met uitzondering van de arbeidskosten, transportkosten en alle schadeloosstelling en verlenging van de garantie.

Onze garantie treedt in werking vanaf de dag van de installatie (*installatiefactuur geldt als bewijs*). Bij ontbreken van een document zal de datum bestaan uit de datum van fabricage op het identificatielabel van het toestel plus zes maanden.

De garantietermijn van het vervangen onderdeel of de vervangen boiler (*onder garantie*) loopt af op hetzelfde moment als de garantietermijn van het oorspronkelijke onderdeel of de oorspronkelijk geplaatste boiler.

NB: De kosten of schade door een verkeerde installatie (*bijv. bevrozing, veiligheidsgroep niet aangesloten op afvoer van afvalwater, afwezigheid van opvangbak*) of door moeilijke toegang, kunnen in geen geval worden verhaald op de fabrikant.

De bepalingen van deze garantievorwaarden gelden onverminderd de wettelijke garantie voor verborgen storingen of defecten die van toepassing zijn in elke toestand onder de voorwaarden van artikel 1641 en het Burgerlijk Wetboek.

### **Een defect onderdeel rechtvaardigt in geen geval de vervanging van het toestel. Vervang het defecte onderdeel.**

Wij garanderen dat de noodzakelijke reserve-onderdelen voor de producten leverbaar blijven gedurende 10 jaar vanaf de fabricagedatum van de toestellen.

Voor informatie over de garantievorwaarden en termijnen, verwijzen wij u naar de algemene voorwaarden.



**Een toestel dat schade heeft veroorzaakt moet ter plaatse ter beschikking lijven van de deskundigen, de eiser moet zijn verzekeraar informeren.**

### ☉ AFDANKEN:



Vooraleer u het toestel demonteert, moet u de spanning uitzetten en het toestel aftappen.

Bij de verbranding van bepaalde onderdelen kunnen giftige gassen vrijkomen; daarom mag het toestel niet worden verbrand.

Op het einde van zijn levensduur moet het toestel worden gebracht naar een recyclingcentrum voor elektrische en elektronische apparaten, uitgerust voor koelmiddelherwinning. Voor meer informatie over bestaande inzamelplaatsen, neemt u contact op met de plaatselijke ophaaldienst.

Het koelmiddel in uw toestel mag in geen geval terechtkomen in de atmosfeer.

Het is ten strengste verboden het koudemiddel te laten ontsnappen.

---

**TABLE DES MATIERES**


---

AVERTISSEMENTS .....	112
1. Précautions d'emploi .....	116
2. Présentation .....	119
2.1. Consignes de sécurité .....	119
2.2. Contenu de l'emballage .....	119
2.3. Manutention .....	119
3. Dimensions .....	120
4. Accessoires .....	121
5. SANI Split : Schéma électrique de mise en service .....	122
6. SaniClim : Schéma électrique de mise en service .....	123
7. SaniClim : Schéma électrique pour la maintenance .....	124
8. Installation .....	126
8.1. Choix du lieu d'installation .....	126
8.2. Surface minimale de la pièce .....	126
8.3. Grilles : contraintes concernant le nombre, la taille et la position .....	127
8.4. Emplacement .....	128
8.5. Mise en place du produit .....	129
8.6. Raccordement hydraulique .....	130
8.7. Raccordement frigorifique .....	132
8.8. Raccordement électrique .....	132
9. Première mise en service .....	134
9.1. Installation partielle .....	135
9.2. Paramètres d'installation .....	136
10. Le panneau de commandes .....	139
11. Les affichages .....	139
12. Le menu .....	140
12.1. Consommations .....	140
12.2. Absence .....	140
12.3. Boost .....	140
12.4. Gestion consigne .....	140
12.5. Paramètres .....	141
13. Les modes de fonctionnement .....	142
13.1. Mode ECO+ .....	142



13.2. Mode Manuel .....	142
14. Accès au menu Expert et au mode Secours .....	143
14.1. Appoint électrique .....	143
14.2. Anti-légionnelle .....	143
14.3. Pilotage externe .....	143
14.4. Diagnostic et vérification du bon fonctionnement .....	143
14.5. Mode secours .....	144
14.6. Logiciel .....	144
14.7. Réinitialiser .....	144
15. Entretien du chauffe-eau .....	145
15.1. Entretien par l'utilisateur .....	145
15.2. Entretien par le professionnel .....	146
16. Diagnostic de panne .....	148
16.1. Affichage des codes erreurs .....	148
16.2. Autres pannes sans affichage de codes erreurs .....	152
17. Valeurs ohmiques des sondes en fonction des températures .....	155
18. Service après-vente .....	156
19. Caractéristiques techniques .....	157
20. Déclaration de conformité .....	161
21. Garantie .....	162
21.1. Champ d'application de la garantie .....	162
21.2. Conditions de garantie .....	163

**AVERTISSEMENTS**

Cet appareil n'est pas prévu pour être utilisé par des personnes (y compris les enfants) dont les capacités physiques, sensorielles ou mentales sont réduites, ou des personnes dénuées d'expérience ou de connaissance, sauf si elles ont pu bénéficier, par l'intermédiaire d'une personne responsable de leur sécurité, d'une surveillance ou d'instructions préalables concernant l'utilisation de l'appareil.

Il convient de surveiller les enfants pour s'assurer qu'ils ne jouent pas avec l'appareil.

Cet appareil peut être utilisé par des enfants âgés d'au moins 3 ans et par des personnes ayant des capacités physiques, sensorielles ou mentales réduites ou dénuées d'expérience ou de connaissance, s'ils (si elles) sont correctement surveillé(e) s ou si des instructions relatives à l'utilisation de l'appareil en toute sécurité leur ont été données et si les risques encourus ont été appréhendés. Les enfants ne doivent pas jouer avec l'appareil. Le nettoyage et l'entretien par l'utilisateur ne doivent pas être effectués par des enfants sans surveillance. Les enfants de 3 à 8 ans ne sont autorisés à actionner que le robinet relié au chauffe-eau.

**INSTALLATION :**

**ATTENTION :** Produit lourd à manipuler avec précaution :

1/ Installer l'appareil dans un local à l'abri du gel. La destruction de l'appareil par surpression due au blocage de l'organe de sécurité est hors garantie.

2/ S'assurer que la cloison est capable de supporter le poids de l'appareil rempli d'eau.

3/ Si l'appareil doit être installé dans un local ou un emplacement dont la température ambiante est en permanence à plus de 35°C, prévoir une aération de ce local.

4/ Dans une salle de bain ne pas installer ce produit dans les volumes V0, V1 et V2. Si les dimensions ne le permettent pas, ils peuvent néanmoins être installés dans le volume V2.

5/ Placer l'appareil dans un lieu accessible.

6/ Se reporter aux figures d'installation du chapitre Installation.



- Fixation d'un chauffe-eau vertical mural : Pour permettre l'échange éventuel de l'élément chauffant, laisser au-dessous des extrémités des tubes du chauffe-eau un espace libre de 480 mm.
- Les dimensions de l'espace nécessaire pour l'installation correcte de l'appareil sont spécifiées dans le chapitre Installation.
- Le chauffe-eau vertical sur socle doit obligatoirement être fixé au sol à l'aide d'un système de fixation prévu pour cet usage.
- Il est impératif d'installer un bac de rétention sous le chauffe-eau lorsque celui-ci est positionné dans le faux plafond, des combles ou au dessus de locaux habités. Une évacuation raccordée à l'égout est nécessaire.

- Ce produit est destiné pour être utilisé à une altitude maximale de 2 000 m.
- Ce chauffe-eau est vendu avec un thermostat ayant une température de fonctionnement supérieure à 60°C en position maximale capable de limiter la prolifération des bactéries de Légionelle dans le réservoir. Attention, au-dessus de 50°C, l'eau peut provoquer immédiatement de graves brûlures. Faire attention à la température de l'eau avant un bain ou une douche.

### **RACCORDEMENT HYDRAULIQUE :**

Installer obligatoirement à l'abri du gel un organe de sécurité neuf, de dimensions  $\frac{3}{4}$ » et de pression 0,7 MPa (7 bar) sur l'entrée du chauffe-eau, qui respectera les normes locales en vigueur.

Le dispositif de vidange du limiteur de pression doit être mis en fonctionnement régulièrement afin de retirer les dépôts de tartre et de vérifier qu'il ne soit pas bloqué.


Un réducteur de pression (non fourni) est nécessaire lorsque la pression d'alimentation est supérieure à 0,5 MPa (5 bar) qui sera placé sur l'alimentation principale.

Raccorder l'organe de sécurité à un tuyau de vidange, maintenu à l'air libre, dans un environnement hors gel, en pente continue vers le bas pour l'évacuation de l'eau de dilatation de la chauffe ou l'eau en cas de vidange du chauffe-eau.

Vidange : Couper l'alimentation électrique et l'eau froide, Ouvrir les robinets d'eau chaude puis manœuvrer la soupape de vidange de l'organe de sécurité.

Contrôler régulièrement l'absence de fuite sur la tuyauterie.

## RACCORDEMENT ELECTRIQUE :

- Avant tout démontage du capot, s'assurer que l'alimentation est coupée pour éviter tout risque de blessure ou d'électrocution.
- L'installation électrique doit comporter en amont de l'appareil un dispositif de coupure omnipolaire (disjoncteur, fusible) conformément aux règles d'installation locales en vigueur (disjoncteur différentiel 30mA).
- Si le câble d'alimentation est endommagé, il doit être remplacé par le fabricant, son service après-vente ou des personnes de qualification similaire afin d'éviter un danger.
- La mise à la terre est obligatoire. Une borne spéciale portant le repère  est prévue à cet effet.
- Se reporter aux schémas de câblage dans la notice.
- la notice d'utilisation de cet appareil est disponible en contactant le service après-vente
- Il est important de respecter les précautions d'installation et d'emploi définies dans cette notice pour le bon fonctionnement du produit.

## 1. Précautions d'emploi

Les travaux d'installation et de service sur les chauffe-eau thermodynamiques peuvent présenter des dangers en raison de hautes pressions et de pièces sous tension électrique. Les chauffe-eau thermodynamiques doivent être installés, mis en service et entretenus par un personnel formé et qualifié uniquement.

Conserver les liaisons frigorifiques hermétiquement closes (pincées, repliées, et de préférences brasées).

L'humidité nuit fortement au bon fonctionnement et à la durée de vie du produit. En cas de pollution, il devient difficile et parfois impossible de dépolluer le circuit.

Manuel à conserver, même après installation du produit.

### Installation :

- Se débarrasser des matériaux d'emballage comme il se doit. Déchirer les emballages plastiques et les mettre au rebut dans un endroit où des enfants ne risquent pas de jouer avec. Les emballages plastiques non déchirés peuvent être la cause d'étouffement.
- Cet appareil ne renferme aucune pièce réparable par l'utilisateur. Le confier à un installateur.
- Avant toute intervention, s'assurer que l'alimentation électrique générale est coupée et consignée.
- L'installation doit être réalisée en respectant impérativement les normes en vigueur sur le lieu d'installation et les instructions d'installation du constructeur.
- Les appareils ne sont pas anti-déflagrants et ne doivent donc pas être installés en atmosphère explosible.
- En cas de déménagement, faire appel à un installateur pour la dépose et l'installation de l'appareil.
- Veiller à utiliser les pièces fournies ou spécifiées dans la notice lors des travaux d'installation.

### Fluide frigorigène R32 :

- Ce fluide inflammable impose de respecter des surfaces et volumes minimum de pièce où l'appareil est installé, stocké ou utilisé. S'assurer que l'application du chantier est en phase avec la taille des pièces traitées et la charge en fluide de l'installation (respect de la norme EN 378-1 et IEC 60335-2-40).
- Ne pas introduire dans l'appareil d'autres substances que le fluide frigorigène préconisé.

- Ne pas libérer le réfrigérant dans l'atmosphère. En cas de fuite de réfrigérant, pendant l'installation, aérer la pièce. A la fin de l'installation, aucune fuite de réfrigérant ne doit être présente sur le circuit. Une fuite de fluide R32 couplée à une source d'inflammation peuvent dégager des gaz toxiques.
- Ne pas toucher le fluide frigorigène lors de fuite des liaisons ou autre. Un contact direct peut provoquer des gelures.
- Les fluides frigorigènes peuvent ne pas dégager d'odeur.
- Respecter les règles de sécurité et d'usage du réfrigérant R32.
- Respecter les réglementations nationales en matière de gaz.
- Ne pas percer ni brûler l'appareil.
- Un dudgeon réalisé à l'intérieur du bâtiment ne doit pas être réutilisé. Le raccord évasé sur la tuyauterie devra être retiré et un nouveau raccord évasé devra être refabriqué.
- Un dudgeon réalisé à l'extérieur du bâtiment peut être réalisé sans restriction.
- Ne pas utiliser de dispositifs autre que ceux recommandés par le fabricant pour accéder le processus de dégivrage ou pour nettoyer l'appareil.
- Eloigner de l'appareil toute source de flamme nue ou d'inflammation.

### Raccordement électrique :

- L'installation électrique doit être réalisée conformément à la réglementation en vigueur.
- Cet appareil est prévu pour fonctionner sous une tension nominale de 230 Volts 50Hz. A aucun moment (y compris lors des phases de démarrage), la tension ne doit passer en dessous de 198 V ou au-dessus de 264 V aux bornes de l'appareil.
- La longueur maximale du câble est fonction d'une chute de tension qui doit être inférieure à 2 %. Utiliser une section de câble supérieure si la chute de tension est de 2 % ou plus.
- Les raccordements électriques ne seront effectués que lorsque toutes les autres opérations de montage (fixation, assemblage, ...) auront été réalisées.
- Vérifier que le câblage n'est pas sujet à l'usure, à la corrosion, à une pression excessive, aux vibrations, à des bords tranchants ou à tout autre effet néfaste de l'environnement.
- Le contrat souscrit avec le fournisseur d'énergie doit être suffisant pour couvrir non seulement la puissance de l'appareil mais également la somme des puissances de tous les appareils susceptibles de fonctionner en même temps. Lorsque la puissance est insuffisante, vérifier auprès du fournisseur d'énergie la valeur de la puissance souscrite dans votre contrat.
- Obtenir de l'opérateur du réseau de distribution électrique les spécifications du câble et le courant harmonique, etc.
- Ne jamais utiliser de prise de courant pour l'alimentation.
- Utiliser un circuit d'alimentation dédié. Ne pas partager l'alimentation avec un autre appareil.
- Utiliser une ligne d'alimentation indépendante protégée par un disjoncteur omnipolaire avec ouverture des contacts supérieures à 3 mm pour alimenter l'appareil.

- Veiller à placer le disjoncteur à un endroit où les utilisateurs ne peuvent pas le démarer ou l'arrêter involontairement (local annexe, ...). Lorsque le tableau électrique se trouve en extérieur, le refermer et le verrouiller afin qu'il ne puisse pas être facilement accessible.
- Ne jamais toucher les composants électriques immédiatement après que l'alimentation ait été coupée. Un choc électrique peut se produire. Après la mise hors tension, toujours attendre 10 minutes avant de toucher aux composants électriques. L'électricité statique présente dans le corps humain peut endommager les composants. Evacuer l'électricité statique de votre corps.
- Un câblage incorrect peut endommager l'ensemble du système.
- Lorsque le voltage est trop bas ou s'effondre lors du démarrage de l'appareil, celui-ci peut avoir du mal à démarrer. Dans ce cas, consulter votre fournisseur d'énergie.
- S'assurer de la sécurité de tous les câbles, d'utiliser les fils respectant les normes en vigueur, et qu'aucune force ne s'exerce sur le raccordement des bornes et sur les câbles.

### Raccordement frigorifique :

- Tous les circuits frigorifiques craignent les contaminations par les poussières et l'humidité. Si de tels polluants s'introduisent dans le circuit frigorifique ils peuvent concourir à dégrader la fiabilité des unités. Il est nécessaire de s'assurer du confinement correct des liaisons et des circuits frigorifiques des unités. En cas de défaillance ultérieure et sur expertise le constat de présence d'humidité ou de corps étrangers dans l'huile du compresseur entraînerait systématiquement l'exclusion de garantie.
- Vérifier que les liaisons frigorifiques sont bien obturées (bouchons plastiques ou tubes écrasés aux extrémités et brasés). Si les bouchons doivent être retirés en cours de travail (tubes recoupés par exemple), les remonter le plus vite possible afin d'éviter une contamination du tube.
- Ne pas utiliser de pâte d'étanchéité pour les liaisons frigorifiques car celle-ci peut obstruer ou polluer l'intérieur des liaisons. Son utilisation entraînera la mise hors garantie de l'appareil.
- Ne pas utiliser d'huile minérale ordinaire sur les raccords «Flare». Utiliser de l'huile frigorifique compatible au R32 en évitant au maximum qu'elle ne pénètre dans le circuit, au risque de réduire la longévité du matériel.
- Utiliser de l'azote sec pour éviter l'introduction d'humidité nuisible au fonctionnement de l'appareil.
- Ne pas utiliser de liaison usagée, déformée ou décolorée mais une liaison neuve de qualité frigorifique.



## 2. Présentation

### 2.1. Consignes de sécurité

Les travaux d'installation et de mise en service sur les chauffe-eau thermodynamiques peuvent présenter des dangers en raison de hautes pressions et de pièces sous tension électrique.

Les chauffe-eau thermodynamiques doivent être installés, mis en service et entretenus par un personnel formé et qualifié uniquement.

### 2.2. Contenu de l'emballage



1 notice



1 sachet contenant le raccord diélectrique et 2 joints pour la sortie eau chaude



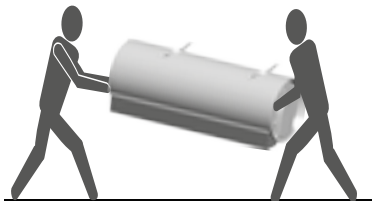
2 manchons d'isolation pour le raccordement frigorifique



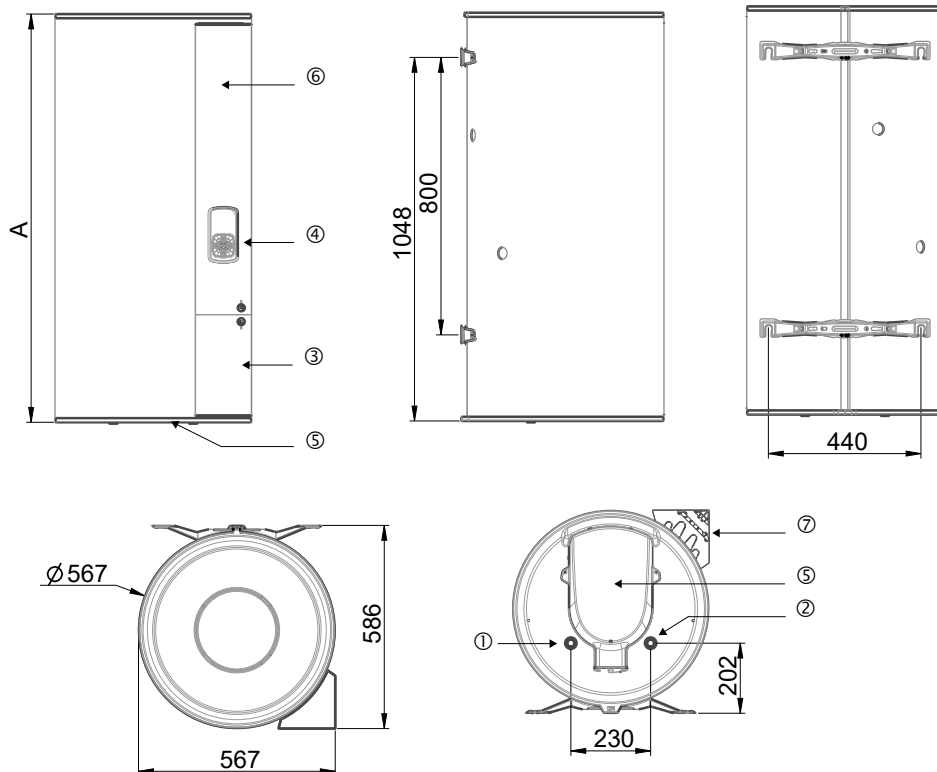
Patte de fixation au mur

### 2.3. Manutention

Le chauffe-eau vertical mural peut être porté en utilisant les poignées sur les fonds.



### 3. Dimensions



	150 l	200 l
Cote A	1177	1497

①	Piquage eau chaude 3/4"
②	Piquage eau froide 3/4"
③	Boîtier raccordement électrique
④	Ecran de régulation
⑤	Emplacement appont électrique & sécurité mécanique ; position de la sonde doigt de gant
⑥	Position sonde haut ballon
⑦	Raccord frigorifique (Entrée : 3/8", sortie : 1/4")

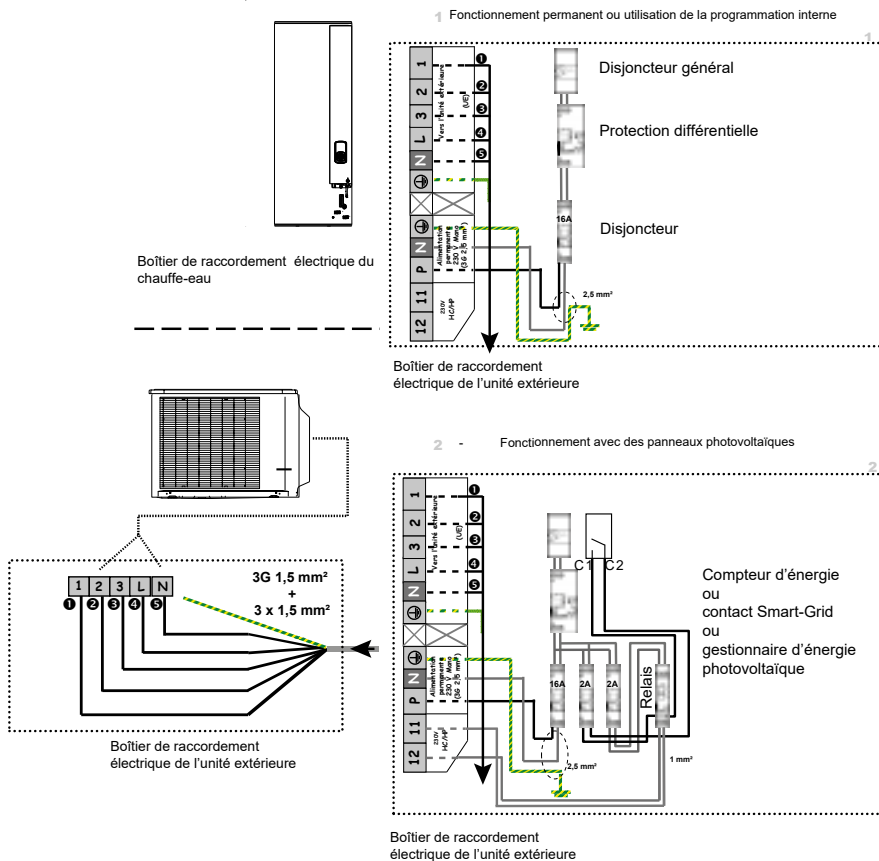
## 4. Accessoires

Trépied pour chauffe-eau vertical mural

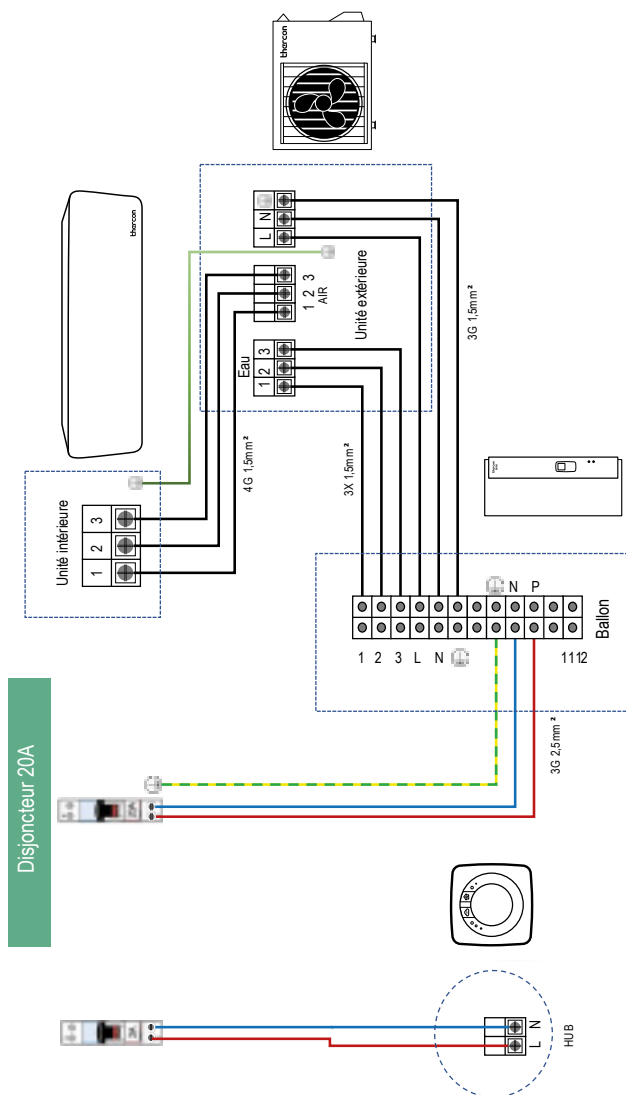


## 5. SANI Split : Schéma électrique de mise en service

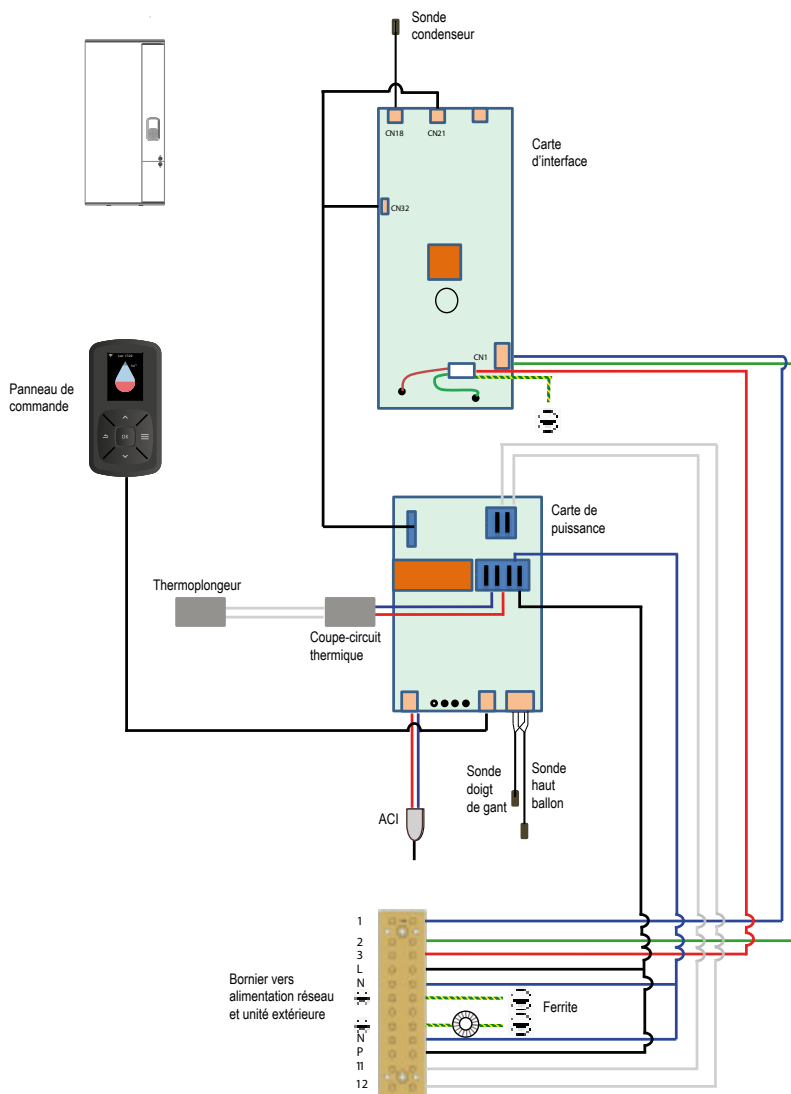
Afin d'assurer la protection contre la corrosion de la cuve, le chauffe-eau doit être alimenté en permanence.



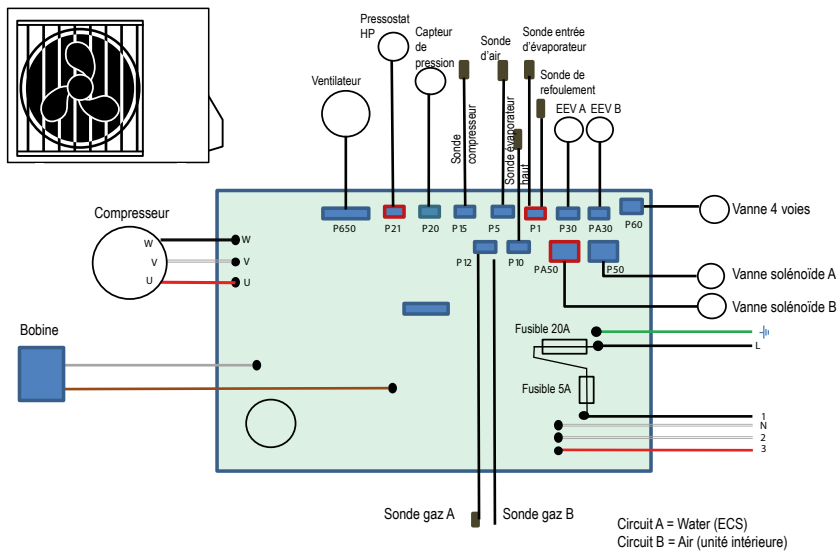
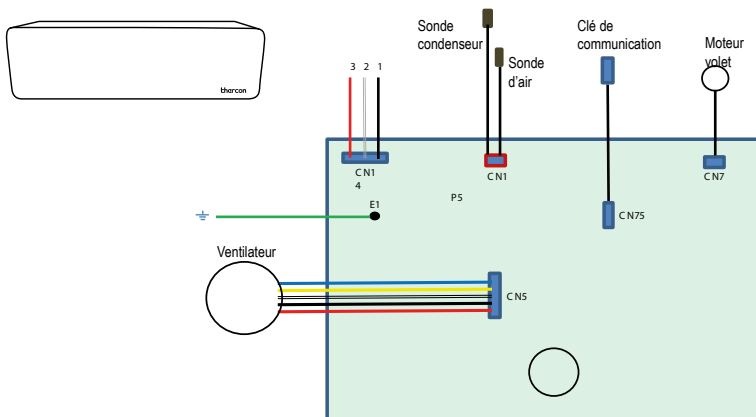
## 6. SaniClim : Schéma électrique de mise en service



## 7. SaniClim : Schéma électrique pour la maintenance



TOUTES LES CARTES ET TOUTES LES SONDAS ONT UNE TENSION DE 230 V



TOUTES LES CARTES ET TOUTES LES SONDAS ONT UNE TENSION DE 230 V


FR

## 8. Installation

### 8.1. Choix du lieu d'installation

- Placer le chauffe-eau à l'abri du gel.
- Le positionner le plus près possible des points d'utilisation importants.
- S'il est placé en dehors du volume habitable (cellier, garage), calorifuger les tuyauteries. La température ambiante autour du chauffe-eau ne doit pas dépasser 40 °C.
- S'assurer que l'élément support est suffisant pour recevoir le poids du chauffe-eau plein d'eau.
- Prévoir en face de chaque élément électrique un espace suffisant de 500 mm pour l'entretien périodique de l'élément chauffant.
- Installer un bac de rétention sous le chauffe-eau lorsque celui-ci est positionné dans un faux-plafond, combles ou au-dessus de locaux habités. Une évacuation raccordée à l'égout est nécessaire.

### 8.2. Surface minimale de la pièce



L'installation du produit dans une pièce fermée par une porte acoustique (étanche) est strictement interdite, le produit nécessitant un renouvellement par ventilation naturelle de l'air environnant.

Conformément à la norme IEC 60335-2-40 (exigences de sécurité et d'environnement des PAC) étendue aux charges de fluide inférieures à  $m_1$ , le ballon ainsi que toutes les liaisons frigorifiques qui traversent le domaine habité, doivent être installés dans des locaux respectant les données ci-après.

Cas du local sans ventilation mécanique :

- Installation dans un local ne contenant aucun autre appareil électrique ou interrupteur électrique (contraintes liées à la toxicité).
- La surface du local doit être supérieure à 1m<sup>2</sup>\*

Nota : La surface ci-dessus est donnée pour une hauteur de plafond de 2,5 m. Si la hauteur de plafond est différente de 2,5 m et égale à la valeur H en mètre, multiplier la valeur ci-dessus par 2,5/H.

- Installation dans un local contenant au moins un autre appareil électrique ou un interrupteur électrique (contraintes liées à l'inflammabilité)
- La surface du local doit être supérieure à 6m<sup>2</sup>\*

\*Dans les deux cas, si la pièce comporte des ouvertures / grilles d'aération naturelle conformes aux critères de taille et de positionnement définis dans le paragraphe suivant, la surface de la pièce adjacente peut être prise en compte dans le calcul de la surface minimale.



Cas du local avec ventilation mécanique :

Dans ce cas, il n'existe pas de contrainte en terme de surface minimale, à condition que la ventilation respecte les critères ci-dessous :

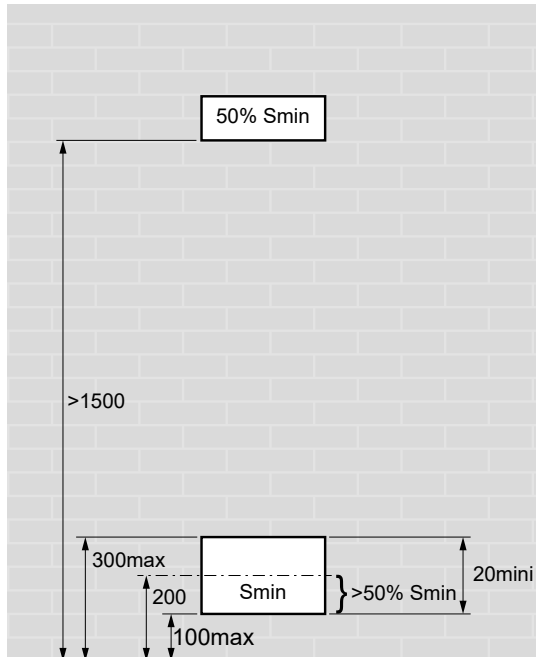
- Débit de ventilation supérieur à 60m<sup>3</sup>/h.
- Le point le plus bas de la bouche d'extraction est à moins de 100mm du sol.
- L'air est ventilé vers l'extérieur, ou vers un local dont la surface est supérieure à 4m<sup>2</sup>.

La ventilation peut être permanente, ou déclenchée sur détection de fluide frigorigène.

### 8.3. Grilles : contraintes concernant le nombre, la taille et la position

Ces contraintes sont données par la norme IEC 60335-2-40, annexe GG.

Nombre et position : les deux grilles de ventilation sont impérativement positionnées selon le schéma ci-dessous.



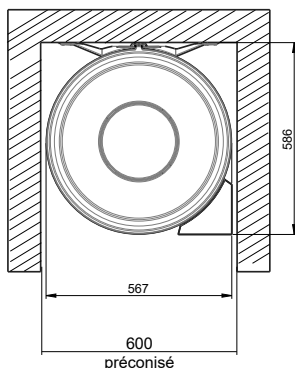
Taille des ouvertures : leur taille minimale  $S_{min}$  en  $cm^2$  dépend de la charge en R32 et de la surface de la pièce dans laquelle est installé le produit. Voir tableau ci-dessous.

Surface de la pièce dans laquelle est installé le produit en $m^2$	Placard 0,36~0,42	1	2	3	4	5	6
Surface minimale ( $S_{min}$ ) de la grille de ventilation inférieure en $cm^2$	300	250	200	150	100	50	-

## 8.4. Emplacement

### Installation en placard fermé étanche interdite.

Type de mur portant le chauffe-eau :  (un gabarit de fixation est imprimé sur le carton d'emballage)	<ul style="list-style-type: none"> <li>Murs de faible épaisseur (cloison de type plaques de plâtre) : tiges filetées <math>\varnothing</math> 10mm traversant le mur reliées par des profilés ou contre-plaques.</li> <li>Murs épais en dur (béton, pierre, brique) : Procéder au scellement de boulons <math>\varnothing</math> 10mm, ou au percement pour recevoir des chevilles de type MOLY <math>\varnothing</math> 10mm.</li> <li>Les chauffe-eau verticaux muraux peuvent être posés sur un trépied dans le cas où la cloison ne peut pas supporter le poids de l'appareil. Une fixation de l'étrier supérieur est obligatoire. Utiliser le trépied préconisé par le constructeur.</li> </ul>
Hauteur sous plafond :	<ul style="list-style-type: none"> <li>&gt; 1,26 m pour le 150 l et 1,57 m pour le 200 l</li> </ul>
Emplacement conseillé :	<ul style="list-style-type: none"> <li>Dans le volume chauffé</li> </ul>

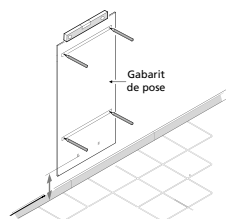
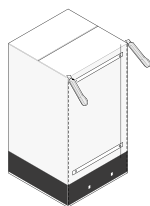


## 8.5. Mise en place du produit



**Installer impérativement un bac de récupération d'eau raccordé à l'égout, sous le chauffe-eau, en particulier lorsque celui-ci est positionné au-dessus de locaux habités.**

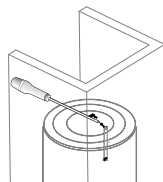
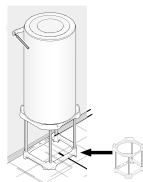
- Découper le gabarit imprimé sur le carton et l'utiliser pour faire les marquages.



Percer puis cheviller votre chauffe-eau en utilisant des fixations de diamètre ( $\varnothing$ ) 10 mm minimum adaptées à votre mur (plaque de plâtre, béton, brique).

L'utilisation d'un trépied est obligatoire s'il s'agit d'un mur non porteur (ne pouvant pas supporter le poids du ballon rempli). Dans ce cas, une fixation du chauffe-eau au mur est obligatoire, soit avec l'étrier supérieur, soit avec la patte de fixation (qui permet une intégration dans un placard de dimensions intérieures à 600 x 600 mm).

Poser le chauffe-eau d'abord sur son trépied pour marquer les points de fixation.  
Réaliser les perçages.  
Installer le chauffe-eau à sa place.  
Le fixer au mur.




**Installation en placard non ventilé interdite**



**Fixer l'étrier supérieur ou la patte de fixation.**

## 8.6. Raccordement hydraulique

Avant de procéder au raccordement hydraulique, il est absolument indispensable de bien nettoyer les tuyauteries d'alimentation afin de ne pas risquer d'introduire dans la cuve du chauffe-eau des particules métalliques ou autres.



**L'installation d'un bouclage sanitaire sur l'appareil est interdite. En cas de défaillance de l'appareil sur une installation avec bouclage, la garantie ne s'applique pas (pour plus d'informations, contacter le SAV).**

En cas de raccord avec joint plat, ne pas retirer les bagues d'étanchéité placées à l'intérieur des piquages (bleue sur l'arrivée d'eau froide, rouge sur l'arrivée d'eau chaude).

Le chauffe-eau devra être raccordé conformément aux normes et à la réglementation en vigueur dans le pays où il sera installé.

### 8.6.1. Repérage des tubulures sur l'appareil

- Chaque tubulure est en acier avec l'extrémité filetée au pas du gaz Ø 20/27 (3/4").
- L'entrée d'eau froide est repérée par une collerette bleue et la sortie d'eau chaude par une collerette rouge.

### 8.6.2. Raccordement aux tubulures

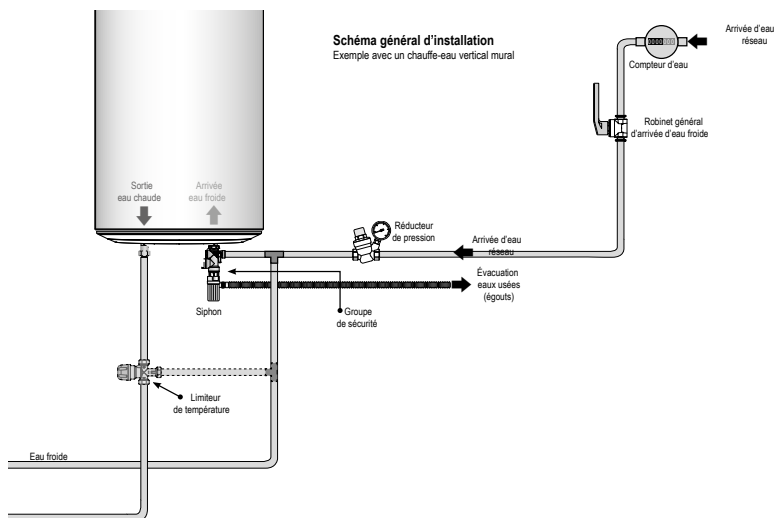
- La nature des tuyauteries peut être rigide – elles sont généralement en cuivre (l'acier noir est interdit) – ou souple (tresse inox flexible normalisée).
- Le raccordement sur la sortie eau chaude devra impérativement être réalisé à l'aide du raccord diélectrique fourni ou d'un manchon en fonte afin d'éviter la corrosion de la tubulure (contact direct fer / cuivre). Les raccords laiton sont interdits à ce niveau.
- L'étanchéité doit être effectuée à l'installation sur les tubulures, y compris dans le cas d'utilisation de tuyaux PER.
- Installer obligatoirement un groupe de sécurité neuf (non fourni) directement sur l'entrée d'eau froide du chauffe-eau, qui respectera les normes en vigueur (en Europe : EN 1487), de pression 0,7 MPa – 7 bar – et de dimension 3/4" (20/27). Raccorder le groupe de sécurité à un tuyau de vidange. Il sert à évacuer l'eau qui s'expande lors de la chauffe mais aussi lors d'une vidange. Cette évacuation doit être maintenue à l'air libre, dans un environnement hors gel et en pente continue vers le bas.



**Raccorder directement le groupe de sécurité sur l'entrée d'eau froide du chauffe-eau.**



La pression du réseau d'eau froide est généralement inférieure à 0,5 MPa - 5 bar. Si tel n'est pas le cas, prévoir un réducteur de pression qui sera positionné sur l'arrivée d'eau après le compteur (réglage conseillé : 0,35 MPa), jamais directement au chauffe-eau.



FR

### 8.6.3. Conseils et recommandations

Si les points de puisage ne sont pas équipés de mitigeurs thermostatiques, un limiteur de température doit être installé en sortie de chauffe-eau pour limiter les risques de brûlures :

- Dans les pièces destinées à la toilette, la température maximale de l'eau chaude sanitaire est fixée à 50 °C aux points de puisage.
- Dans les autres pièces, la température de l'eau chaude sanitaire est limitée à 60 °C aux points de puisage.



Pour les régions où l'eau est très calcaire (Th > 20°f), il est recommandé de traiter celle-ci. Avec un adoucisseur, la dureté de l'eau doit rester supérieure à 8°f. L'adoucisseur n'entraîne pas de dérogation à notre garantie, sous réserve que celui-ci soit réglé conformément aux règles de l'art, vérifié et entretenu régulièrement.

## 8.7. Raccordement frigorifique

Se reporter au chapitre "raccordement frigorifique" de la notice de l'unité extérieure.

## 8.8. Raccordement électrique

Se référer aux schémas de raccordement électrique situés au verso de la couverture.



**Ne jamais alimenter électriquement et directement l'élément chauffant.**

**Le chauffe-eau doit être alimenté de façon permanente pour garantir la protection ACI hybride (Anti-Corrosion) du chauffe eau.**

Le chauffe-eau doit être raccordé sur un réseau à courant alternatif 230 V monophasé. Le raccordement électrique devra être conforme aux normes d'installation ainsi qu'aux préconisations en vigueur dans le pays où le chauffe-eau sera installé.

L'installation comportera :

- en amont du chauffe-eau un dispositif de coupure omnipolaire (ouverture contacts au minimum de 3 mm : fusible, disjoncteur).
- Une protection par un disjoncteur différentiel de 30 mA.



**La mise à la terre est obligatoire.**

Le thermostat de sécurité équipant l'appoint électrique ne doit en aucun cas subir de réparations en dehors de nos usines. **Le non respect de cette clause supprime le bénéfice de la garantie.**

En cas d'abonnement heures creuses / heures pleines, la régulation optimisera le temps de chauffe en fonction des heures creuses. Pour cela, il est alors nécessaire que la régulation reçoive l'information heures creuses / heures pleines du tableau électrique (par simple présence ou non de 230V).

En cas de remplacement de chauffe-eau branché directement sur le contact heures creuses / heures pleines, l'ancienne alimentation peut être utilisée à cet effet (si elle est en 20 ampères et câblée en 3G2.5 mm<sup>2</sup>) après adaptation en alimentation continue.

Dans certains cas où il est difficile d'établir une deuxième ligne d'alimentation, il est possible de remplacer le contact heures creuses / heures pleines par l'horloge interne du produit.



**Ne pas faire cheminer la liaison électrique chauffe-eau/unité extérieure dans des armoires électriques ou à proximité de câbles secteurs autres que l'alimentation du chauffe-eau.**

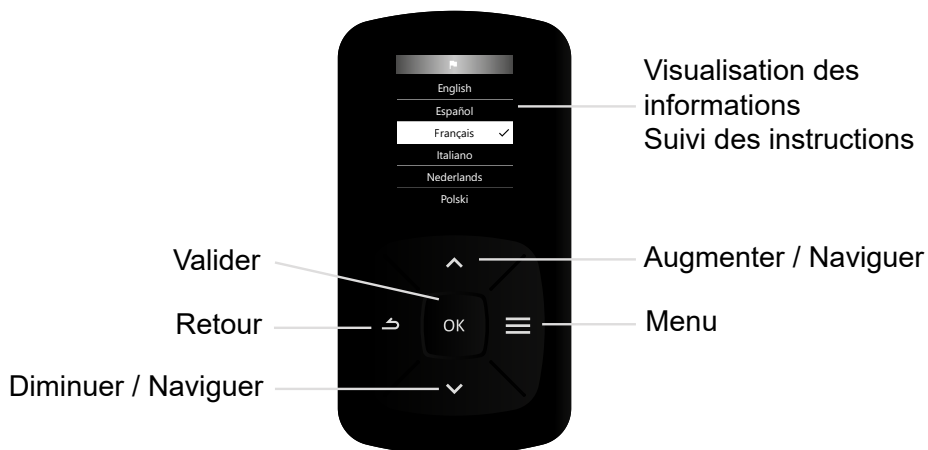
Veiller à conserver la gaine isolante des câbles électriques lors du passage dans les serre-câbles.

Veiller également à conserver l'isolation des conducteurs jusqu'au bornier de raccordement.

### 8.8.1. Remplissage du chauffe-eau

- ❶ Ouvrir le ou les robinets d'eau chaude.
- ❷ Ouvrir le robinet d'eau froide situé sur le groupe de sécurité (s'assurer que la vanne de vidange du groupe est en position fermée).
- ❸ Après écoulement aux robinets d'eau chaude, fermer ceux-ci. Le chauffe-eau est plein d'eau.
- ❹ Vérifier l'étanchéité du raccordement aux tubulures et le bon fonctionnement des organes hydrauliques en ouvrant la vanne de vidange du groupe de sécurité plusieurs fois, afin d'éliminer la présence d'éventuels résidus dans la soupape d'évacuation.

## 9. Première mise en service



- ❶ Mettre le chauffe-eau sous tension.
- ❷ A la première mise sous tension, les instructions de réglages apparaissent à l'écran. Suivre attentivement les instructions sur l'écran pour régler les paramètres
  - Choix de la langue
  - Réglage de la date et de l'heure
  - Type d'installation : le ballon est compatible avec 2 systèmes :
    - SANI Split
    - SaniClim

sélectionner :

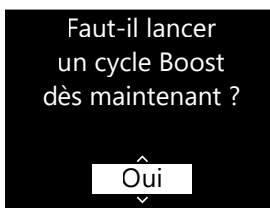
<p>"le système doit fournir l'eau chaude seulement"</p>		<p>"le système doit fournir l'eau chaude + Chauffage/Froid"</p>	
<p>SANI Split</p>		<p>SaniClim</p>	
<p><b>Pour SANI Split, suivre cette notice pour la mise en service</b></p>		<p><b>Pour SaniClim, se référer à la notice de l'unité intérieure pour la mise en service.</b></p>	



- Pilotage externe
- Plages de chauffe
- Appoint électrique
- Gestion consigne
- Liaison frigo

Pour revenir ultérieurement dans les réglages, se référer au paragraphe « Paramètres d'installation ».

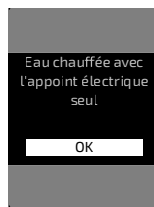
Pour la première mise en chauffe, activer le BOOST quelle que soit la plage de fonctionnement définie.



## 9.1. Installation partielle

Si l'installation du système n'est pas complète, c'est-à-dire sans le raccordement de l'unité extérieure pour le système SANI Split, ou sans le raccordement de l'unité intérieure pour le système SaniClim, il est possible de faire fonctionner le ballon avec l'appoint électrique uniquement.

Dans le tunnel de configuration, dans le menu "liaison frigo", indiquer que la liaison n'est pas opérationnelle, le système fonctionnera alors uniquement en appoint électrique.

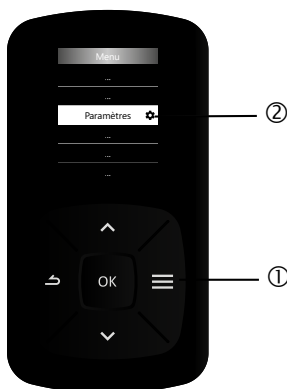


**Dans ce cas d'installation partielle, il ne faut pas ouvrir les vannes de l'unité extérieure pour libérer le fluide.**

## 9.2. Paramètres d'installation

*(si non effectués à la première mise en service)*

Pour accéder à nouveau aux différents réglages de l'installation :



### 9.2.1. Pilotage externe

Le chauffe-eau peut être raccordé à un signal Heure Creuse ou un signal autoconso photovoltaïque, ou un signal Smart Grid.

- Signal Heure Creuse :

Dans ce mode, l'appoint électrique ne peut fonctionner que lorsque le signal est présent.

Trois choix sont possibles pour le fonctionnement de la pompe à chaleur.

- Raccordement à une station photovoltaïque :

Dans le cas d'une association avec un système photovoltaïque, il est possible de stocker quasi gratuitement le surplus d'énergie produit par le système photovoltaïque, sous forme d'eau chaude dans le chauffe-eau. Une fois que l'installation photovoltaïque dispose de suffisamment d'énergie, l'onduleur de l'installation envoie automatiquement un signal au chauffe-eau thermodynamique qui active la marche forcée de la pompe à chaleur. Si le signal de l'onduleur est interrompu, le chauffe-eau thermodynamique retourne automatiquement au bout de 10 minutes dans le mode de fonctionnement sélectionné précédemment.

Dans le mode photovoltaïque, les plages de fonctionnement sont fixes. Il est possible de choisir le mode smart grid pour pouvoir adapter les plages de fonctionnement.

Sans signal photovoltaïque, le système est autorisé à fonctionner selon les 2 paramétrages suivants :

- soit la journée, uniquement, de 10 h à 17 h
- soit la journée et en complément la nuit, si besoin

• Signal Smart Grid :

Le smart grid est un réseau électrique intelligent qui permet d'optimiser en temps réel la distribution et la consommation d'électricité.

Sans signal smart grid, le système est autorisé à fonctionner selon les 2 paramétrages suivants :

- dès que nécessaire
- lors de plages programmées seulement

Avec signal smart grid, le système est autorisé à démarrer et fonctionnera jusqu'à sa consigne.

Configuration paramétré dans le panneau de commande	Plage utilisée	Entrée bornes 11 et 12	Etat de la plage	Chauffe possible	Consigne
Heures Creuses	Plage activée selon la plage Heures Creuses	ON	Heure creuse	oui	Normale
		OFF	Heure pleine	non	
PV	Plages horaires pré programmées	ON	Dans la plage de programmation	oui	Maxi
			Hors plage de programmation	oui	
		OFF	Dans la plage de programmation	oui	Normale
			Hors plage de programmation	non	
Smart Grid	Plages horaires programmées par l'utilisateur	ON	Dans la plage de programmation	oui	Maxi
			Hors plage de programmation	oui	
		OFF	Dans la plage de programmation	oui	Normale
			Hors plage de programmation	non	

### 9.2.2. Plages de chauffe

Ce paramètre définit les plages d'autorisation de démarrage de la pompe à chaleur et de l'appoint électrique en fonction du besoin en eau chaude. Il est paramétrable dans le cas où il n'y a pas de raccordement au signal heure creuse, ou au signal autoconso photovoltaïque.

Le paramétrage se fait sur 7 jours, de 0 h à minuit. Chaque jour ne peut pas comprendre plus de 3 plages et la durée minimale d'une plage est de 15 minutes.

### 9.2.3. Appoint électrique

Via ce menu, l'utilisateur peut autoriser l'utilisation de l'appoint électrique :

- le moins possible : sera actif si la pompe à chaleur est hors plage de fonctionnement ou en erreur.
- pour sécuriser la quantité d'eau chaude : si la consigne n'est pas atteinte, l'appoint électrique va démarrer.

### 9.2.4. Gestion consigne

Deux modes de fonctionnement sont proposés :

- ECO+ : le chauffe-eau est autonome et procède à l'apprentissage des consommations pour s'adapter aux besoins de l'utilisateur et faire des économies d'énergie, tout en garantissant le confort.
- MANUEL : réglage de la consigne en manuel (de 50 °C à 55 °C)

### 9.2.5. Liaison frigo

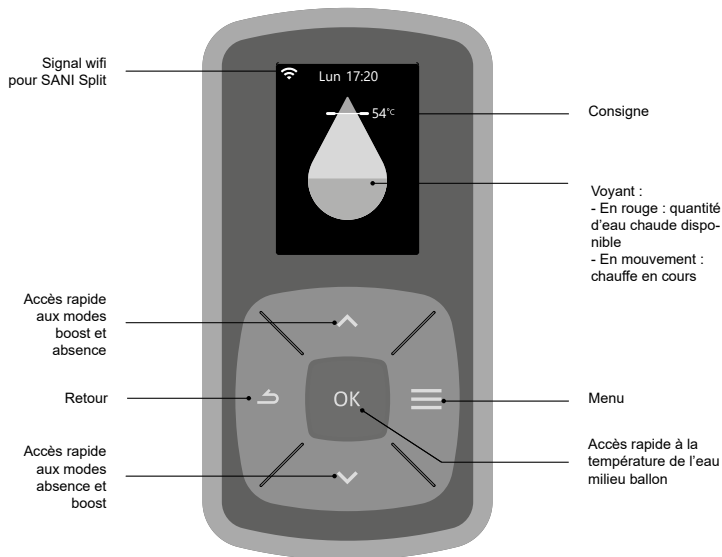


Il faut répondre "OUI" à cette question seulement si les conditions suivantes sont réunies :

- l'unité intérieure et l'unité extérieure sont bien installées
- les liaisons frigorifiques de l'unité intérieure et de l'unité extérieure sont bien raccordées
- la mise en service par une personne qualifiée a été effectuée.

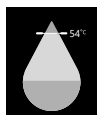
Sinon, il faut répondre "NON".

## 10. Le panneau de commandes

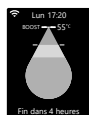


FR

## 11. Les affichages



Quantité d'eau chaude

Absence enregistrée  
Absence en cours

Boost en cours



Cycle anti-légionelle

## 12. Le menu



Pour le système SaniClim, se référer à la notice de l'unité intérieure.

### 12.1. Consommations

Ce menu permet de visualiser :

- la consommation énergétique en kwh pour la production d'eau chaude, pour le mois en cours, le mois précédent, l'année en cours, l'année précédente, depuis la mise en service ;
- le pourcentage de sollicitation de la pompe à chaleur.

Si les dates et heures ne sont pas renseignées (suite à une coupure de courant par exemple, les consommations énergétiques ne seront pas comptabilisées.

### 12.2. Absence

Ce menu permet de programmer une absence :

- permanente à partir de la date du jour
- programmée (régler les dates de début et fin de l'absence). La veille de votre retour, un cycle anti-légionnelle est enclenché (seulement pour une absence supérieure à 2 jours).

Pendant cette période d'absence, la température de l'eau est maintenue au dessus de 15° C.

La fonction peut être arrêtée à n'importe quel moment.

### 12.3. Boost

Cette fonction :

- permet d'augmenter la production d'eau chaude ponctuellement (1 cycle de chauffe) ;
- est paramétrable sur plusieurs jours (jusqu'à 7 jours).

La pompe à chaleur et l'appoint électrique se mettent en marche en même temps. Le mode boost est prioritaire sur les autres modes. A la fin de la durée choisie, le chauffe-eau reprend son fonctionnement initial.

### 12.4. Gestion consigne

Cette fonction permet de choisir le mode Eco+ ou le mode manuel (voir chapitre "13. Les modes de fonctionnement", page 142)

Ce mode permet aussi de changer manuellement la consigne.

## 12.5. Paramètres

### 12.5.1. Langue



Ce menu permet de choisir la langue d'affichage

### 12.5.2. Date / Heure

Ce menu permet de corriger l'heure : en cas de coupure de courant supérieure à 5 minutes, il peut être nécessaire de remettre à jour la date et l'heure.

### 12.5.3. Plages de chauffe

Ce menu permet de choisir quand le système peut démarrer :

- dès que nécessaire : le système peut démarrer à n'importe quel moment
- lors de plages programmées seulement : pendant les plages programmées sur 7 jours

### 12.5.4. Appoint électrique

Ce menu permet de choisir quand l'appoint électrique peut démarrer :

- le moins possible : l'eau est chauffée par la pompe à chaleur uniquement, sauf dans les conditions de température d'air extrême, ou en cas d'erreur.
- pour sécuriser la quantité d'eau chaude : l'appoint peut démarrer quand la pompe à chaleur ne chauffe pas l'eau assez vite.

### 12.5.5. Connectivité

Cet appareil peut être connecté et piloté à distance depuis l'application Cozytouch grâce à votre connexion wifi.

Pour connecter votre appareil à Internet, il faut télécharger l'application depuis une App Store et suivre les instructions.

Il sera nécessaire pendant le processus de scanner le code QR sur l'appareil.

### 12.5.6. Notice

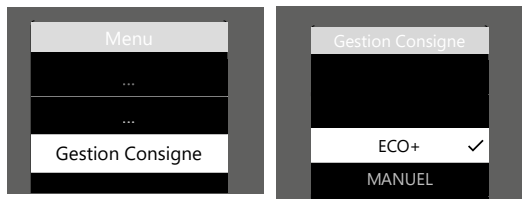
Le QR code affiché à l'écran permet d'accéder à la notice en ligne.

### 12.5.7. Accès expert

Ce menu permet d'accéder aux fonctions avancées d'informations, de paramétrages et de tests. Voir chapitre "14. Accès au menu Expert et au mode Secours", page 143.

## 13. Les modes de fonctionnement

2 modes de fonctionnement sont proposés, via le menu «Gestion consigne» :



### 13.1. Mode ECO+

Le chauffe-eau est autonome et procède à l'apprentissage des consommations pour s'adapter aux besoins de l'utilisateur et faire des économies d'énergie, tout en garantissant le confort.

### 13.2. Mode Manuel

L'utilisateur peut choisir à quelle température est chauffée l'eau, entre 50 °C et 55 °C.



## 14. Accès au menu Expert et au mode Secours

Pour le système SaniClim, se référer à la notice de l'unité intérieure.

Pour accéder au menu Expert :



### 14.1. Appoint électrique

Voir chapitre «12.5.4. Appoint électrique», page 141.

### 14.2. Anti-légionnelle

Ce menu permet de paramétrer la fréquence et la consigne du cycle (62 °C ou 65 °C ou 70 °C).

Lorsque le mode anti-légionnelle est activé, le produit réalise une chauffe à une consigne élevée pendant une plage de fonctionnement active.

### 14.3. Pilotage externe

Voir chapitre «9.2.1. Pilotage externe», page 136.

### 14.4. Diagnostic et vérification du bon fonctionnement

Ce menu permet d'accéder à l'historique des erreurs, aux données du système (température eau chaude, pompe à chaleur, état de la pompe à chaleur, ...), ainsi qu'au mode test. Le mode test permet de vérifier le bon fonctionnement du chauffe-eau.

- PAC Mode Chaud : démarrage de l'unité extérieure avec chauffe de l'eau
- PAC Mode Froid : démarrage de l'unité extérieure en mode froid pour faire un pump down
- Appoint électrique : Mise en route de l'appoint électrique

En mode test PAC Mode Chaud, la pompe à chaleur démarre, 3 minutes après la mise sous tension, seulement si les conditions suivantes sont remplies :

- température d'eau haut ballon inférieure à 60 °C ;
- température d'air comprise entre -10 °C et 37 °C ;
- absence de limitation au niveau de la pompe à chaleur (haute pression, intensité, ...)

Dans le cas contraire, il faut mettre la PAC (mode froid) pour valider son bon fonctionnement.

Si les dates et heures ne sont pas renseignées (suite à une coupure de courant par exemple), les erreurs ne seront pas enregistrées dans l'historique.

### **14.5. Mode secours**

Ce mode est utilisé en cas de défaillance ou de l'absence de l'unité extérieure. Ce mode n'utilise que l'appoint électrique et ce, jusqu'à une consigne de 65 °C pour le 270 l et 55 °C pour les 150 l et 200 l.

Dans ce mode, seule la moitié du volume d'eau chaude est garantie pour le modèle 270 l.

### **14.6. Logiciel**

Ce menu permet de visualiser les versions des logiciels pour le panneau de commande, la régulation et le wifi.

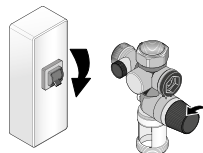
### **14.7. Réinitialiser**

Ce menu permet de revenir aux réglages par défaut et de revenir au tunnel de démarrage.

## 15. Entretien du chauffe-eau


Une vidange du chauffe-eau est nécessaire dans le cas où le mode absence ne peut pas être utilisé ou dès lors que l'appareil est mis hors tension. Procéder de la façon suivante :

- ❶ Couper l'alimentation électrique.
- ❷ Fermer l'arrivée d'eau froide au groupe de sécurité.
- ❸ Ouvrir un robinet d'eau chaude.
- ❹ Ouvrir la vanne de vidange du groupe de sécurité.




Afin de maintenir les performances de votre chauffe-eau, il est conseillé d'effectuer un entretien régulier.

### 15.1. Entretien par l'utilisateur

Vérifier	Fré- quence	Dates des entretiens
<p><u>Le groupe de sécurité</u> : Manœuvrer la vanne de sécurité. Vérifier qu'un écoulement s'effectue.</p> 	1 à 2 fois par mois	
<p><u>L'état général</u> : Vérifier l'état général de votre appareil (<i>pas d'affichage de code Err, pas de fuite d'eau au niveau des raccordements, ...</i>).</p>	1 fois par mois	

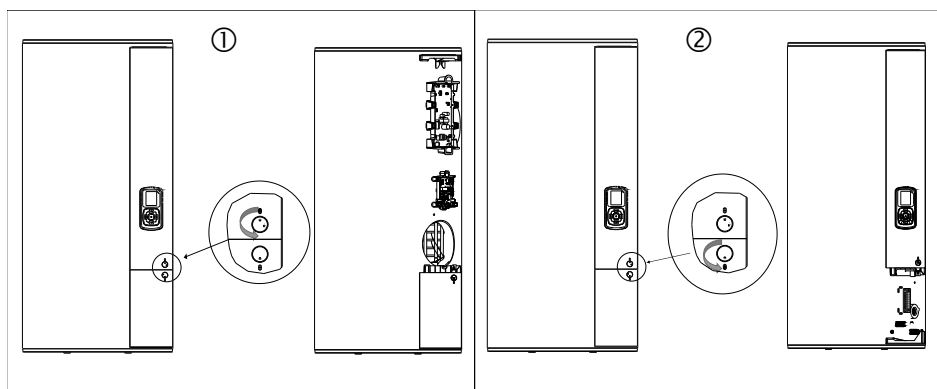
## 15.2. Entretien par le professionnel

 Le chauffe-eau doit être mis hors tension avant ouverture.

 Le remplacement du thermoplongeur ou l'ouverture du chauffe-eau implique la vidange du chauffe-eau et le remplacement du joint.

### 15.2.1. Accès aux éléments du chauffe-eau

① Retrait de la colonne supérieure :



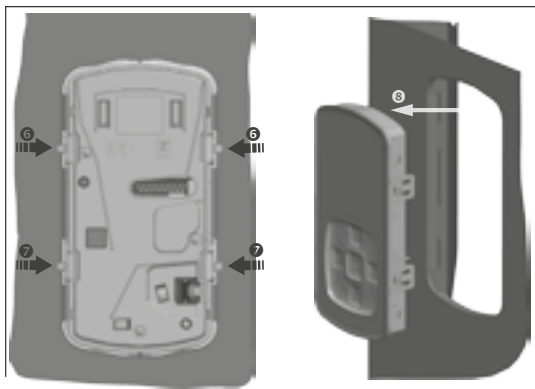
- Faire une rotation d'1/4 de tour du bouton supérieur
- Faire glisser la colonne vers le haut

② Retrait de la colonne inférieure :

- Faire une rotation d'1/4 de tour du bouton inférieur
- Faire glisser la colonne vers le bas d'environ 30 mm
- Tirer la colonne vers soi

**Pour retirer la commande**

- ⑥ Tenir le capot de façade et déboîter le haut de la commande en appuyant sur les 2 clips situés à l'arrière
- ⑦ Appuyer sur les 2 clips situés plus bas
- ⑧ Retirer la commande

**15.2.2. Opérations à effectuer par l'installateur**

**Tous les 2 ans selon la qualité de l'eau :**

- Détartrage chauffe-eau :
  - Eau dure TH > 25 °f tous les 2 ans
  - Eau neutre de 15 °f à 25 °f tous les 3 ans.(Périodicité à adapter selon la quantité de calcaire extraite au 1er entretien)

## 16. Diagnostic de panne

En cas d'anomalie, absence de chauffe ou dégagement de vapeur au soutirage, couper l'alimentation électrique et prévenir l'installateur.

### 16.1. Affichage des codes erreurs



**Les opérations de dépannage doivent être réalisées exclusivement par un professionnel.**

Le bip de l'alarme peut être suspendu en appuyant sur OK. Lorsque le défaut est corrigé, le message d'erreur réapparaît pour un dernier acquittement.

Code affiché	Cause	Conséquences	Diagnostic et dépannage
Err W.3	Sonde doigt de gant ( $T^{\circ}$ d'eau) défectueuse ou hors plage de mesure ( <i>température <math>&lt;0^{\circ}</math> C ou <math>&gt;85^{\circ}</math> C</i> ).	Lecture de la température de l'eau impossible : Pas de chauffe.	Vérifier les connexions et le bon positionnement de la sonde. Vérifier la valeur ohmique de la sonde. Si RAS, remplacer la sonde.
Err W.7	Absence d'eau dans le ballon ou liaison ACI ouverte.	Pas de chauffe.	Mettre en eau le ballon. Vérifier le circuit ACI ( <i>Connectique AC, filerie et la conductivité de l'eau...</i> ).
Err W. 10	Pas de communication entre le panneau de commande et la carte de puissance	Chauffe par l'appoint électrique en mode dégradé jusqu'à $55^{\circ}$ C	Vérifier les connexions et les câbles de liaison entre le panneau de commande et la carte de puissance.
Err W.11	Absence détection du signal Heures Creuses.	Le chauffe-eau va fonctionner sans tenir compte des périodes creuses.	Vérifier le câblage et l'émission du signal heures creuses. Modifier le paramétrage des autorisations de démarrage.
Err H.15	Date/Heure non réglée	Le chauffe-eau va fonctionner sans tenir compte des plages de programmation.	Renseigner la date et l'heure.
Err W.17	Sonde haut ballon défectueuse ( <i>température <math>&lt; 0^{\circ}</math> C ou <math>&gt; 110^{\circ}</math> C</i> )	Chauffe à la consigne programmée. Seul l'affichage de la quantité d'eau chaude est incohérent.	Vérifier les connexions et le bon positionnement de la sonde. Vérifier la valeur ohmique de la sonde. Si RAS, remplacer la sonde.

Code affiché	Cause	Conséquences	Diagnostic et dépannage
Err W.19	Alimentation électrique discontinue	-	Vérifier l'alimentation électrique
Err P.20	Sonde de condensation défectueuse ( <i>température &lt; 0 °C ou &gt; 100 °C</i> )	Arrêt de la PAC. Chauffe par l'appoint électrique.	Vérifier les connexions et le bon positionnement de la sonde. Vérifier la valeur ohmique de la sonde. Si RAS, remplacer la sonde.
Err P.21	Sonde de température d'air extérieure défectueuse ( <i>mesure &lt; -20°C ou &gt; 70°C</i> ).	Arrêt de la PAC. Chauffe par l'appoint électrique.	Vérifier les connexions et le bon positionnement de la sonde. Vérifier la valeur ohmique de la sonde. Si RAS, remplacer la sonde.
Err P.23	Sonde d'évaporateur défectueuse de l'unité extérieure.	Arrêt de la PAC. Chauffe par l'appoint électrique.	Vérifier les connexions et le bon positionnement de la sonde. Vérifier la valeur ohmique de la sonde. Si RAS, remplacer la sonde.
Err P.25	Défaut haute pression	Arrêt de la PAC. Chauffe par l'appoint électrique.	Vérifier la connexion du pressostat et son faisceau électrique. Contrôler la pression du circuit frigo (frigorigène), circuit bouché ou présence d'incondensables.
Err P.27	Sonde de refoulement défectueuse	Arrêt de la PAC. Chauffe par l'appoint électrique.	Vérifier les connexions et le bon positionnement de la sonde. Vérifier la valeur ohmique de la sonde. Si RAS, remplacer la sonde.
Err P.29	Défaut température de refoulement	Arrêt de la PAC. Chauffe par l'appoint électrique.	Vérifier la charge. Vérifier le bon fonctionnement de l'unité extérieure et que les vannes de service sont ouvertes. Contrôler la valeur ohmique de la sonde, faire un contrôle de charge (par pesée), remplacer par du gaz neuf (risque d'incondensables). Si l'erreur persiste, il est possible que ce soit un problème compresseur.

Code affiché	Cause	Conséquences	Diagnostic et dépannage
Err P.30.1	Absence d'échange thermique ou Pompe à chaleur fonctionne en continu sans atteindre la consigne de température.	Arrêt de la PAC. Chauffe par l'appoint électrique.	Surconsommation ou boucle de recyclage ou fuite sur le réseau d'eau chaude. Manque charge : Vérifier la charge par pesée. Incondensables : changer par gaz neuf. Circuit bouché (liaisons pin-cées) : En mode froid cela ne doit pas tirer au vide. Tester le bon fonctionnement du dégivrage.
Err P.50.1	Erreur de communication entre la carte de puissance et la carte d'interface.	Arrêt de la PAC. Chauffe par l'appoint électrique.	Vérifier l'alimentation de l'unité extérieure et la carte d'interface. Vérifier les fils d'interconnexion 1 et 2. Vérifier le câble de communication entre les 2 cartes.
Err P.50.3	Erreur de communication entre l'unité extérieure et la carte d'interface.	Arrêt de la PAC. Chauffe par l'appoint électrique.	Vérifier l'alimentation de l'unité extérieure. Vérifier le fil d'interconnexion 3.
Err P.51.1	Défaut de sonde de température compresseur	Arrêt de la PAC. Chauffe par l'appoint électrique.	Vérifier la sonde compresseur
Err P.51.4	Défaut du capteur d'intensité.	Arrêt de la PAC. Chauffe par l'appoint électrique.	Vérifier la carte unité extérieure.
Err P.52.3	Surintensité compresseur	Arrêt de la PAC. Chauffe par l'appoint électrique.	Vérifier le compresseur. Vérifier la résistance des enroulements du compresseur. Vérifier le bon fonctionnement de l'unité extérieure
Err P.52.4	Synchronisation compresseur	Arrêt de la PAC. Chauffe par l'appoint électrique.	Vérifier le câblage compresseur. Vérifier que le compresseur démarre.
Err P.52.5	Défaut température de sonde compresseur	Arrêt de la PAC. Chauffe par l'appoint électrique.	Vérifier la charge. Vérifier que les vannes de service sont ouvertes.



Code affiché	Cause	Conséquences	Diagnostic et dépannage
Err P.52.6	Défaut basse pression	Arrêt de la PAC. Chauffe par l'appoint électrique.	Vérifier la charge. Vérifier que l'unité intérieure est bien raccordée sur les vannes «AIR» et le ballon sur les vannes «WATER».
Err P.52.7	Défaut général de l'unité extérieure.  Défaut vanne solénoïde	Arrêt de la PAC. Chauffe par l'appoint électrique.	Manque de compatibilité soft suite à un changement de la carte interface ou carte unité extérieure. Vérifier que la vanne reste fermée quand le service n'est pas utilisé en mode chaud. Bobine alimentée en CC pendant 2minutes maximum
Err P.52.8	Défaut PFC	Arrêt de la PAC. Chauffe par l'appoint électrique.	Carte unité extérieure à remplacer. L'erreur peut être enclenchée par des sur-tensions dues aux orages. L'erreur est réarmée par une coupure de courant.
Err P.53.1	Défaut ventilateur	Arrêt de la PAC. Chauffe par l'appoint électrique.	Vérifier que le ventilateur tourne librement. Vérifier le moteur et le câblage.
Err P.56	L'unité extérieure n'est pas la bonne version	Arrêt de la PAC. Chauffe par l'appoint électrique.	Changer l'unité extérieure.

W13.1	Pas d'association avec le hub : - il manque le hub et l'unité intérieure dans le système - ou impossibilité d'associer le hub à la première mise en service	Utilisation récurrente de l'appoint électrique du ballon pour chauffer l'eau.  Risque de manque d'eau chaude et/ou chauffage insuffisant	Vérifier que le hub est bien alimenté. Essayer de rapprocher le hub et le ballon
H.20	Défaut de communication détecté entre le hub, la clé et l'unité intérieure	Chauffage insuffisant	Vérifier que la clé est bien insérée dans l'unité intérieure. Vérifier que l'unité intérieure est bien alimentée

W13	Défaut de communication radio détecté entre le hub et le ballon	<p>Utilisation récurrente de l'appoint électrique du ballon pour chauffer l'eau.</p> <p>Risque de manque d'eau chaude et/ou chauffage insuffisant</p>	Vérifier que le hub est bien alimenté. Essayer de rapprocher le hub et le ballon
-----	---	---	--

## 16.2. Autres pannes sans affichage de codes erreurs

Panne constatée	Cause possible	Diagnostic et dépannage
Plus de chauffe Pas d'eau chaude.	<ul style="list-style-type: none"> <li>• Pas d'alimentation électrique du chauffe-eau : fusibles, câblage, etc...</li> <li>• Élément chauffant ou son câblage hors service.</li> </ul>	<ul style="list-style-type: none"> <li>• Vérifier la présence de tension sur les fils d'alimentation du chauffe- eau.</li> <li>• Vérifier si le chauffe-eau est alimenté électriquement.</li> </ul>
Quantité d'eau chaude insuffisante.	<ul style="list-style-type: none"> <li>• Sous dimensionnement du chauffe- eau.</li> <li>• Fonctionnement en mode Manuel.</li> <li>• Fuite sur le réseau eau chaude.</li> <li>• Boucle de recyclage</li> </ul>	<ul style="list-style-type: none"> <li>• Passer le produit en mode programmation, avec deux plages par jour.</li> </ul>
Eau insuffisamment chaude	<ul style="list-style-type: none"> <li>• L'alimentation principale du chauffe- eau n'est pas permanente.</li> <li>• Élément chauffant ou son câblage partiellement hors service.</li> <li>• Retour d'eau froide dans le circuit d'eau chaude.</li> <li>• Boucle sanitaire sur l'installation.</li> </ul>	<ul style="list-style-type: none"> <li>• Vérifier que l'alimentation de l'appareil soit bien permanente.</li> <li>• Vérifier la valeur ohmique de la résistance électrique ainsi que le bon état du faisceau.</li> <li>• Fermer l'arrivée d'eau froide au robinet d'arrêt du groupe de sécurité. Ouvrir ensuite un robinet en position eau chaude. Attendre 10 minutes. Si un écoulement apparaît, rechercher la robinetterie défectueuse et/ou s'assurer du bon positionnement du groupe de sécurité.</li> <li>• Supprimer la boucle.</li> </ul>

Panne constatée	Cause possible	Diagnostic et dépannage
Peu de débit au robinet d'eau chaude.	<ul style="list-style-type: none"> <li>• Filtre du groupe de sécurité encrassé.</li> <li>• Chauffe-eau entartré</li> </ul>	<ul style="list-style-type: none"> <li>• Nettoyer le filtre.</li> <li>• Détartrer le chauffe-eau.</li> </ul>
Perte d'eau en continu au groupe de sécurité hors période de chauffe.	<ul style="list-style-type: none"> <li>• Soupape de sécurité endommagée ou encrassée.</li> <li>• Pression de réseau trop élevée.</li> </ul>	<ul style="list-style-type: none"> <li>• Remplacer le groupe de sécurité.</li> <li>• Vérifier que la pression en sortie du compteur d'eau n'excède pas 0,5 MPa (5 bar) sinon, installer un réducteur de pression réglé à 0,3 MPa (3 bar) au départ de la distribution générale d'eau.</li> </ul>
L'appoint électrique ne fonctionne pas.	<ul style="list-style-type: none"> <li>• Mise en sécurité du thermostat mécanique.</li> <li>• Résistance défectueuse.</li> </ul>	<ul style="list-style-type: none"> <li>• Réarmer la sécurité du thermostat au niveau de la résistance.</li> <li>• Remplacer la résistance.</li> </ul>
Débordement des condensats ( <i>eau stagnante dans le carter bas de l'unité extérieure</i> )	<ul style="list-style-type: none"> <li>• Écoulement des condensats obstrué.</li> </ul>	<ul style="list-style-type: none"> <li>• Nettoyer.</li> </ul>
Odeur	<ul style="list-style-type: none"> <li>• Absence de siphon sur le groupe de sécurité</li> <li>• Pas d'eau dans le siphon du groupe de sécurité.</li> </ul>	<ul style="list-style-type: none"> <li>• Installer un siphon.</li> <li>• Remplir le siphon.</li> </ul>
Dégagement de vapeur au soutirage.	<ul style="list-style-type: none"> <li>• Appoint électrique alimenté en permanence.</li> </ul>	<ul style="list-style-type: none"> <li>• Couper l'alimentation électrique et prévenir l'installateur.</li> </ul>
La pompe à chaleur fonctionne en dehors des heures creuses.	<ul style="list-style-type: none"> <li>• Absence de détection du signal Heures Creuses.</li> </ul>	<ul style="list-style-type: none"> <li>• Vérifier le câblage et l'émission du signal heures creuses.</li> <li>• Modifier le paramétrage du signal Heures Creuses.</li> </ul>

Panne constatée	Cause possible	Diagnostic et dépannage
La pompe à chaleur fonctionne peu de temps, l'appoint électrique est en fonctionnement quasi permanent.	<ul style="list-style-type: none"> <li>• Température d'air en dehors des plages tolérées</li> <li>• Défaillance sonde unité extérieure</li> <li>• Évaporateur fortement encrassé</li> <li>• Présence d'incondensables</li> </ul>	<ul style="list-style-type: none"> <li>• Attendre un retour des températures à un niveau situé dans les plages tolérées</li> <li>• Prévenir l'installateur.</li> <li>• Nettoyer l'évaporateur.</li> <li>• Vider le circuit et le remplir de nouveau.</li> </ul>
Défaillance du panneau de commande ou problème d'affichage.	<ul style="list-style-type: none"> <li>• Absence d'alimentation.</li> <li>• Défaut du panneau de commande</li> <li>• Défaut de la carte de puissance.</li> </ul>	<ul style="list-style-type: none"> <li>• Contrôler l'alimentation.</li> <li>• Remplacer le panneau de commande.</li> </ul>
La pompe à chaleur ne démarre pas	Hors conditions de démarrage <ul style="list-style-type: none"> <li>• haut ballon trop chaud ;</li> <li>• conditions de fonctionnement hors plages ;</li> <li>• anti court cycle</li> </ul>	<ul style="list-style-type: none"> <li>• Fonctionnement normal. Essayer en mode Froid (moins de conditions).</li> </ul>
Pas d'affichage	<ul style="list-style-type: none"> <li>• Pas d'alimentation</li> <li>• le panneau de commande est en panne, l'eau est chauffée par l'appoint électrique en mode dégradé jusqu'à 50 °C</li> </ul>	<ul style="list-style-type: none"> <li>• Vérifier le tableau électrique</li> <li>• Vérifier les connectiques entre la carte de puissance et le panneau de commande</li> </ul>
Autres fonctionnements : Contacter le service après-vente		

Après l'entretien ou le dépannage, procédez à la vérification du bon fonctionnement du chauffe-eau.

## 17. Valeurs ohmiques des sondes en fonction des températures

### Sonde de refoulement Unité extérieure/Sonde de condensation

° C	K ohm
0	169
5	130
10	101
15	79
20	63
25	50
30	40
35	32

° C	K ohm
40	26
45	22
50	18
55	15
60	12
65	10
70	8,7
75	7,4

° C	K ohm
80	6,3
85	5,4
90	4,6
95	4
100	3,4
105	3
110	2,6
115	2,3
120	2

### Sonde d'évaporateur Unité extérieure

° C	K ohm
-30	96
-25	69
-20	50
-15	37
-10	28
-5	21
0	16
5	12

° C	K ohm
10	9,6
15	7,6
20	6
25	4,8
30	3,8
35	3,1
40	2,5
45	2,1

° C	K ohm
50	1,7
55	1,4
60	1,2
65	1
70	0,8
75	0,7
80	0,6

### Sonde d'air Unité extérieure/Sonde de doigt de gant /Sonde haut ballon

° C	K ohm
-10	62
-5	47
0	35
5	27
10	21
15	16

° C	K ohm
20	13
25	10
30	8
35	6,4
40	5,2
45	4,2

° C	K ohm
50	3,5
55	2,8
60	2,4
65	2
70	1,6
75	1,4
80	1,2

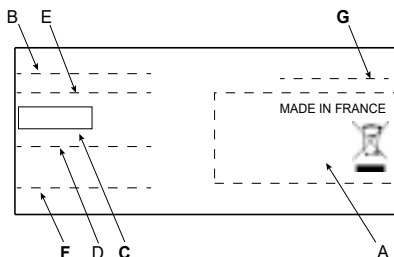
## 18. Service après-vente

Pour toute commande auprès d'un distributeur de la marque, préciser le type exact de l'appareil et son numéro de série relevés sur la plaque signalétique.

L'adresse du service après-vente est rappelée au dos de cette notice.

**Utiliser uniquement des pièces détachées d'origine constructeur.**

**Toute intervention sur les parties électriques doit être confiée à un spécialiste.**



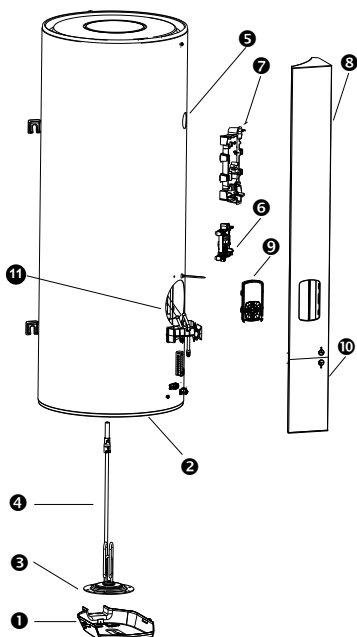
- A Normes, label de qualité
- B Marque commerciale
- C Code commercial
- D Référence de fabrication
- E Nom commercial
- F N° de série
- G N° de constructeur

Chauffe-eau : plaque située à côté du capot.

Unité Extérieure : plaque située à côté de la trappe d'accès bornier.

**L'appareil doit être mis hors tension avant l'ouverture du capot (pour l'ouverture du capot, voir : «15.2.1. Accès aux éléments du chauffe-eau», page 146).**

Les pièces détachées peuvent être commandées par le professionnel directement sur la Plateforme Services accessible sur le Site Internet de la marque.



1	Capot
2	Sécurité thermique
3	Sonde eau chaude sanitaire
4	Corps de chauffe
5	Sonde haut ballon
6	Carte de régulation
7	Carte interface Unité Extérieure
8	Capot de façade
9	Panneau de commande
10	Bouchon inférieur
11	Sonde condenseur

## 19. Caractéristiques techniques

Chauffe-eau		150 litres	200 litres
Dimensions	mm	H 1177 x l 567 x P 586	H 1497 x l 567 x P 586
Poids à vide	kg	53	63
Capacité de la cuve	L	150	200
Raccordement eau chaude / eau froide	"	3/4	3/4
Raccordement liaison frigorifique	"	3/8 & 1/4, type Flare	3/8 & 1/4, type Flare
Protection anti-corrosion		ACI hybride	ACI hybride
Conductivité minimale de l'eau	µS/cm	40	40
Pression d'eau assignée	MPa / bar	0,8 / 8	0,8 / 8

Unité extérieure		modèle SANI Split	modèle compatible SaniClim
Dimensions	mm	H 535 x l 735 x P 330	H 542 x l 867 x P 353
Raccordement liaison frigorifique	"	3/8 & 1/4, type Flare	3/8 & 1/4, type Flare
Masse	kg	24	32

Unité intérieure		modèle SaniClim 7	modèle SaniClim 9	modèle SaniClim 12
Dimensions	mm	H 270 x l 834 x P 222		
Raccordement liaison frigorifique	"	3/8		
Masse	kg	10		

### Caractéristiques principales :

P. frigo nominale (min./max)	W	2 000 (1524/3200)	2 500 (1530/3300)	3 400 (1530/3500)
P. calo nominale (min./max.)	W	2500 (1276/5200)	2800 (1280/5400)	4 000 (1339/5700)
P. calo à -7°C***	W	3900	4100	4100
P.abs nominale en froid	W	400	565	895
P.abs nominale en chaud	W	500	590	960
Débit d'air (U.int.) PV/GV en chaud	m3/h	330/720	330/750	330/780
Débit d'air max (u.ext) GV en chaud	m3/h	1540	1540	1680

Unité intérieure		modèle SaniClim 7	modèle SaniClim 9	modèle SaniClim 12
Débit d'air (U.int.) PV/GV en froid	m3/h	320/650	320/700	320/700
Débit d'air max (u.ext) GV en froid	m3/h	1590	1590	1760
<i>Performances climatisation chauffage :</i>				
EER / SEER average climate		5.00 / 7.40	4.42 / 7.40	3.80 / 7.30
COP / SCOP average climate		5.00 / 4.60	4.79 / 4.70	4.17 / 4.70
SCOP warmer climate		5	5,10	5,10
Pression acoustique (U. int.) PV/GV (froid)	dB(A)	22 / 38	22 / 40	22 / 40
Puissance acoustique (u. int.) (froid)	dB(A)	54	55	55
Pression acoustique (u. ext.) (froid)	dB(A)	47	47	50
Puissance acoustique (u. ext.) (froid)	dB(A)	58	58	60
Pression acoustique (U. int.) PV/GV (chaud)	dB(A)	22/41	22/42	22/42
Puissance acoustique (u. int.) (chaud)	dB(A)	56	57	58
Pression acoustique (u. ext.) (chaud)	dB(A)	47	47	50
Puissance acoustique (u. ext.) (chaud)	dB(A)	60	60	62
<i>Plage de fonctionnement :</i>				
Chaud	°C	-15 à 24	-15 à 24	-15 à 24
Froid	°C	-10 à 46	-10 à 46	-10 à 46



Système assemblé		modèle SANI Split	modèle compatible SaniClim
Raccordement électrique (tension / fréquence)		230 V monophasé 50 Hz	230 V monophasé 50 Hz
Puissance maxi totale absorbée par l'appareil	W	3250	3630
Puissance absorbée par la PAC	W	1450	1830
Puissance absorbée par l'appoint électrique	W	1800	1800
Longueur de la liaison frigorifique minimale	m	5	5
Longueur de liaison frigorifique maximale sans complément de charge	m	15	15
Longueur de liaison frigorifique maximale avec complément de charge	m	20	Complément interdit 15 m maxi
Dénivelé maxi entre le point le plus haut et le point le plus bas du circuit frigorifique	m	15	15
Plage de réglage de la consigne de température de l'eau	°C	50 à 55	50 à 55
Plage de température d'utilisation de la pompe à chaleur	°C	-15 à 37	-15 à 37
Charge initiale en fluide frigorigène	kg	0,700	0,800
Équivalent CO2	t.eq. CO2	0,47	0,54
Charge en fluide rapportée au volume d'eau	kg/L	150 l : 0,0047 200 l : 0,0035	150 l : 0,004 200 l : 0,005
GWP du gaz utilisé	-	675	675

Performances certifiées à 7° C d'air (CDC LCIE 103-15/D)		modèle SANI Split		modèle compatible SaniClim	
		150 litres	200 litres	150 litres	200 litres
Coefficient de performance (COP)*	-	3,09	3,07	3,08	3,06
Puissance absorbée en régime stabilisée (Pes)*	W	17	18	20	22
Temps de chauffe (tr)*	h.mn	02.22	02.59	01.54	02.35
Température de référence (Tref)*	°C	52,9	54,1	52,9	53,6
Profil de soutirage	-	L	L	L	L

<i>Quantité max. d'eau mélangée à 40° C (V40)*</i>	L	202,2	268,9	199,1	267,6
<i>V40td (8 h HC)</i>	L	234,7	303,3	231,88	303,0
<i>Efficacité énergétique (nwh)*</i>	%	127	126	127	126

\* Performances mesurées en mode sortie usine manuel ECO de 10°C à 55°C pour le 150L et de 10°C à 54°C pour le 200L à pression atmosphérique selon le cahier des charges NF Electricité Performance du LCIE N°103-15/D, des chauffe-eau thermodynamiques autonomes à accumulation (basé sur la norme EN 16147).

\*\*Testé en chambre réverbérante, selon le protocole défini par la norme EN12102-2.

\*\*\*Puissance max hors cycle de dégivrage

## 20. Déclaration de conformité

Cet appareil est conforme aux directives suivantes :

- 2014/35/UE concernant la basse tension
- 2014/53/UE concernant la RED (Radio Equipment Directive)
- 2014/30/UE concernant la compatibilité électromagnétique (CEM)
- 2011/65/UE, 2015/863/UE, 2017/2102/UE concernant la limitation des substances dangereuses (RoHS)
- 2013/814/UE complétant la directive 2009/125/CE Ecoconception

Déclare que les essais concernant la directive basse tension sont effectués selon les normes ci-dessous :

Appareils électrodomestiques et analogues - Sécurité :	EN 60335-1 : 2012 + A11 : 2014 + A12 : 2017 + A13 : 2017 + A1 : 2019 + A2 : 2019 + A14 : 2019 + A15 : 2021 EN 60335-2-21 : 2021 + A1 : 2021 EN 60335-2-40 : 2003 + A1 : 2006 + A2 : 2009 + A11 : 2004 + A12 : 2005 + A13 : 2012 EN 62233 : 2008
--	--

Déclare que le produit est conforme aux exigences essentielles de la directive RED 2014/53/UE, selon la désignation ci-dessous :

Pour SANI Split:

Désignation :	HM009 SF HWNM01 DHW
Type :	EMETTEUR-RECEPTEUR RADIO WIFI 2400 A 2483,5 MHz
Puissance max de l'antenne :	20 dBm

Pour le système SaniClim :

Désignation :	HM009 SF HWNM02 DHW
Type :	EMETTEUR-RECEPTEUR RADIO WIFI ET ZIGBEE 2400 A 2483,5 MHz
Puissance max de l'antenne :	20 dBm

La déclaration de conformité UE complète de cet équipement est disponible sur demande, auprès de notre service après-vente (voir adresse, n° de tél en fin de notice ou sur le site Internet : [https://www.generalbenelux.com/fr\\_be/infotheque/telechargements/](https://www.generalbenelux.com/fr_be/infotheque/telechargements/)).

Déclare que les essais radios essentiels ont été effectués, selon les normes ci-dessous :

Compatibilité électromagnétique :	EN 301489-17 : 2020
Utilisation efficace du spectre radioélectrique :	EN 300328 : 2020
Année d'apposition du marquage CE :	2023

## 21. Garantie

### 21.1. Champ d'application de la garantie

Sont exclues de cette garantie les défaillances dues à :

#### **Des conditions d'environnement anormales :**

- Dégâts divers provoqués par des chocs ou des chutes au cours des manipulations après départ usine.
- Positionnement de l'appareil dans un endroit soumis au gel ou aux intempéries (ambiances humides, agressives ou mal ventilées).
- Utilisation d'une eau présentant des critères d'agressivité tels que ceux définis par le DTU Plomberie 60-1 additif 4 eau chaude (taux de chlorures, sulfates, calcium, résistivité et TAC).
- Eau présentant un TH < 8° f.
- Pression d'eau supérieure à 0,5 MPa (5 bar).
- Alimentation électrique présentant des surtensions importantes (*réseau, foudre...*).
- Dégâts résultant de problèmes non décelables en raison du choix de l'emplacement (*endroits difficilement accessibles*) et qui auraient pu être évités par une réparation immédiate de l'appareil.

#### **Une installation non conforme à la réglementation, aux normes et aux règles de l'art, notamment :**

- Groupe de sécurité déporté ou rendu inopérant (*réducteur de pression, clapet anti-retour ou vanne, ..., placés entre le chauffe-eau et le groupe de sécurité*).
- Absence ou montage incorrect d'un groupe de sécurité neuf et conforme à la norme NF EN 1487, modification de son tarage...
- Absence de manchons (*fonte, acier ou isolant*) sur les tuyaux de raccordement eau chaude pouvant entraîner sa corrosion.
- Raccordement électrique défectueux : non conforme à la NFC 15-100, mise à la terre incorrecte, section de câble insuffisante, raccordement en câbles souples sans embouts métal, non respect des schémas de raccordements prescrits par le Constructeur.
- Mise sous tension de l'appareil sans remplissage préalable (chauffe à sec).
- Positionnement de l'appareil et/ou de l'unité extérieure non conforme aux consignes de la notice.
- Corrosion externe suite à une mauvaise étanchéité sur la tuyauterie.
- Installation de l'appareil dans une boucle sanitaire.
- Paramétrage incorrect.
- Liaison frigorifique hors préconisation (section, longueur ou dénivelé).

#### **Un entretien défectueux :**

- Entartrage anormal des éléments chauffants ou des organes de sécurité.
- Non entretien du groupe de sécurité se traduisant par des surpressions.
- Non nettoyage de l'évaporateur ainsi que de l'évacuation des condensats.
- Modification des équipements d'origine, sans avis du constructeur ou emploi de pièces détachées non référencées par celui-ci.

## 21.2. Conditions de garantie

Le chauffe-eau doit être installé par une personne habilitée conformément aux règles de l'art, aux normes en vigueur et aux prescriptions de nos services techniques.

Il sera utilisé normalement et régulièrement entretenu par un personnel formé et qualifié uniquement.

Dans ces conditions, notre garantie s'exerce par échange ou fourniture gratuite à notre Distributeur ou Installateur des pièces reconnues défectueuses par nos services, ou le cas échéant de l'appareil, à l'exclusion des frais de main d'oeuvre, des frais de transport ainsi que toute indemnité et prolongation de garantie.

Notre garantie prend effet à compter de la date de pose (*facture d'installation faisant foi*), en l'absence de justificatif, la date de prise en compte sera celle de fabrication indiquée sur l'étiquette signalétique du chauffe-eau majorée de six mois.

La garantie de la pièce ou du chauffe-eau de remplacement (*sous garantie*) cesse en même temps que celle de la pièce ou du chauffe-eau remplacé.

NOTA : Les frais ou dégâts dus à une installation défectueuse (*gel, groupe de sécurité non raccordé à l'évacuation des eaux usées, absence de bac de rétention, par exemple*) ou à des difficultés d'accès ne peuvent en aucun cas être imputés au fabricant.

Les dispositions des présentes conditions de garantie ne sont pas exclusives du bénéfice au profit de l'acheteur, de la garantie légale pour défauts et vices cachés qui s'appliquent en tout état de cause dans les conditions des articles 1641 et suivants du code civil.

**La défaillance d'un composant ne justifie en aucun cas le remplacement de l'appareil. Procéder alors au remplacement de la pièce défectueuse.**

La fourniture des pièces détachées indispensables à l'utilisation de nos produits est assurée pendant une période de 10 ans à compter de la date de fabrication de ces derniers.

Pour des informations sur les conditions et les périodes de garantie, veuillez-vous référer aux conditions générales.



**Un appareil présumé à l'origine d'un sinistre doit rester sur place à la disposition des experts, le sinistré doit informer son assureur.**

### ⇨ FIN DE VIE :

Avant démontage de l'appareil mettre celui-ci hors tension et procéder à sa vidange.

La combustion de certains composants peut dégager des gaz toxiques, ne pas incinérer l'appareil.

En fin de vie, l'appareil doit être apporté dans un centre de tri pour appareils électriques et électroniques équipé pour la récupération de fluide. Pour en savoir plus sur les centres de collecte des déchets existants, adressez-vous au service local de collecte.

Le fluide frigorigène présent dans l'appareil ne doit en aucun cas être rejeté dans l'atmosphère. Toute opération de dégazage est formellement interdite.



Avertissements

Installation

Utilisation



# thercon

Thercon nv  
Langlaarsteenweg 166, 2630 Aartselaar  
+32 (0)3 451 24 24  
**info@thercon.be**